

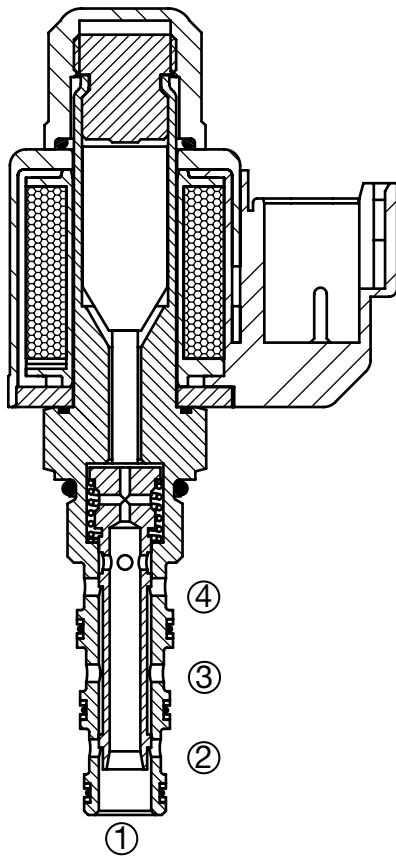
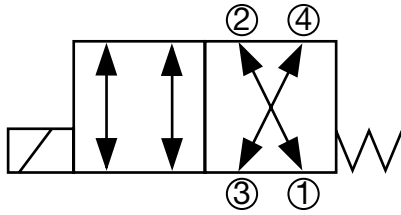
# SOLENOID VALVES

## WK06Y-01

### Spool Type, Direct Acting

Up to 2 gpm (7.6 l/min) • 5000 psi (350 bar)

#### Hydraulic Symbol



#### Description

A screw-in cartridge, solenoid operated, 4 way 2 position, direct acting, spool type valve.

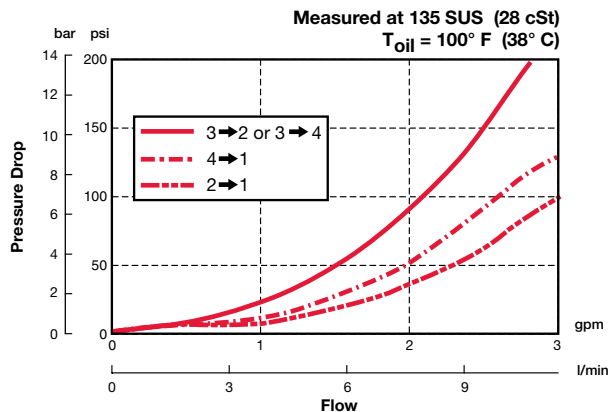
#### Operation

When de-energized the WK06Y allows flow from port 2 to port 1 bi-directionally and port 3 to port 4 bi-directionally. When energized the spool shifts and opens flow from port 2 to port 3 bi-directionally and from port 4 to port 1

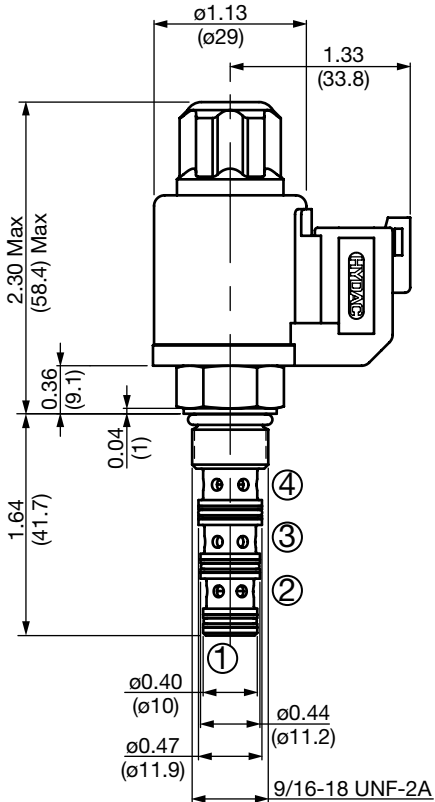
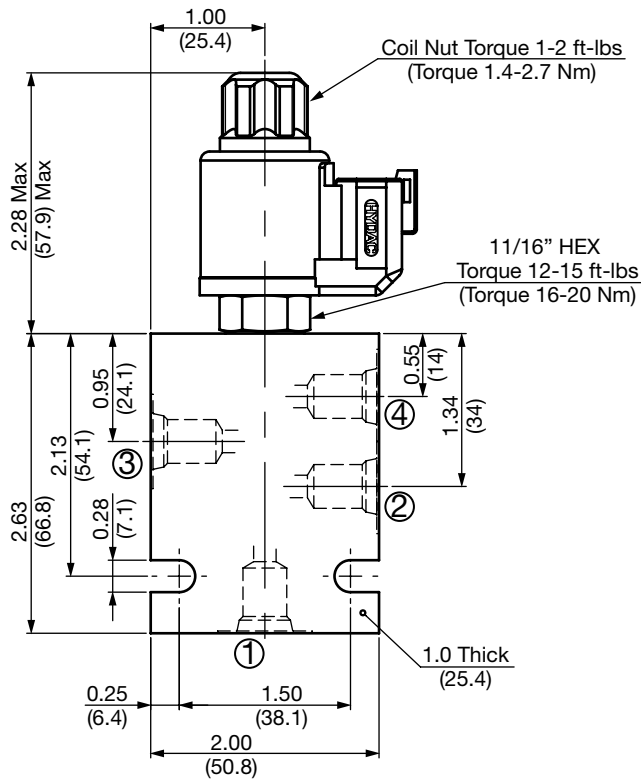
#### Specifications

Operating Pressure	5000 psi (350 bar)
Nominal Flow	2 gpm (7.6 l/min)
Nominal Pressure	Up to 5000 psi. (350 bar), 3000 psi (207 bar) max on tank (port 1)
Internal Leakage	6.0 cu in/min. at 3000 psi and 135 SUS (100 cc/min at 207 bar and 38 cSt)
Fluid Operating Temp. Range	-20° to 248°F (-29° to 120°C)
Ambient Temperature Range	-20° to 140°F (-29° to 60°C)
Coil Duty Rating	Continuous from 85% to 115% of nominal voltage
Current Draw at 68°F (20°C)	984 mA at 12VDC; 492 mA at 24VDC
Min. Pull-in Current to Operate Valve	70% of nominal amperage
Typical Response Time (Varies with Pressure and Flow)	On: 30 to 60 ms Off: 20 to 40 ms
Fluid Compatibility	Mineral-Based or Synthetics with lubricating properties.
Viscosity	50 to 2000 SUS (7.4 to 420 cSt)
Filtration	21/19/16 or cleaner per (ISO 4406)
Installation	No orientation restrictions
Cavity	FC06-4 (see <i>Line Bodies &amp; Cavities</i> section)
Cavity Tools	Rougher: 02582057 Finisher: 02582058
Cartridge Weight	3.6 oz (102 grams)
Coil Weight	3.1 oz (88 grams)
Cartridge Material	Steel with hardened work surfaces. Zinc plated exposed surfaces. Buna N or Viton® o-rings. Solid thermoplastic polyester back-up rings.
Coil Material	Class N, 200°C high temperature magnet wire, steel shell, polyester encapsulation.
Seal Kits	Buna-N FS064-N P/N: 02610188 Viton® FS064-V P/N: 02610189

#### Performance



## Dimensions



All measurements in inches (mm).  
Subject to technical modifications

PN#02087369 / 10.19 / CHD1110-1389

## Model Code

**WK06Y-01 M-C-N-24 DN**

### Valve Model

### Override Option

- blank = No manual override
- M = Manual override, push type  
(for availability consult factory)

### Body & Ports

- C = Cartridge only
- AS4 = SAE-4 Ports, aluminum body
- SS4 = SAE-4 Ports, steel body

### Seals

- N = Buna-N
- V = Viton®

### Coil Voltage

- 0 = No coil, cartridge only
- DC 12 = 12 VDC
- DC 24 = 24 VDC
- AC 115 = 105 VDC (only available with connector DG)
- AC 230 = 205 VDC (only available with connector DG)

(All model 32-1329 coils are DC. AC models require an external diode bridge mounted outside the coil)\*\*

### Coil Connector

- DC DG = EN 175301-803-B (IP65 Rated)\*\*
- DC DL = Leadwires (2) - 18" long (46 cm) AWG18, TYPE UL 1815 (IP69K Rated)\*
- DN = Deutsch DT04-2P integral molded (IP69K Rated)\*

Use mating plug EN 175301-803-B without diode bridge for DC voltages P/N 02600570

Use mating plug EN 175301-803-B w/diode bridge for AC voltages P/N 02600582

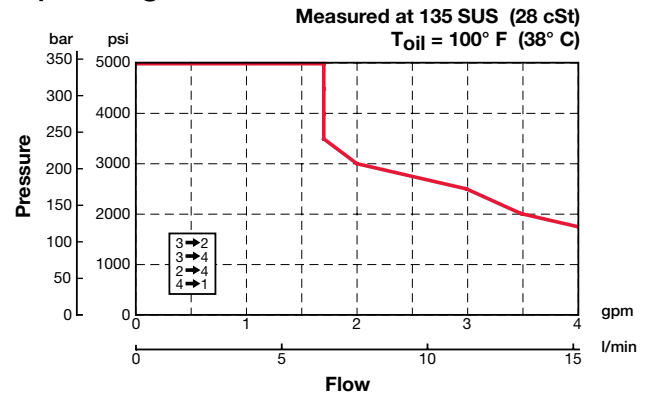
### Coil Model 32-1329

For other coil connector types consult factory

\*\* Mating Plugs sold separately

\*Coils with internal transient suppression diode are available, consult factory.

## Operating Limits



## Standard Line Bodies\*

Code	Part No	Material	Pressure Rating	Weight
FH064-AS4	02600462	Aluminum, anodized	3500 psi (245 bar)	0.43 lbs (0.20 kg)
FH064-SS4	02600461	Steel, zinc plated	6000 psi (420 bar)	1.25 lbs (0.57 kg)

\*Please refer to Line Bodies & Cavities section for details