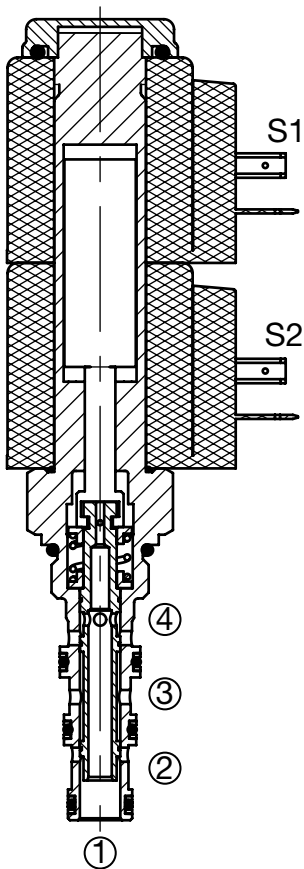


# SOLENOID VALVES

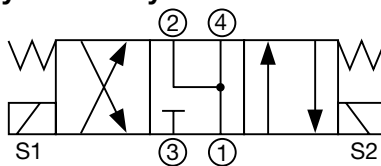
## WK08J-01

### Spool Type, Direct Acting

Up to 5 gpm (19 l/min) • 5000 psi (350 bar)



### Hydraulic Symbol



### Description

A screw-in cartridge, solenoid operated, 4-way, 3 position, direct acting, spool type valve.

### Operation

When de-energized the WK08J allows flow from cylinder ports 2 and 4 to port 1, port 3 is blocked. When coil S1 is energized the spool shifts and allows flow from port 2 to port 1 and from port 3 to port 4. When coil S2 is energized the spool shifts and allows flow from port 4 to port 1 and from port 3 to port 2.

**Operation of Manual Override Option:** To override, twist knurled screw and push or pull to shift spool.

Detented version - twist again after pushing/pulling to hold position.

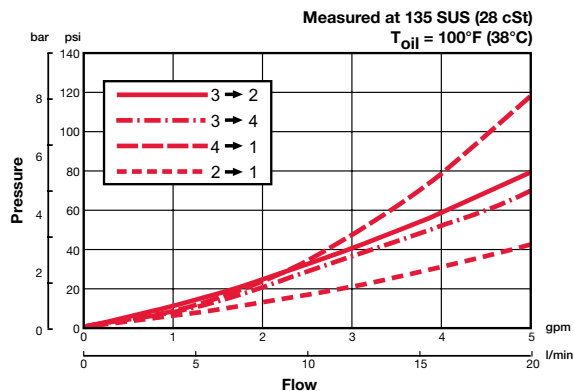
### Features

- Push/pull type manual override button, detented manual override option.
- High flow capacity

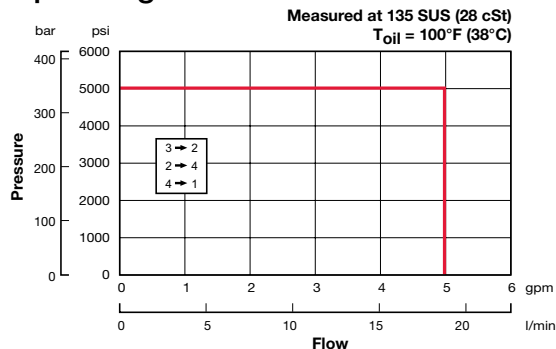
### Specifications

Operating Pressure	5000 psi (350 bar)
Nominal Flow	5 gpm at 3000 psi (20 l/min@ 210 bar)
Internal Leakage	10 cu in/min. at 3000 psi and 158 SUS (160 cc/min at 210 bar and 34 cSt)
Fluid Operating Temp Range	-20° to 248°F (-29° to 120°C)
Ambient Temperature Range	-20° to 140°F (-29° to 60°C)
Coil Duty Rating	Continuous from 85% to 115% of nominal voltage
Current Draw at 68°F (20°C)	1.5 A at 12VDC; 0.8 A at 24VDC
Minimum Pull-in Current	75% of nominal amperage
Typical Response Time (Varies with Pressure and Flow)	On: 30 to 60 ms Off: 20 to 40 ms
Fluid Compatibility	Mineral-Based or Synthetics with lubricating properties
Viscosity	50 to 2000 SUS (7.4 to 420 cSt)
Filtration	21/19/16 or cleaner per (ISO 4406)
Installation	No orientation restrictions
Cavity	FC08-4 (see Line Bodies & Cavities section)
Cavity Tools	Rougher: 02580088 Finisher: 02580089
Cartridge Weight	0.6 lbs (0.27 kg)
Coil Weight	2 x 0.42 lbs (2 x 0.19 kg)
Cartridge Material	Steel with hardened work surfaces. Zinc plated solenoid tube surface. Buna N or Viton® o-rings. Solid thermoplastic polyester back-up rings.
Coil Material	Class N high temperature magnet wire, steel shell, polyamid encapsulation.
Seal Kits	Buna-N FS084-N P/N: 03071272 Viton® FS084-V P/N: 03071273

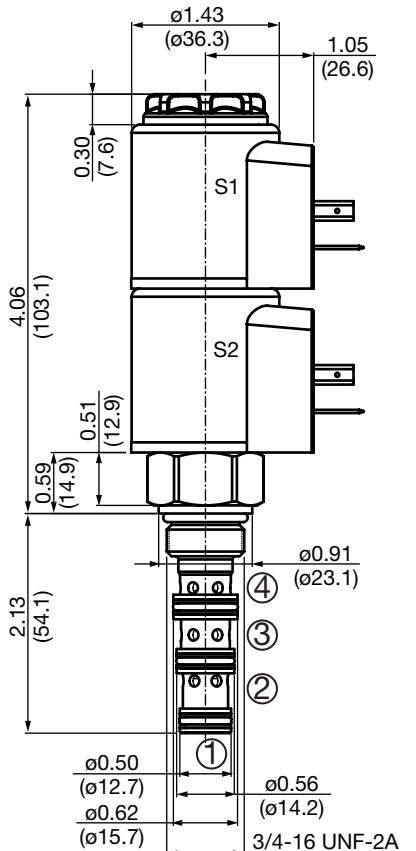
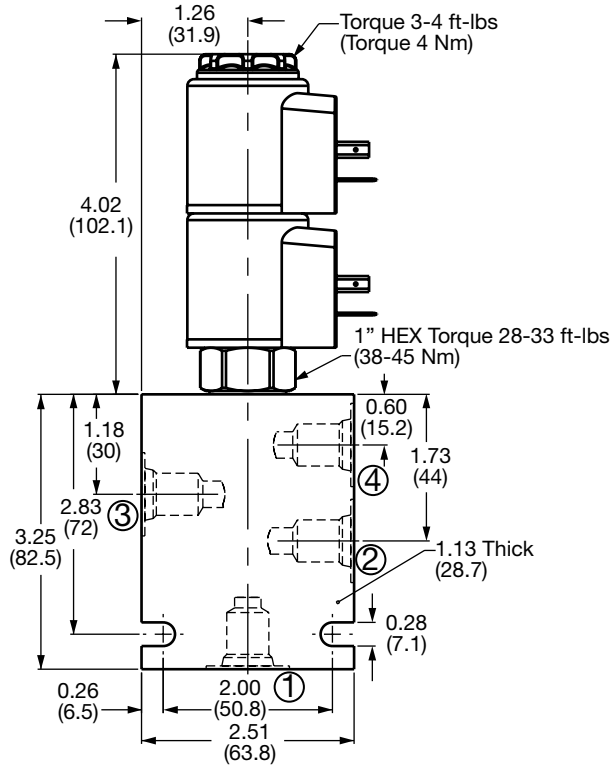
### Performance



### Operating Limits



## Dimensions



All measurements in inches (mm).  
Subject to technical modifications

## Model Code

**WK08J-01-M-C-N-24 DN**

Valve Model

Override Option

- (omit) = No manual override
- M = Push/pull type, not detented
- A = Push/pull type, detented

Body & Ports

- C = Cartridge only
- AS6 = SAE-6 ports, aluminum body
- SS6 = SAE-6 ports, steel body

Seals

- N = Buna-N
- V = Viton®

Coil Voltage

- 0 = No coil, cartridge only
- DC 12 = 12 VDC
- 24 = 24 VDC
- 36 = 36 VDC
- 110 = 110 VDC (only available with connector DG)
- AC 24 = 24 VAC
- 115 = 115 VAC
- 230 = 230 VAC

Coil Connector

- DC DG = EN 175301-803-A
- DS = Dual spade (SAEJ858a)\*
- DL = Leadwires (2) - 18" long (46 cm)\*
- DW = WeatherPak™ on leadwires - 9.5" long (24 cm)\*
- DN = Deutsch™ DT04-2P, molded, axial (IP69K Rated)\*
- DT = Amp Junior Timer™, molded, radial mount\*

AC AG = EN 175301-803-A

Coil Model 40-1836, 2 per assembly

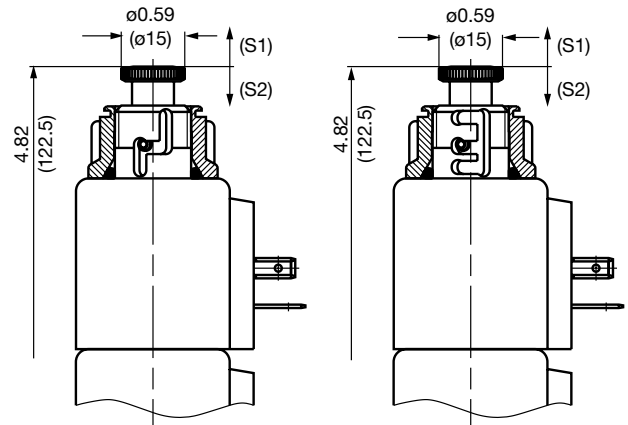
For other coil connector types consult factory

\*Coils with internal diode are available, consult factory

## Manual Override Options

Option M - Non Detented

Option A - Detented



## Standard Line Bodies\*

Code	Part No	Material	Pressure Rating	Weight
FH084-AS6	03011404	Aluminum, anodized	3500 psi (245 bar)	0.72 lb (0.33 kg)
FH084-SS6	00563381	Steel, zinc plated	6000 psi (420 bar)	2.12 lb (0.96 kg)

\*Please refer to Line Bodies & Cavities section for details