

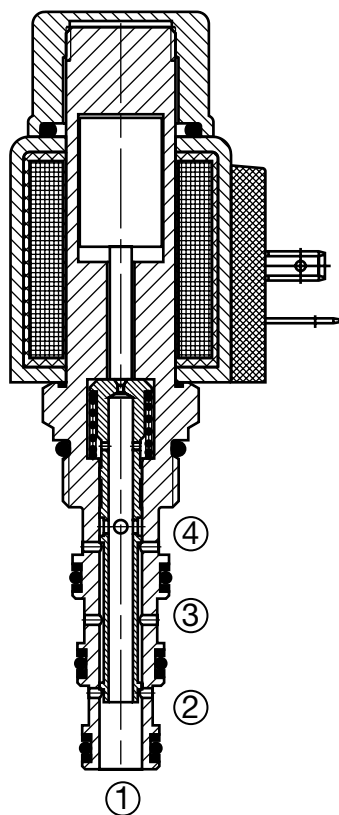
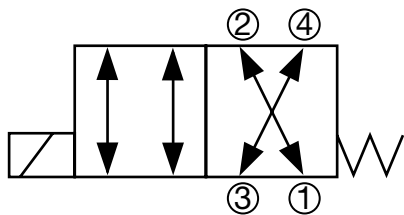
SOLENOID VALVES

WK08Y-01

Spool Type, Direct Acting

Up to 5 gpm (19 l/min) • 5000 psi (350 bar)

Hydraulic Symbol



Description

A screw-in cartridge, solenoid operated, 4-way, 2 position, direct acting, spool type valve.

Operation

When de-energized the WK08Y allows flow from port 2 to port 1 bi-directionally and port 3 to port 4 bi-directionally. When energized the spool shifts and opens flow from port 2 to port 3 bi-directionally and from port 4 to port 1.

Operation of Manual Override Option: To override, push and hold the override button. The override is not detented. The manual override option is intended for emergency use, not for continuous duty operation.

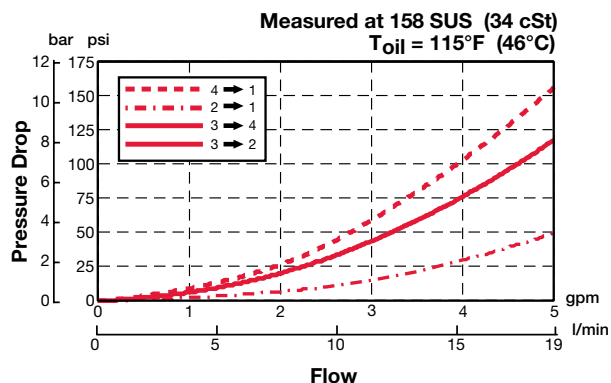
Features

- Push type manual override button, protected by rubber cap

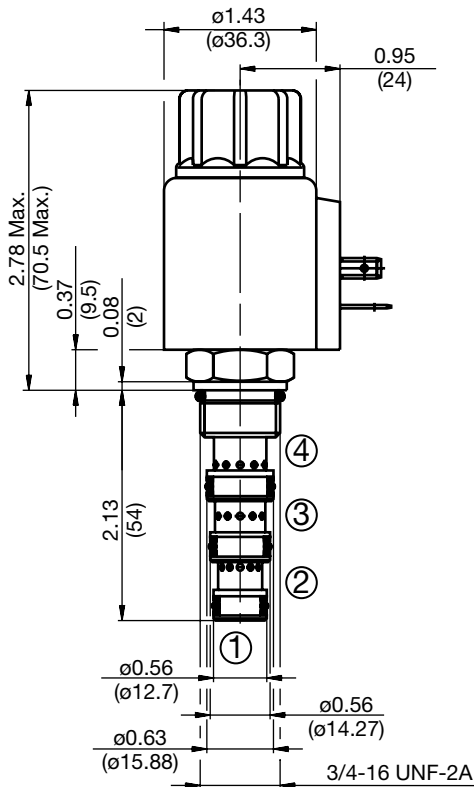
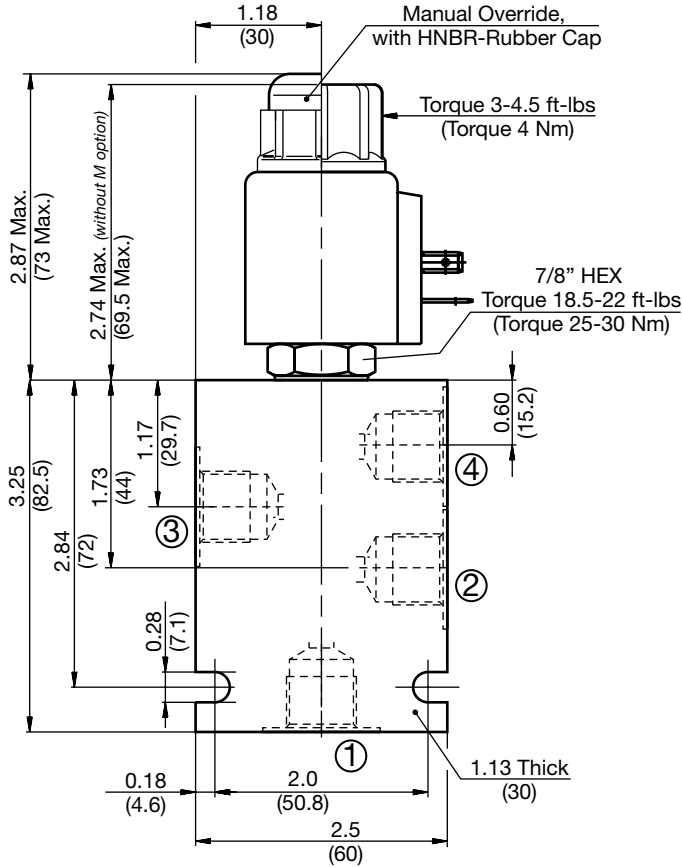
Specifications

Operating Pressure	5000 psi (350 bar)
Nominal Flow	5 gpm at 3600 psi (19 l/min at 250 bar)
Internal Leakage	5 cu in/min. at 3600 psi and 158 SUS (82 cc/min at 250 bar and 34 cSt)
Fluid Operating Temp. Range	-4° to 248°F (-20° to 120°C) <i>(Consult factory for usage at temp. outside range.)</i>
Ambient Temperature Range	-4° to 140°F (-20° to 60°C)
Coil Duty Rating	Continuous from 85% to 115% of nominal voltage
Current Draw @ 68°F (20°C)	1.5 A at 12VDC; 0.8 A at 24VDC
Min. Pull-in Voltage @ 68°F (20°C)	85% of nominal @ 5000 psi (350 bar)
Fluid Compatibility	Mineral-based or synthetics with lubricating properties
Viscosity	50 to 2000 SUS (7.4 to 420 cSt)
Filtration	21/19/16 or cleaner (per ISO 4406). Use with filter rated B10 ≥ 200.
Installation	No orientation restrictions
Cavity	FC08-4 (see <i>Line Bodies & Cavities</i> section)
Cavity Tools	Rougher: 02580088 Finisher: 02580089
Cartridge Weight	0.42 Lbs. (0.19 kg)
Coil Weight	0.42 Lbs. (0.19 kg)
Cartridge Material	Steel with hardened work surfaces. Zinc-plated exposed surfaces. Buna N or Viton® o-rings. PTFE back-up rings.
Coil Material	Class N high temperature magnet wire, steel shell, polyamid encapsulation.
Seal Kits	Buna-N P/N: 03071272 Viton® P/N: 03071273

Performance



Dimensions



All measurements in inches (mm).
Subject to technical modifications

Model Code

WK08Y-01 M-C-N-24 DN

Valve Model

Override Option

blank = No manual override
M = Manual override, push type

Body & Ports

C = Cartridge only
AS6 = SAE-6 Ports, aluminum body
SS6 = SAE-6 Ports, steel body

Seals

N = Buna-N
V = Viton®

Coil Voltage

0 = No coil, cartridge only

DC

12 = 12 VDC
24 = 24 VDC
36 = 36 VDC
110 = 110 VDC (only available with connector DG)

AC

24 = 24 VAC
115 = 115 VAC (AC coils internally full wave rectified)
230 = 230 VAC

Coil Connector

DC DG = EN 175301-803-A
DS = Dual spade (SAEJ858a)*
DL = Leadwires (2) - 18" long (46 cm)*
DW = WeatherPak™ on leadwires - 9.5" long (24 cm)*
DN = Deutsch™ DT04-2P, molded, axial (IP69K Rated)*
DT = Amp Junior Timer™, molded, radial mount*

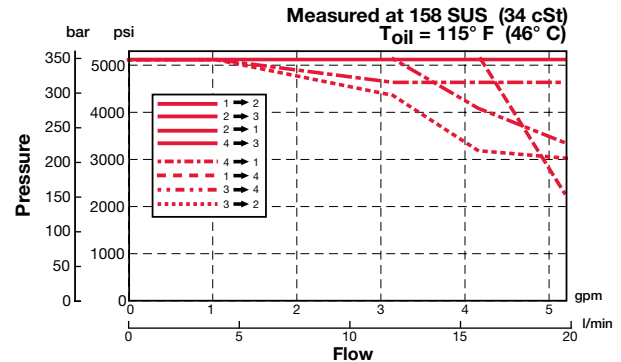
AC AG = EN 175301-803-A

Coil Model 40-1836

For other coil connector types consult factory

*Coils with internal diode are available, consult factory.

Operating Limits



Standard Line Bodies*

Code	Part No	Material	Pressure Rating	Weight
FH084-AS6	03011404	Aluminum, anodized	3500 psi (245 bar)	0.72 lbs (0.33 kg)
FH084-SS6	00563381	Steel, zinc plated	6000 psi (420 bar)	2.12 lbs (0.96 kg)

*Please refer to Line Bodies & Cavities section for details