

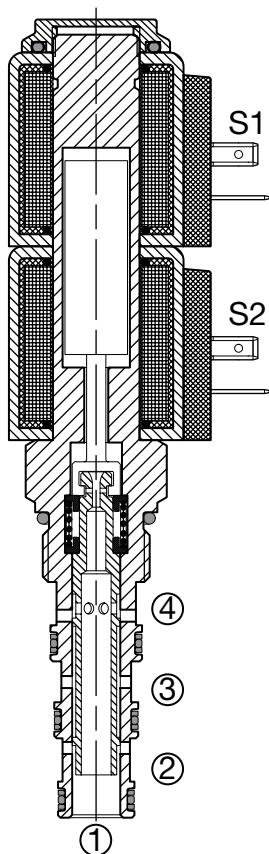
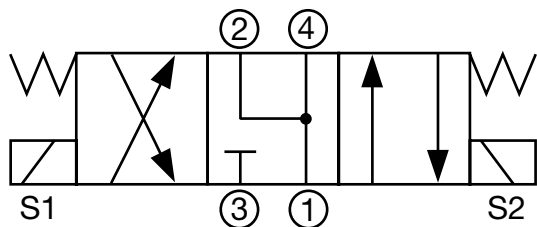
SOLENOID VALVES

WK10J-01

Spool Type, Direct Acting

Up to 6 gpm (23 l/min) • 5000 psi (350 bar)

Hydraulic Symbol



Description

A screw-in cartridge, solenoid operated, 4-way, 3 position, direct acting, spool type valve.

Operation

When de-energized the WK10J allows flow from cylinder ports 2 and 4 to port 1, port 3 is blocked. When coil S1 is energized the spool shifts and allows flow from port 1 to port 2 and from port 3 to port 4. When coil S2 is energized the spool shifts and allows flow from port 4 to port 1 and from port 3 to port 2.

Operation of Manual Override Option: To override, twist knurled screw and push or pull to shift spool.

Detented version - twist again after pushing/pulling to hold position.

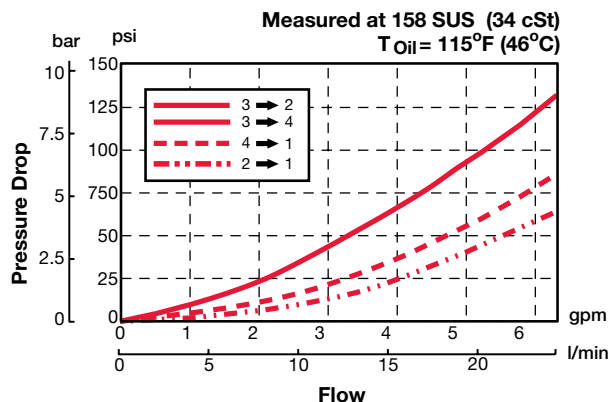
Features

- Push/pull type manual override button, detented manual override option.

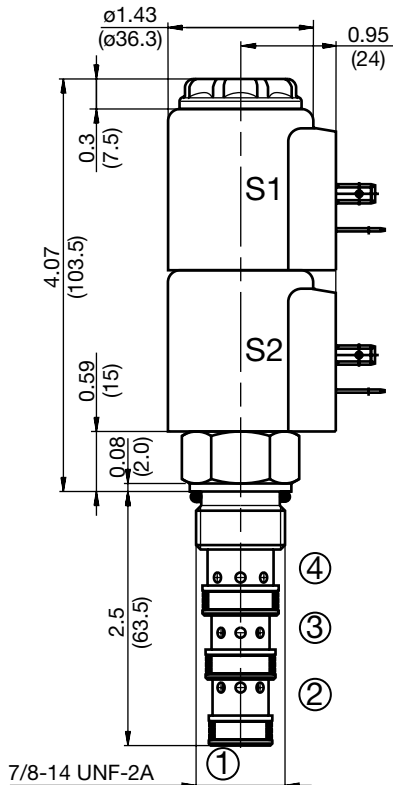
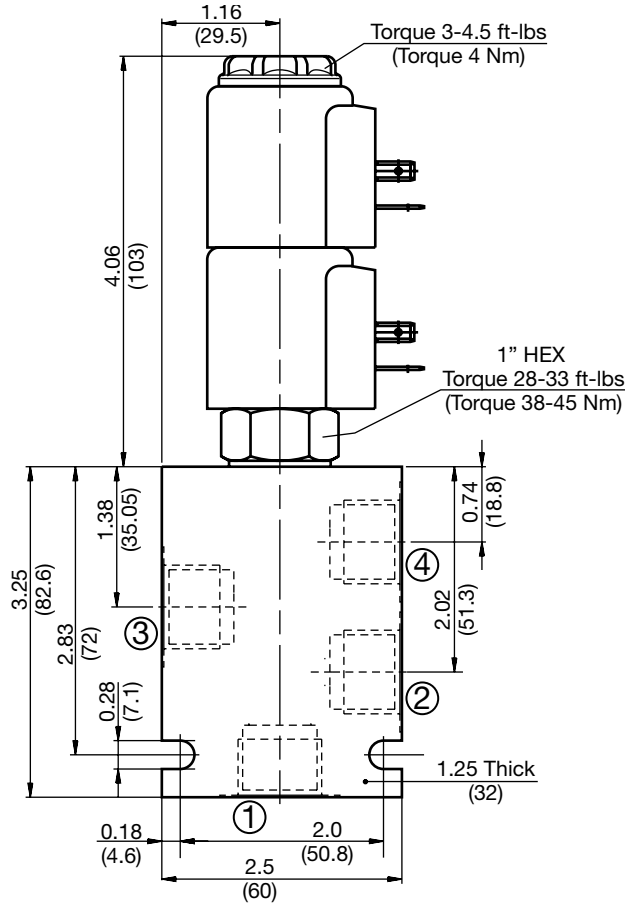
Specifications

Operating Pressure	5000 psi (350 bar)
Nominal Flow	6 gpm at 3000 psi (23 l/min at 210 bar) <i>Consult factory for flow rating above 3000 psi (210 bar)</i>
Internal Leakage	10 cu in/min. at 3000 psi and 158 SUS (160 cc/min at 210 bar and 34 cSt)
Fluid Operating Temp. Range	-4° to 248°F (-20° to 120°C) <i>(Consult factory for usage at temp. outside range.)</i>
Ambient Temperature Range	-4° to 140°F (-20° to 60°C)
Coil Duty Rating	Continuous from 85% to 115% of nominal voltage
Current Draw at 68°F (20°C)	1.5 A at 12VDC; 0.8 A at 24VDC
Minimum Pull-in Current	90% of nominal @ 5000 psi (350 bar)
Fluid Compatibility	Mineral-based or synthetics with lubricating properties
Viscosity	50 to 2000 SUS (7.4 to 420 cSt)
Filtration	21/19/16 or cleaner (per ISO 4406). Use with filter rated $\beta_{10} \geq 200$.
Installation	No orientation restrictions
Cavity	FC10-4 (see <i>Line Bodies & Cavities</i> section)
Cavity Tools	Rougher: 02580248 Finisher: 02580249
Cartridge Weight	0.64 lbs (0.29 kg)
Coil Weight	0.42 lbs (0.19 kg) - 2 coils required
Cartridge Material	Steel with hardened work surfaces. Zinc-plated exposed surfaces. Buna N or Viton® o-rings. PTFE back-up rings.
Coil Material	Class H high temperature magnetwire, steel shell, polyamide encapsulation.
Seal Kits	Buna-N FS104-N P/N: 03051912 Viton® FS104-V P/N: 03071275

Performance



Dimensions



Model Code

WK10J-01-M-C-N-24 DN

Valve Model

Override Option

- (omit) = No manual override
- M = Push/pull type, not detented
- A = Push/pull type, detented

Body & Ports

- C = Cartridge only
- AS8 = SAE-8 ports, aluminum body
- SS8 = SAE-8 ports, steel body

Seals

- N = Buna-N
- V = Viton®

Coil Voltage

- 0 = No coil, cartridge only
- DC 12 = 12 VDC
- 24 = 24 VDC
- 36 = 36 VDC
- 110 = 110 VDC (only available with connector DG)
- AC 24 = 24 VAC
- 115 = 115 VAC
- 230 = 230 VAC

Coil Connector

- DC DG = EN 175301-803-A
- DS = Dual spade (SAEJ858a)*
- DL = Leadwires (2) - 18" long (46 cm)*
- DW = WeatherPak™ on leadwires - 9.5" long (24 cm)*
- DN = Deutsch™ DT04-2P, molded, axial (IP69K Rated)*
- DT = Amp Junior Timer™, molded, radial mount*

AC AG = EN 175301-803-A

Coil Model 40-1836, 2 per assembly

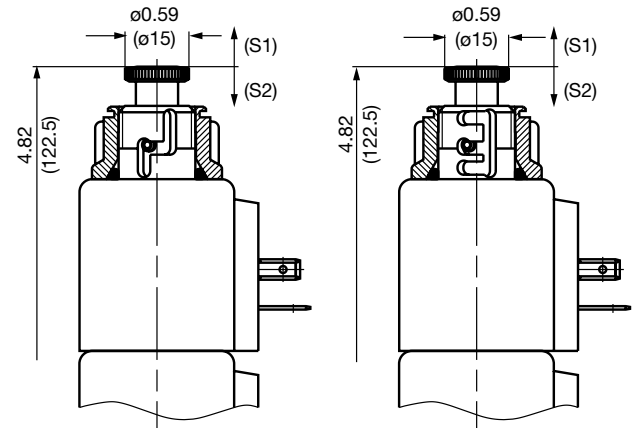
For other coil connector types consult factory

*Coils with internal diode are available, consult factory.

Manual Override Options

Option M - Non Detented

Option A - Detented



Standard Line Bodies*

Code	Part No	Material	Pressure Rating	Weight
FH104-AS8	03038110	Aluminum, anodized	3500 psi (245 bar)	0.72 lb (0.33 kg)
FH104-SS8	03037868	Steel, zinc plated	6000 psi (420 bar)	2.12 lb (0.96 kg)

*Please refer to Line Bodies & Cavities section for details

All measurements in inches (mm).
Subject to technical modifications