

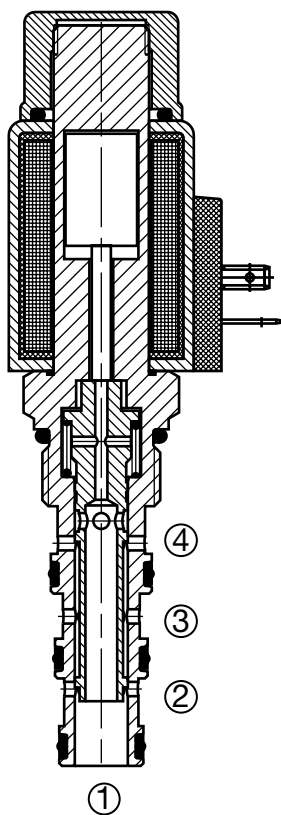
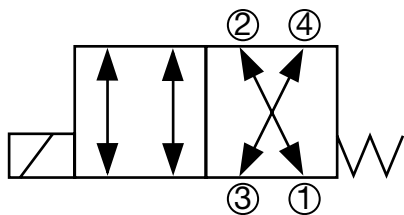
SOLENOID VALVES

WK10Y-01

Spool Type, Direct Acting

Up to 8.4 gpm (32 l/min) • 5000 psi (350 bar)

Hydraulic Symbol



Description

A screw-in cartridge, solenoid operated, 4-way, 2 position, direct acting, spool type valve.

Operation

When de-energized the WK10Y allows flow from port 2 to port 1 bi-directionally and port 3 to port 4 bi-directionally. When energized the spool shifts and opens flow from port 2 to port 3 bi-directionally and from port 4 to port 1.

Operation of Manual Override Option: To override, push and hold the override button. The override is not detented. The manual override option is intended for emergency use, not for continuous duty operation.

Features

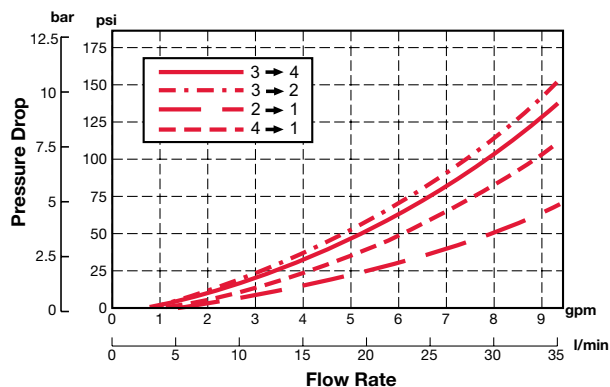
- Push type manual override button, protected by rubber cap

Specifications

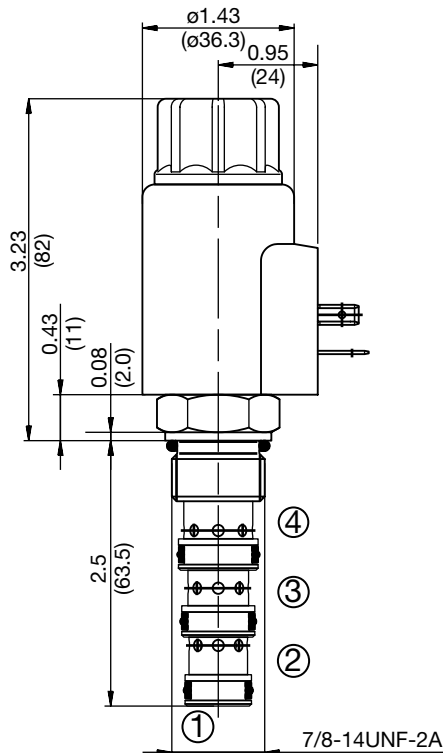
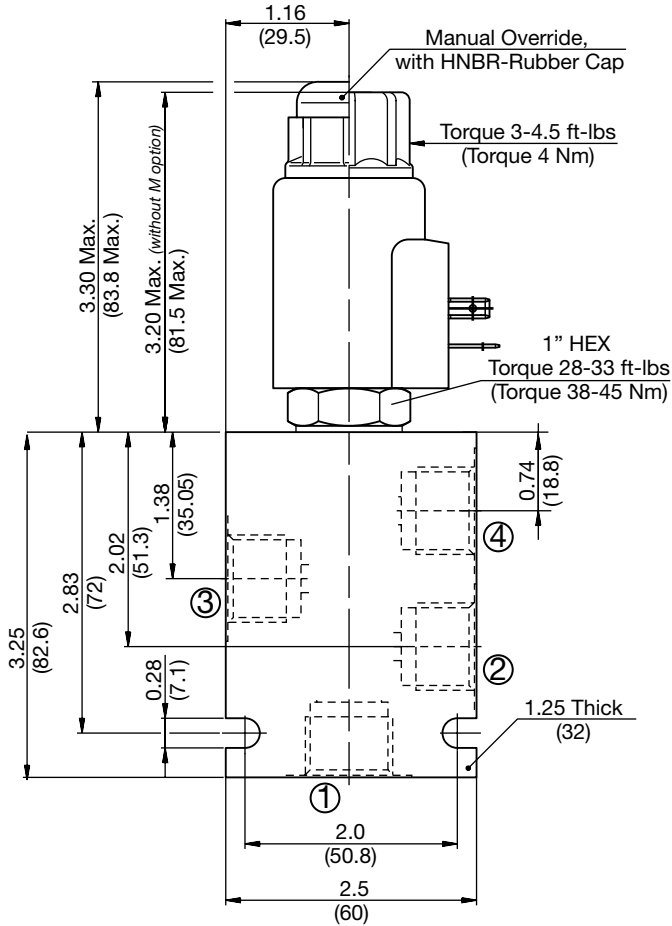
Operating Pressure	5000 psi (350 bar)
Nominal Flow	8.4 gpm at 5000 psi (32 l/min at 350 bar)
Internal Leakage	7.3 cu in/min. at 3600 psi and 158 SUS (120 cc/min at 250 bar and 34 cSt)
Fluid Operating Temp. Range	-4° to 248°F (-20° to 120°C) <i>(Consult factory for usage at temp. outside range.)</i>
Ambient Temperature Range	-4° to 140°F (-20° to 60°C)
Coil Duty Rating	Continuous from 85% to 115% of nominal voltage
Current Draw @ 68°F (20°C)	2.22 A at 12VDC; 1.13 A at 24VDC
Min. Pull-in Voltage @ 68°F (20°C)	85% of nominal @ 5000 psi (350 bar)
Fluid Compatibility	Mineral-based or synthetics with lubricating properties
Viscosity	50 to 2000 SUS (7.4 to 420 cSt)
Filtration	21/19/16 or cleaner (per ISO 4406). Use with filter rated $\beta_{10} \geq 200$.
Installation	No orientation restrictions
Cavity	FC10-4 (see <i>Line Bodies & Cavities</i> section)
Cavity Tools	Rougher: 02580248 Finisher: 02580249
Cartridge Weight	0.55 Lbs. (0.25 kg)
Coil Weight	0.51 Lbs. (0.23 kg)
Cartridge Material	Steel with hardened work surfaces. Zinc-plated exposed surfaces. Buna N or Viton® o-rings. PTFE back-up rings.
Coil Material	Class N high temperature magnet wire, steel shell, polyamid encapsulation.
Seal Kits	Buna-N P/N: 03051912 Viton® P/N: 03071275

Performance

Measured at 158 SUS (34 cSt)
 $T_{oil} = 115^\circ\text{F} (46^\circ\text{C})$



Dimensions



Model Code

WK10Y-01 M-C-N-24 DN

- Valve Model** _____
- Override Option** _____
 blank = No manual override
 M = Manual override, push type
- Body & Ports** _____
 C = Cartridge only
 AS8 = SAE-8 Ports, aluminum body
 SS8 = SAE-8 Ports, steel body
- Seals** _____
 N = Buna-N
 V = Viton®
- Coil Voltage** _____
 0 = No coil, cartridge only
- DC** _____
 12 = 12 VDC
 24 = 24 VDC
 36 = 36 VDC
 110 = 110 VDC (only available with connector DG)
- AC** _____
 24 = 24 VAC
 115 = 115 VAC (AC coils internally full wave rectified)
 230 = 230 VAC
- Coil Connector** _____
 DC DG = EN 175301-803-A
 DS = Dual spade (SAEJ858a)*
 DL = Leadwires (2) - 18" long (46 cm)*
 DW = WeatherPak™ on leadwires - 9.5" long (24 cm)*
 DN = Deutsch™ DT04-2P, molded, axial (IP69K Rated)*
 DT = Amp Junior Timer™, molded, radial mount*
- AC AG** = DIN 175301-803-A

Coil Model 50-1836

For other coil connector types consult factory

*Coils with internal diode are available, consult factory.

All measurements in inches (mm).
 Subject to technical modifications

PN#02087369 / 10.19 / CHD1110-1389

Standard Line Bodies*

Code	Part No	Material	Pressure Rating	Weight
FH104-AS8	03038110	Aluminum, anodized	3500 psi (245 bar)	0.72 lbs (0.33 kg)
FH104-SS8	03037868	Steel, zinc plated	6000 psi (420 bar)	2.12 lbs (0.96 kg)

*Please refer to Line Bodies & Cavities section for details