



Description:

The EDS 3400 is a compact electronic pressure switch with integrated digital display for relative pressure measurement in the high-pressure range. The instrument has a stainless steel measurement cell with thin-film strain gauge. The instrument can have one or two switching outputs and there is the option of an additional switchable analog output signal (4 .. 20 mA or 0 .. 10 V).

A special design feature of the EDS 3400 is that the display can be moved in two planes. The device can be installed in almost any position and the display can be turned to the optimum position without the usual additional expense of a mechanical adapter. The 4-digit display can indicate the pressure in **bar**, **psi** or **MPa**.

The user can select the particular unit of measurement. When changing to a different measurement unit, the instrument automatically converts all the switching settings to the new unit of measurement. In addition, the EDS 3400 is also available in a DESINA®-compliant version. The main applications of the EDS 3400 are primarily in hydraulics and pneumatics, as well as in refrigeration and air conditioning technology.

Special features:

- 1 or 2 PNP transistor switching outputs, up to 1.2 A load per output
- Accuracy $\leq \pm 0.5\%$ FS B.F.S.L.
- Optional switchable analog output (4 .. 20 mA / 0 .. 10 V)
- 4-digit digital display
- Optimum alignment - can be rotated in two planes (axes)
- Measured value can be displayed in bar, psi or MPa
- User-friendly due to key programming
- Switching points and switch-back hysteresis can be adjusted independently
- Many useful additional functions
- Optional Desina®-compliant pin configuration with diagnostic function



Electronic Pressure Switch EDS 3400

Technical data:

Input data	
Measuring ranges	1000, 3000, 6000, 9000 psi
Overload pressures	2900, 7250, 11600, 14500 psi
Burst pressures	7250, 14500, 29000, 29000 psi
Mechanical connection	9/16-18 UNF 2A (SAE 6 male)
Torque value	15 lb-ft (20 Nm)
Parts in contact with medium	Mech. connection: Stainless steel Seal: FPM (9/16-18 UNF 2A, SAE-6 male)
Output data	
Accuracy to DIN 16086, Max. setting (display, analog output)	$\leq \pm 0.5\%$ FS typ. $\leq \pm 1\%$ FS max.
Repeatability	$\leq \pm 0.25\%$ FS max.
Temperature drift	$\leq \pm 0.014\%$ /°F max zero point $\leq \pm 0.014\%$ /°F max. range
Analog output (optional)	
Signal	selectable: 4 .. 20 mA load resistance max. 500 Ω 0 .. 10 V load resistance min. 1 k Ω
Switch outputs	
Type	PNP transistor output
Switching current	max. 1.2 A
Switching cycles	> 100 million
Reaction time	< 10 ms
Long-term drift	$\leq \pm 0.3\%$ FS typ. / year
DESINA® diagnostic signal (Pin 2)	
Function	OK: HIGH level / not OK: LOW level
Level	HIGH: approx. +U _b / LOW: < +0.3 V
Environmental conditions	
Compensated temperature range	14..158 °F
Operating temperature range	-13..+176°F (-13..+140°F acc. to UL spec.)
Storage temperature range	-40..176 °F
Fluid temperature range	-13..176 °F
CE mark	EN 61000-6-1 / 2 / 3 / 4
cULus mark ¹⁾	Certificate No. E318391
Vibration resistance to DIN EN 60068-2-6 at 10 .. 500 Hz	≤ 10 g
Shock resistance to DIN EN 60068-2-29 (11 ms)	≤ 50 g
Protection class to IEC 60529	IP 67
Other data	
Supply voltage	9 .. 35 V DC without analog output 18 .. 35 V DC with analog output - limited energy - according to 9.3 UL 61010; Class 2; UL 1310/1585; LPS UL 60950
for use acc. to UL spec.	
Current consumption	max. 2.455 A total max. 35 mA with inactive switching outputs max. 55 mA with inactive switching outputs and analog output
Display	4-digit, LED, 7 segment, red, height of digits 7 mm
Weight	~ 120 g

Note: Excess voltage, override protection and short circuit protection are provided.
FS (Full Scale) = relative to the complete measurement range

¹⁾ Environmental conditions according to 1.4.2 UL 61010-1; C22.2 No 61010-1

Setting options:

All settings available on the EDS 3400 are grouped in 2 easy-to-navigate menus. In order to prevent unauthorized adjustment of the device, a programming lock can be set.

Setting ranges for the switch outputs:

Switching point function

Meas. range in psi	Switch point in psi	Hysteresis in psi	Increment* in psi
0 .. 1000	16 .. 1000	6 .. 990	2
0 .. 3000	45 .. 3000	15 .. 2970	5
0 .. 6000	90 .. 6000	30 .. 5940	10
0 .. 9000	140 .. 9000	60 .. 8900	20

Window function

Meas. range in psi	Lower switch value in psi	Upper switch value in psi	Increment* in psi
0 .. 1000	6 .. 990	16 .. 1000	2
0 .. 3000	15 .. 2970	45 .. 3000	5
0 .. 6000	30 .. 5940	90 .. 6000	10
0 .. 9000	60 .. 8900	140 .. 9000	20

* All ranges given in the table are adjustable by the increments shown.

Additional functions:

- Switching mode of the switching outputs are adjustable (switching point function or window function)
- Switching direction of the switching outputs are adjustable (N/C or N/O function)
- Switch-on and switch-off delay adjustable from 0.00 .. 99.99 seconds
- Choice of display (actual pressure, peak value, switch point 1, switch point 2, display off)
- Display filter for smoothing the display value during pressure pulsations
- Optional analog output signal selectable 4 .. 20 mA or 0 .. 10 V
- Pressure can be displayed in the measurement units bar, psi, MPa. The scaling can also be adapted to indicate force, weight, etc.

Model code:

EDS 3 4 X X - X - XXXX - 400

Mechanical connection

7 = 9/16-18 UNF 2A (SAE 6 male)

Electrical connection

6 = Male M12x1, 4 pole

only possible on output models "1", "2" and "3"

8 = Male M12x1, 5 pole

only possible on output model "5"

Output

1 = 1 switching output

only in conjunction with electrical connection type "6"

2 = 2 switching outputs

only in conjunction with electrical connection type "6"

3 = 1 switching output and 1 analog output

only in conjunction with electrical connection type "6"

5 = 2 switching outputs and 1 analog output

only in conjunction with electrical connection type "8"

Pressure ranges in psi

1000, 3000, 6000, 9000

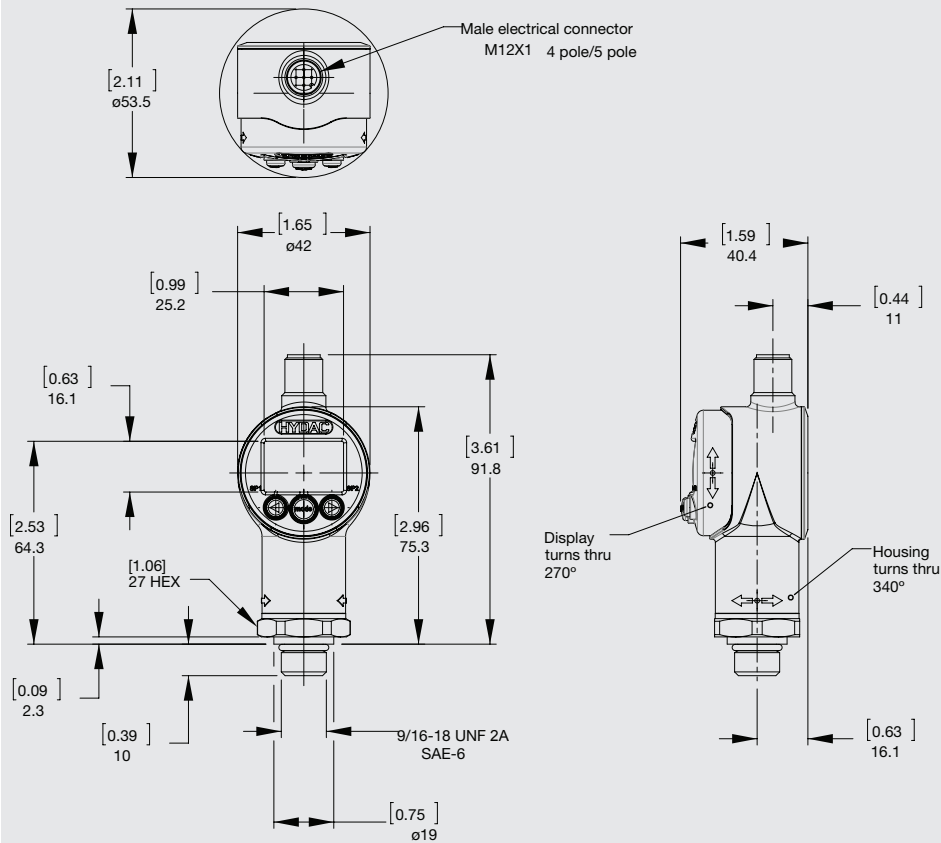
Modification number

400 = Standard in psi

Accessories:

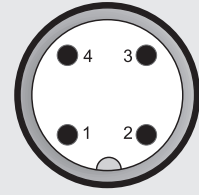
Appropriate accessories, such as electrical connectors, mechanical adapters, splash guards, clamps for wall-mounting etc can be found in the Accessories brochure.

Dimensions:



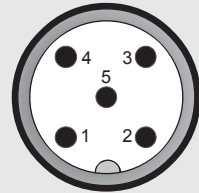
Pin connections:

M12x1, 4 pole



Pin	EDS 34X6-1	EDS 34X6-2	EDS 34X6-3
1	+U _B	+U _B	+U _B
2	n.c.	SP 2	Analog
3	0 V	0 V	0 V
4	SP 1	SP 1	SP 1

M12x1, 5 pole



Pin	EDS 34X8-5
1	+U _B
2	Analog
3	0 V
4	SP 1
5	SP 2

Note:

The information in this brochure relates to the operating conditions and applications described.

For applications or operating conditions not described, please contact the relevant technical department.

Subject to technical modifications.

For European mechanical connection and bar ranges see European catalog

HYDAC ELECTRONICS
90 Southland Dr. Bethlehem, PA 18017
Telephone: 610.266.0100
E-mail: electronics@hydacusa.com
Website: www.hydac-na.com

