



Electronic Flow Rate Transmitter with HSI-Sensor Recognition

EVS 3100-H

EVS 3110-H

Description:

The flow rate transmitters in the series EVS 3100-H and EVS 3110-H with HSI sensor recognition have been specially developed for use in conjunction with HYDAC measuring instruments HMG 500, HMG 510, HMG 3000, HMG 3010 and CMU 1000.

For data transmission, the EVS 31x0-H has an HSI interface (HYDAC Sensor Interface).

The HSI sensors are recognized automatically via the HSI interface by the above-mentioned HYDAC measuring instruments, and all the necessary basic settings are taken from each instrument.

As with all flow rate transmitters in the series EVS 3100 and EVS 3110, the EVS 31x0-H also operates according to the turbine principle. The speed of an impeller turning in the fluid flow is measured and converted into an electronic signal.

Special features:

- Fully automatic recognition by, and voltage supply from, HYDAC measuring instruments HMG 500, HMG 510, HMG 3000, HMG 3010 or CMU 1000
- Automatic transfer of measuring range, measured value and measurement unit
- Viscosities of 1 .. 100 cSt
- Additional connection of temperature and / or pressure transmitters possible

Technical data:

Input data		
Measuring ranges ¹⁾ and operating pressure		
EVS 3108-H-0020	0.26 .. 5.28 gpm	5800 psi
EVS 3118-H-0020		
EVS 3108-H-0060	1.59 .. 15.9 gpm	5800 psi
EVS 3118-H-0060		
EVS 3108-H-0300	3.96 .. 79.3 gpm	5800 psi
EVS 3118-H-0300		
EVS 3108-H-0600	10.6 .. 159 gpm	4567.5 psi
EVS 3118-H-0600	10.6 .. 159 gpm	5800 psi
Additional connection options		2 x G1/4 female threads for pressure and/or temperature sensors
Output data		
Output signal	HSI (HYDAC Sensor Interface) Automatic sensor recognition	
Accuracy	≤ 2 % of the actual value	
Environmental conditions		
Compensated temperature range	-4 .. 150°F (-20 .. +70°C)	
Operating temperature range	-4 .. 150°F (-20 .. +70°C)	
Storage temperature range	-40 .. +212°F (-40 .. +100°C)	
Fluid temperature range	-4 .. 194°F (-20 .. +90°C)	
CE mark	EN 61000-6-1 / 2 / 3 / 4	
Protection class to IEC 60529	IP 67 (when an IP 67 connector is used)	
Other data		
Housing material	EVS 3100-H:	Aluminium
	EVS 3110-H:	Stainless steel
Measuring medium ²⁾	EVS 3100-H:	Hydraulic oils
	EVS 3110-H:	Water-based media
Viscosity range	1 .. 100 cSt	
Calibration viscosity	EVS 3100-H:	30 cSt
	EVS 3110-H:	5 cSt
Voltage supply	via HYDAC measuring instruments HMG 500, HMG 510, HMG 3000, HMG 3010 or CMU 1000	

Note: ¹⁾ Other measuring ranges on request

²⁾ Other fluids on request

Model code:

EVS 3 1 X 8 - H - XXXX - 000

Housing material

- 0 = Aluminium
1 = Stainless steel

Electrical connection

- 8 = Male M12x1, 5 pole
(connector not supplied)

Signal

- H = HSI (Automatic Sensor Recognition)

Measuring range

- 0020 = 0.26 .. 5.28 gpm
0060 = 1.59 .. 15.9 gpm
0300 = 3.96 .. 79.3 gpm
0600 = 10.6 .. 159 gpm

Modification number

- 000 = Standard

Accessories:

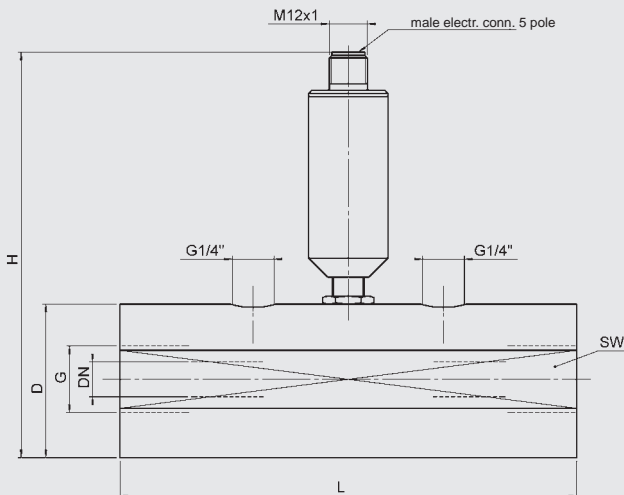
Appropriate accessories, such as electrical connectors, can be found in the Accessories brochure.

Note:

The information in this brochure relates to the operating conditions and applications described.

For applications or operating conditions not described, please contact the relevant technical department.

Subject to technical modifications.

Dimensions:

Model	Meas. range [gpm]	L [mm]	H [mm]	D / SW [mm]	G [mm]	Torque value [lb-ft(Nm)]	DN [mm]
EVS 3108-H-0020	0.26..5.28	117	135	47 / 46	G $\frac{1}{4}$ "	44 lb-ft (60)	7
EVS 3108-H-0060	1.59..15.9	144	135	48.5 / 46	G $\frac{1}{2}$ "	95 lb-ft (130)	11
EVS 3108-H-0300	3.96..79.3	155	150	63.5 / 60	G $\frac{1}{4}$ "	370 lb-ft (500)	22
EVS 3108-H-0600	10.6..159	181	150	63.5 / 60	G $\frac{1}{2}$ "	440 lb-ft (600)	30
EVS 3118-H-0020	0.26..5.28	117	135	47 / 46	G $\frac{1}{4}$ "	44 lb-ft (60)	7
EVS 3118-H-0060	1.59..15.9	144	135	48.5 / 46	G $\frac{1}{2}$ "	95 lb-ft (130)	11
EVS 3118-H-0300	3.96..79.3	155	150	63.5 / 60	G $\frac{1}{4}$ "	370 lb-ft (500)	22
EVS 3118-H-0600	10.6..159	181	150	63.5 / 60	G $\frac{1}{2}$ "	440 lb-ft (600)	30

HYDAC ELECTRONICS

90 Southland Dr. Bethlehem, PA 18017
Telephone +1 (610) 266-0100
E-mail: electronics@hydacusa.com
Website: www.hydacusa.com