



## Temperature Probe TFP 100

### Description:

The TFP 100 temperature probe was developed primarily for tank installation. The PT 100 precision resistor in 4-conductor design can be connected directly to HYDAC temperature switches ETS 3800, ETS 380 and ETS 1700.

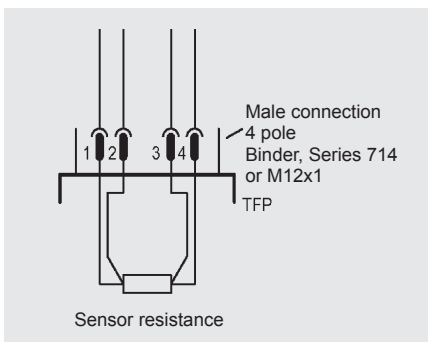
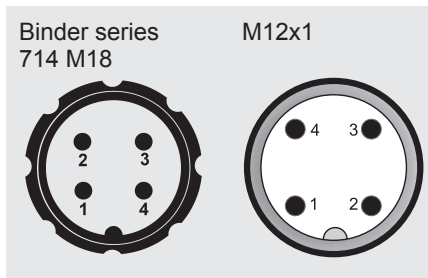
The standardized electrical connection also means that other evaluation or control systems (e.g. PLC) can easily be connected.

For adaptation to different applications and fluids, a nickel-plated brass installation sleeve which is pressure resistant up to 145 psi is available as an accessory.

### Special features:

- Measurement circuit configured as four-conductor circuit
- Simple to install
- For universal application

### Pin connections:



### Technical data:

#### Temperature probe TFP 100

Temperature range	-40 .. +257 °F (-40 .. +125 °C)
Electrical connection	Male Binder series 714 M18, 4 pole Male M12x1, 4 pole
Parts in contact with medium	Brass
CE mark	EN 61000-6-1 / 2 / 3 / 4
Sensor current	0.3 .. 1.0 mA
<b>Tank installation sleeve for TFP 100</b> (Accessory, not supplied)	
Pressure resistance	145 psi
Parts in contact with medium	CuZn39Pb3 (brass), nickel-plated

### Model code:

**TFP 10X - 000**

Separate temperature probe \_\_\_\_\_

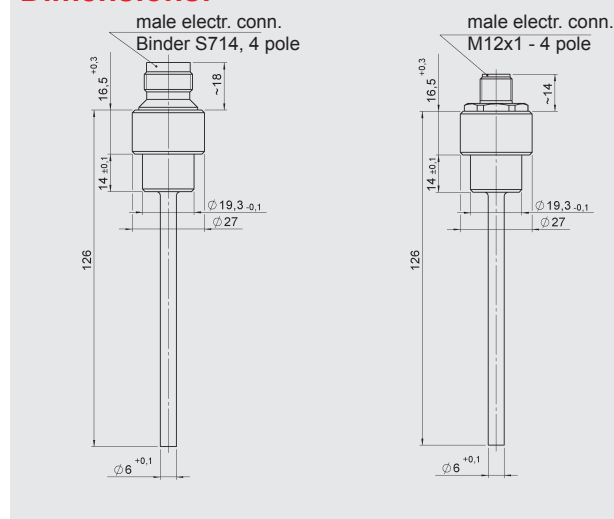
Electrical connection \_\_\_\_\_

- 4 = Male, 4 pole Binder series 714 M18m (connector supplied)
- 6 = Male, 4 pole M12x1 (connector not supplied)

Modification number \_\_\_\_\_

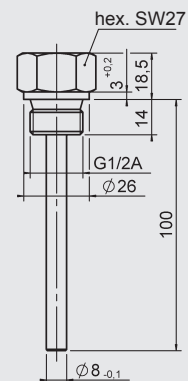
000 = Standard

### Dimensions:



### Tank installation sleeve for TFP100

(to be ordered separately)  
Part No.: 906 170



### Note:

The information in this brochure relates to the operating conditions and applications described. For applications or operating conditions not described, please contact the relevant technical department. Subject to technical modifications.

**HYDAC ELECTRONICS**  
90 Southland Dr. Bethlehem, PA 18017  
Telephone +1 (610) 266-0100  
E-mail: electronics@hydacusa.com  
Internet: www.hydacusa.com