

OFFLINE FILTRATION SYSTEMS

OF7-BC Series

Compact Filtration System Basic Cart



Description

The HYDAC Basic Cart Filter System is a compact, self-contained, “light-duty” filtration system equipped with high efficiency, high capacity elements capable of removing particulate contamination and/or water quickly, conveniently and economically. It is perfect for cleaning up existing systems as well as for pre-filtering new fluids, since new fluids often have contamination levels significantly higher than that recommended for most hydraulic systems.

The filtration system’s compact, lightweight design with replaceable element cartridge and reusable bowl, minimizes landfill waste. Element service is easily accomplished through the top-ported filter housings. The optional dual filter assembly allows for water and particulate removal or staged particulate contamination removal.

Features

- Compact size, easily transported
- Top-ported filter provides easy element service
- Bar-type Dirt Alarm® indicates when filter elements require a change
- Hoses and connection tubes included
- Optional BackPack Version available for ease of transport across distances

Applications

- Supplementing continuous filtration by system filters
- Cleaning up a hydraulic system following component replacement
- Filtering new fluid before it is put into service
- Transferring fluid from storage tanks and drums to system reservoirs

Technical Specifications

Flow Rating:	4 gpm (15.1 lpm)
Maximum Viscosity:	1600 SUS (350 cSt)
Hose Pressure Rating:	30 psig (2.0 bar) @ 150°F (65.6°C) Full vacuum @ 150°F (65.6°C)
Fluid Temperature:	25°F to 150°F (-4°C to 65°C)
Material:	Element Case: Aluminum
Seal Material:	Buna N
Compatibility:	All petroleum based hydraulic fluid. Contact factory for use with other fluids
Motor:	115 VAC Single phase 0.25 hp
Weight:	Single housing - 40 lbs (18.2 kg) Dual housing - 44 lbs (20 kg) (Does not include weight of hose/wands)

Replacement Elements

Model Code	Part No.
ELEMENT OFCDBC 003	02099361
ELEMENT OFCDBC 005	02099362
ELEMENT OFCDBC 010	02099363
ELEMENT OFCDBC 020	02099364
ELEMENT OFCDBC AM	02099365

Model Code

OF7-BC - - 2 - 09 - MXxx - MXxx - B - E

Series

OF7-BC = Compact Filter System Basic Cart

Voltage

- omit = 110 V AC, 60Hz, 1 Ph.
- A = 230V AC, 60Hz, 1 Ph.
- T = 12V DC (supplied with motor starter)

Number of Housing

- 1 = One 9" element per housing
- 2 = One 9" element per housing

Element Length

- 09 = One 9" element supplied per housing

Element Size (BN only - AM has no rating) (microns)

- MX03, MX05, MX10, MX25 = Betamicon® Absolute Filtration Rating ($\beta_x(c) \geq 1000$)
- MXAM* = Aquamicon® Water Removal

Element Size (BN only - AM has no rating) (microns) (OF7-BC Dual Stage Only)

- MX03, MX05, MX10, MX25 = Betamicon® Absolute Filtration Rating ($\beta_x(c) \geq 1000$)
- MXAM* = Aquamicon® Water Removal

Seals

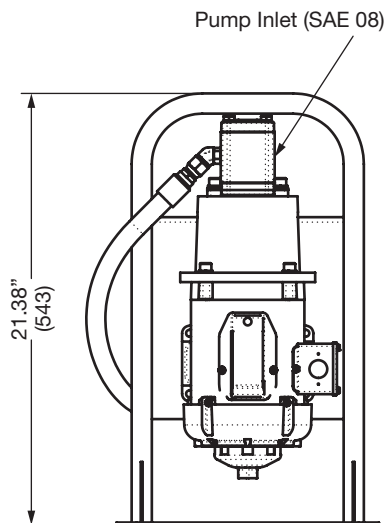
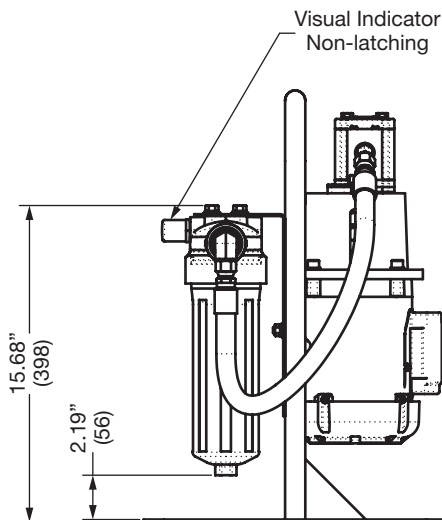
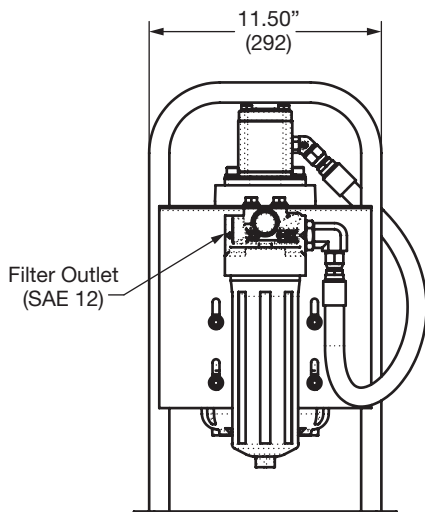
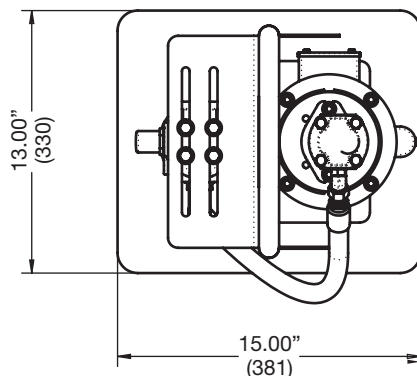
- B = Buna

Clogging Indicator

- E = Standard Visual Indicator

*Aquamicon media should be in the first filter housing followed by the BN media in the second housing.

Dimensions



Dimensions are for general information only, all critical dimensions should be verified by requesting a certified print.