

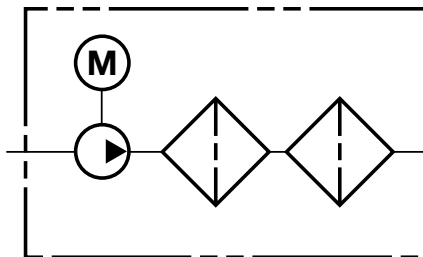
OFFLINE FILTRATION SYSTEMS

OFCD-MV Series

Compact Dual Stage Filtration System up to 5,000 SUS



Hydraulic Schematic



Description

HYDAC's newest addition to the portable filtration carts offers the user the ability to filter up to 5,000 SUS fluids.

The OFCD-MV is a compact, self-contained filtration system equipped with high efficiency, high capacity elements capable of removing particulate contamination and/or water quickly, conveniently and economically. It is perfect for cleaning up existing systems as well as for prefiltering new fluids, since new fluids often have contamination levels significantly higher than that recommended for most hydraulic systems.

The OFCD-MV dual filtration unit can be used to remove both water and particulate contamination or for staged particulate contamination removal.

Features

- Ability to filter fluids having a viscosity up to 5,000 SUS
- Top-ported filter provides easy element service
- Ten-foot hose and extension tubes included

Applications

- Supplementing continuous filtration by the system's filters
- Cleaning up a hydraulic system following component replacement
- Filtering new fluid before it is put into service
- Transferring fluid from storage tanks and drums to system reservoirs

Technical Specifications

Flow Rating	up to 10 gpm (37.9 lpm)
Maximum Viscosity	up to 5,000 SUS (1079 cSt)
Hose Pressure Rating	30 psig (2.0 bar) @ 150°F (65°C) Full vacuum @ 150°F (65°C)
Maximum Operating Temperature	-20° to 150°F (-29° to 65°C)
Bypass Valve Setting	Cracking: 30 psi (2 bar)
Material	Manifold and Cap: Cast Aluminum Element case: Steel
Compatibility	All petroleum based hydraulic fluid. Contact factory for use with other fluids
Motor	1.0HP 110VAC/60HZ TEFC (6gpm) 1.5HP 110VAC/60HZ (10gpm)

Model Code

OFCD-MV - 18 - G 10 - G 10 - V - 6

Series

OFCD-MV = Dual Filter System

Element Length

18 = One 18" element supplied per housing

Filter Media

G = Betamicon GeoSeal®

GAM* = Aquamicon® Water Removal

Filtration Rating (G only - GAM has no rating) (microns)

3 } Betamicon® (BN/HC)
5 } Absolute Filtration Rating
10 } ($\beta_{x(c)} \geq 1000$)
20 }

Filter Media

G = Betamicon GeoSeal®

GAM* = Aquamicon® Water Removal

Filtration Rating (G only - GAM has no rating) (microns)

3 } Betamicon® (BN/HC)
5 } Absolute Filtration Rating
10 } ($\beta_{x(c)} \geq 1000$)
20 }

Seals

V = FPM

Pump Size (gpm)

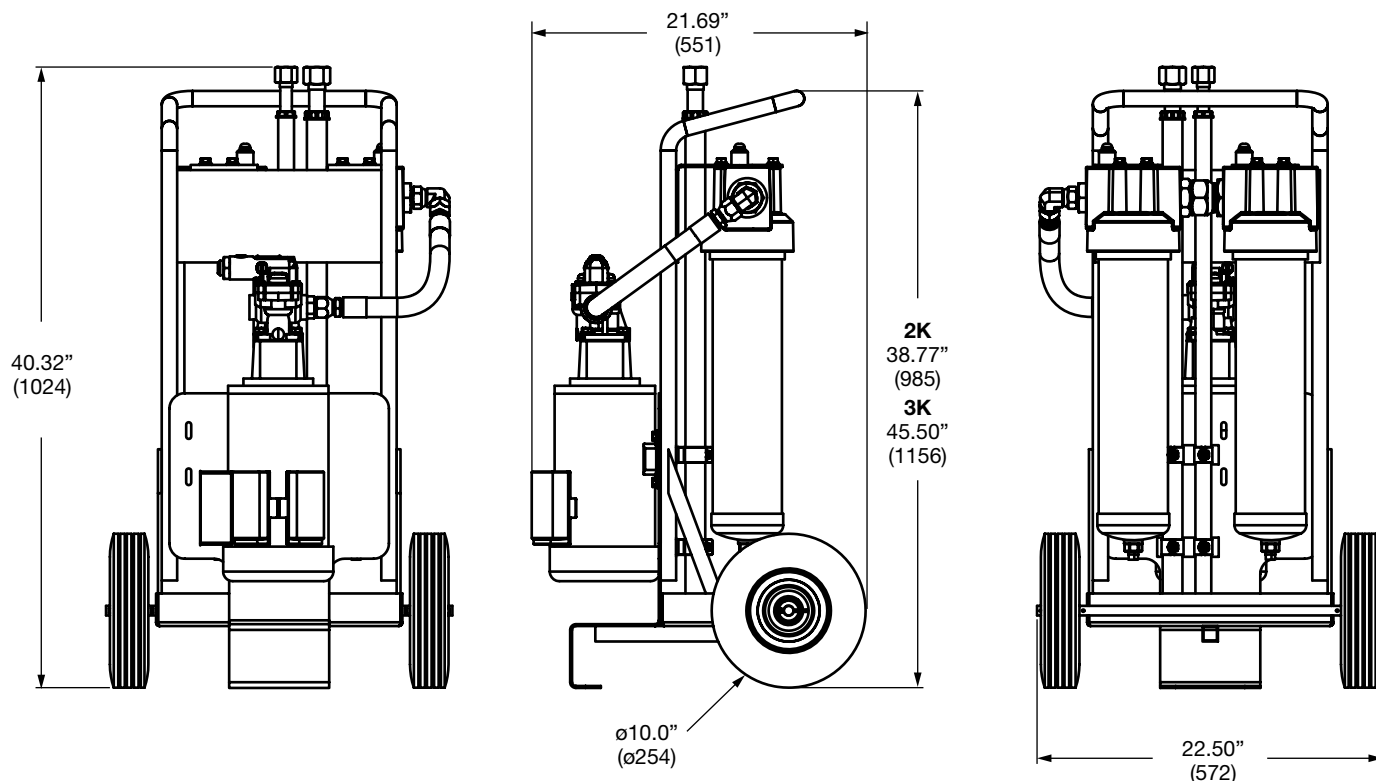
6 = 6 gpm

10 = 10 gpm

*Aquamicon media should be in the first filter housing followed by the Betamicon media in the second housing. For replacement element part numbers, please see Section E - REPLACEMENT ELEMENTS of this catalog.

Model Codes Containing RED are non-standard items - Minimum quantities and longer lead times may apply - Contact HYDAC for information and availability

Dimensions



Dimensions are for general information only, all critical dimensions should be verified by requesting a certified print.