

OFFLINE FILTRATION SYSTEMS

OFS Series

Filtration Station



Description

The HYDAC Filtration System (OFS) is capable of flushing, filtering, and monitoring ISO cleanliness with user-defined, automatic features. **The OFS is designed to transfer fluid through two filters in series for staged particulate or water/particulate removal.** Both filters are top-loading and include element indicators in the cap. A particle monitor reads samples from the pump discharge and displays ISO contamination codes on the control panel. The monitor allows the user to input the desired ISO cleanliness codes for the fluid. In auto mode, the system will run until the cleanliness codes are reached. Upon reaching the codes, the pump will stop and the cycle complete light will come on. When in manual mode, the system will run continuously and display the ISO codes. A water sensor is included for providing the water saturation of the fluid, both displayed on the control panel.

Features

- Real time monitoring of ISO cleanliness classes
- Automatic shutdown when user defined ISO codes are reached
- USB port allows the ISO code data to be downloaded for further processing and/or printing
- 30 mesh suction strainer and 230 micron filter and included to protect the particle monitor from clogging
- The AS 1000 allows real-time water saturation and temperature values of the fluid to be displayed
- Bypass valve so cart can be used as a transfer cart
- Single lift point
- Plastic removable drip pan

Applications

- **In-Plant Service** – Filter to desired cleanliness levels and extend component life
- **Mobile Dealer Networks** – Aid in certified re-builds, service maintenance contracts and total maintenance & repair programs
- **Original Equipment Manufacturer** – Filter to required roll-off cleanliness levels
- **Lubricant Reclamation/Recycling** – Clean oil to extend oil life and reduce hazardous waste

Technical Specifications

Flow Rating	9 gpm (34 lpm) (AC option); 3-8 gpm (11.4 to 30.3 lpm) (DC option)
Motor	1 1/2 HP, 115/220VAC motor (AC option) 1 HP, 90 V DC variable speed (DC option)
Viscosity	1000 SUS (230cSt)
Operating Temperature	-20° F to 150° F (-29° C to 65° C)
Bypass Valve Setting	Cracking: 30 psi (2 bar) x 2
Compatibility	All petroleum based hydraulic fluid. (Contact factory for use with other fluids.)
Element Change Clearance	18" or 27" (depending on model configuration)
Weight	245 lbs (112 kg)

Model Code

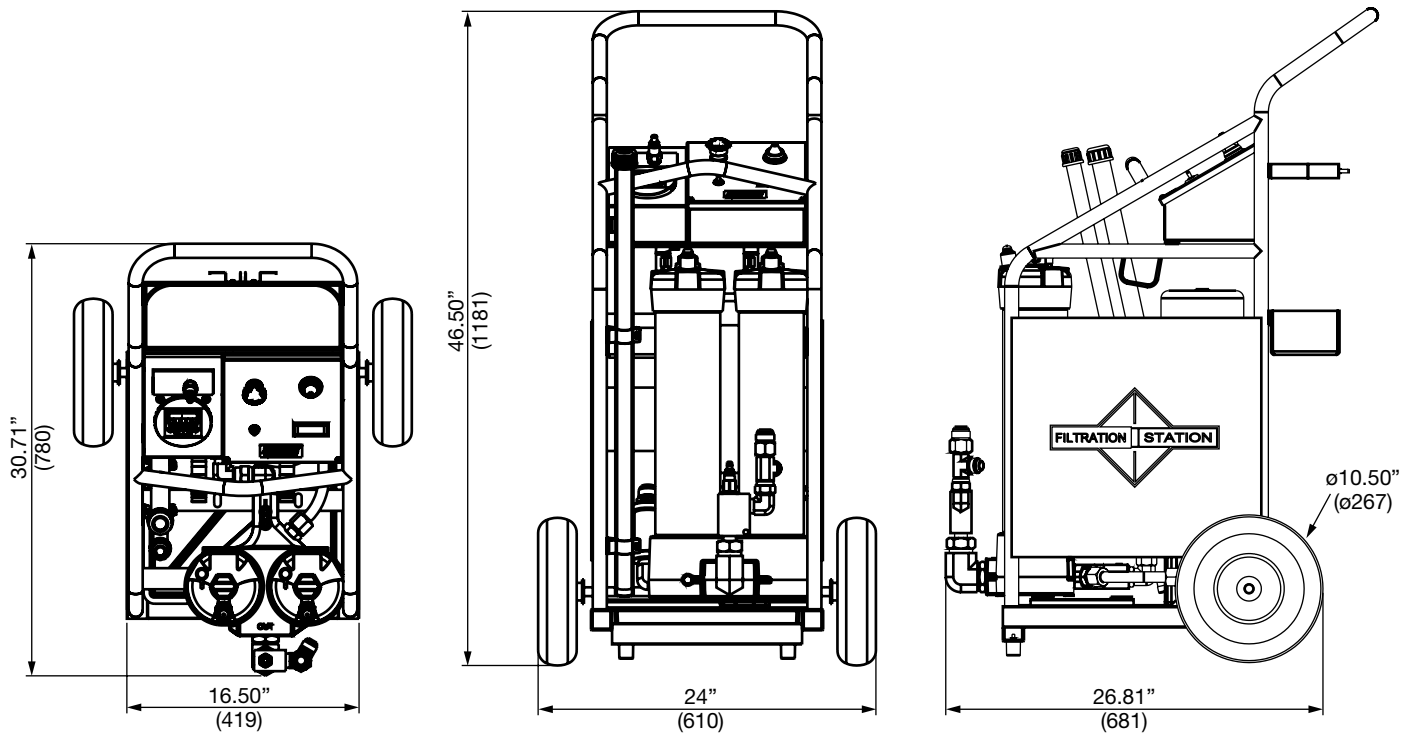
OFS - A - 1 - 27 - BN - 10 - BN - 01 - V - 9 - W

Series	OFS = Filtration Station	
Voltage	A = 120 VAC 60 Hz 1 Ph B = 220 VAC 60 Hz 1 Ph C = 220 VAC 50 Hz 1 Ph	(A plug is not provided for these options.)
Number of Elements (18" and 27" housings only)	1 = Element length must be either 18" or 27" 2 = Two 9" elements per 18" housing 3 = Three 9" elements per 27" housing	
Element Length (18" and 27" housings only)	09 = Two 9" elements per 18" housing Three 9" elements per 27" housing 18 = One 18" element per 18" housing 27 = One 27" element per 27" housing	
Element Media	BN = Betamicon® AM* = Aquamicon®	
Filtration Rating (BN only - AM has no rating) (microns)	01, 03, 05, 10, 25	
Element Media	BN = Betamicon® AM* = Aquamicon®	
Filtration Rating (BN only - AM has no rating) (microns)	01, 03, 05, 10, 25	
Seals	V = Fluoroelastomer (FPM) B = Buna N	
Pump Size (gpm)	9 = Fixed Speed Drive, Gear Pump, 9 gpm DC = Variable Speed Drive, Gear Pump, 3 to 8 gpm	
Options	W = AS1000 Water Sensor (standard on all units)	

*Aquamicon media should be in the first filter housing followed by the BN media in the second housing.
For replacement element part numbers, please see Section E - REPLACEMENT ELEMENTS of this catalog.

Model Codes Containing RED are non-standard items – Minimum quantities and longer lead times may apply - Contact HYDAC for information and availability

Dimensions



Dimensions are for general information only, all critical dimensions should be verified by requesting a certified print.