

OFFLINE FILTRATION SYSTEMS

VEU Series

Varnish Elimination Unit



VEU-A-x-M-...



VEU-W-x-M-...

Description

The service-friendly Varnish Elimination Unit (VEU) is used to prepare mineral oils and is particularly effective at removing oil aging products (varnish) from mineral oils. Varnish takes the form of oil-insoluble aging products which settle in the tank, in valves or in bearings. These can be filterable gels or solid paint-type deposits. The VEU-F series product is used in bypass flow. The removal of varnish is based on reducing the oil solubility for varnish with subsequent filtration using a combination of a HYDAC heat exchanger with a Dimicron® filter element technology.

Features

- Removal of solid and gel-like oil aging products
- Increased operating reliability of the system as a result of fewer deposits in hydraulic valves
- Increase in the oil service life
- Available to existing systems and for new systems

Applications

- Turbine Lubrication Systems
- Plastic Injection Molding Machines
- Industrial Forges and Presses

Technical Specifications

Series	VEU-A-...	VEU-W-...
Flow rate	VEU-x-10-... = 10gpm VEU-x-15-... = 15gpm	
Permissible fluid viscosity range	75 to 2000 SUS	
Permitted operating fluids	Mineral-based	
Fluid Service Temperature	32° to 140°F	32° to 176°F
Maximum pump operating pressure	87 psi	
Maximum ΔP across filter elements	72.5 psi	
Permissible inlet pressure range	-5.8 to 7 psi	
INLET port connection	VEU-x-10-... = 1-5/8 x 12UN - Male VEU-x-15-... = 1-7/8-12UN - Male	
OUTLET port connection	1-5/16 x 12UN - Male	
Water INLET port connection (VEU-W-... only)	1-1/2 x NPT - Male	
Water OUTLET port connection (VEU-W-... only)	1-1/2 x NPT - Male	
Supply voltage	460V AC / 60Hz / 3 Ph. 575V AC / 60Hz / 3 Ph.	
Seal material	FKM (Viton®)	
Permissible ambient temperature range	32 to 104°F	
Permissible storage temperature range	0 to 140°F	
Permissible relative humidity	0 to 80%, non-condensing	
Approximate weight (empty)	1,100 lbs.	1,150 lbs.

Model Code

VEU - A - 15 - M - O60 - DM02 C

Series

VEU = Varnish Elimination Unit

Cooling Method

A = Air
W = Water

Flow Rate

10 = 10 gpm
15 = 15 gpm

Version

S = Stationary
M = Mobile

Motor Voltage

O60 = 460V / 3 Phase
P60 = 575V / 3 Phase

Filter Element

DM02 = N15DM002, 2µm Absolute
DM05 = N15DM005, 5µm Absolute
DM10 = N15DM010, 10µm Absolute

Clogging Indicator

C = Electrical differential pressure switch with indicator light in control panel

Sizing

As a rough guide, the VEU can be sized according to the tank volume of the system.

Size	Tank Vol. Min. (gal)	Tank Vol. Max. (gal)
VEU-x-10-...	150	1200
VEU-x-15-...	225	2000

Replacement Filter Elements

3 elements required

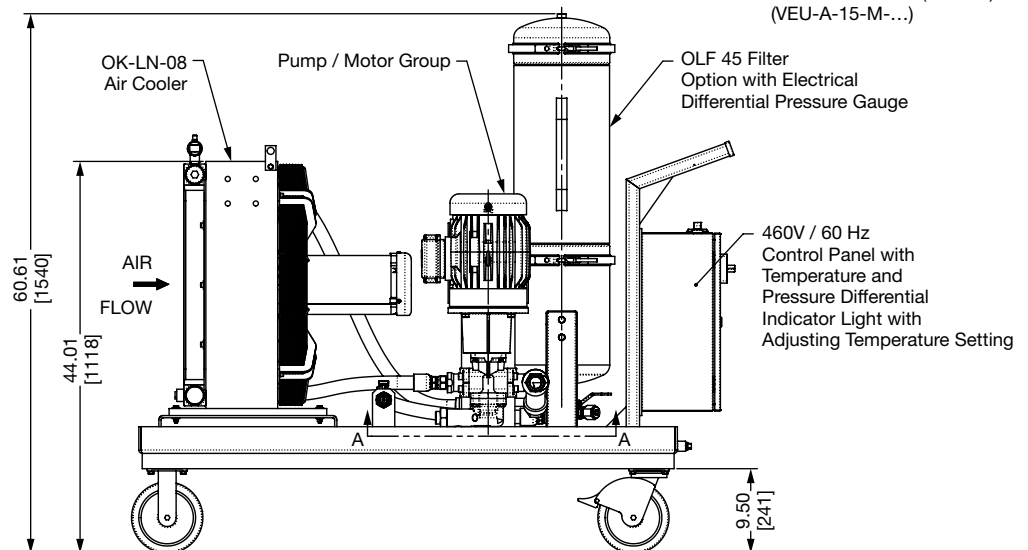
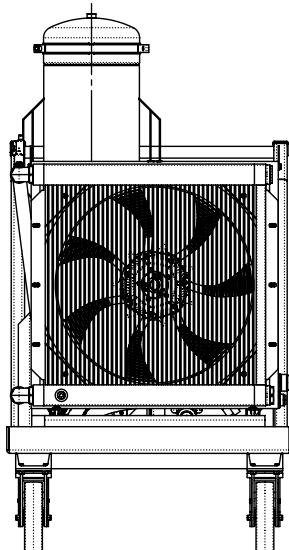
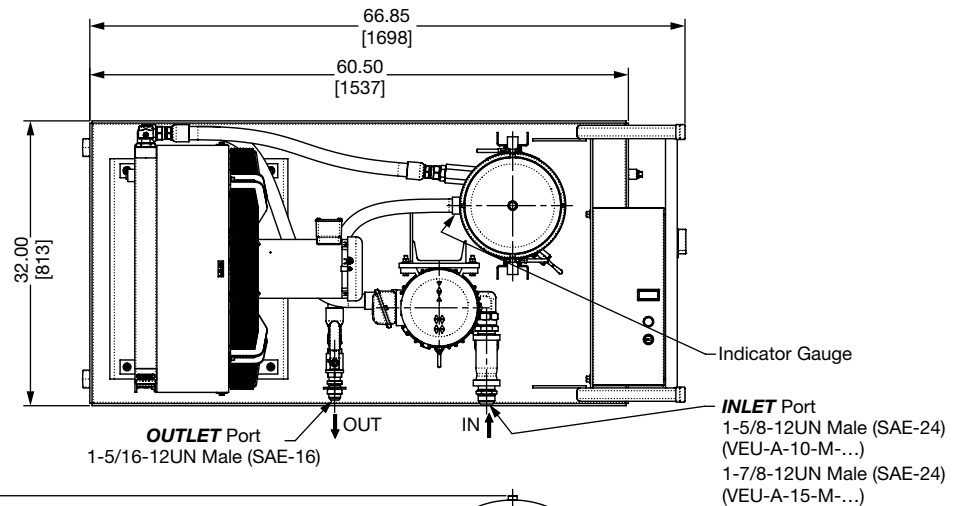
Model number	Part number
N15DM002	1251590
N15DM005	3252552
N15DM010	3115180

Scope of Delivery

- VEU according to Model Code
- Operating and Maintenance Instructions

Dimensions

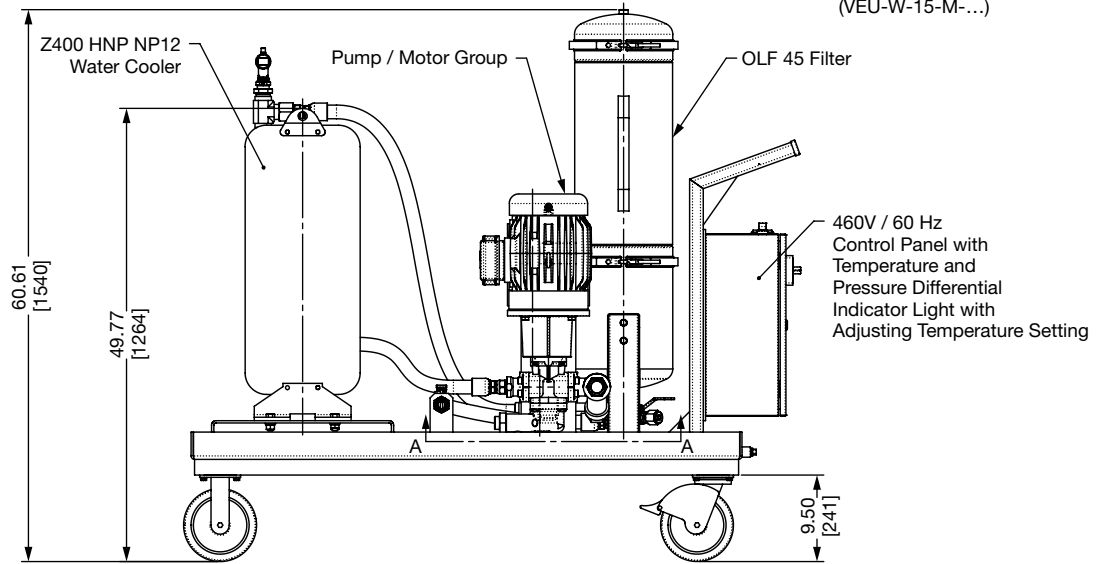
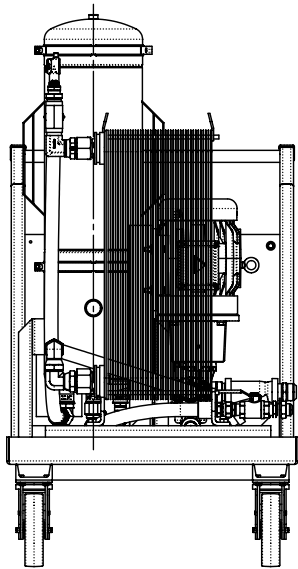
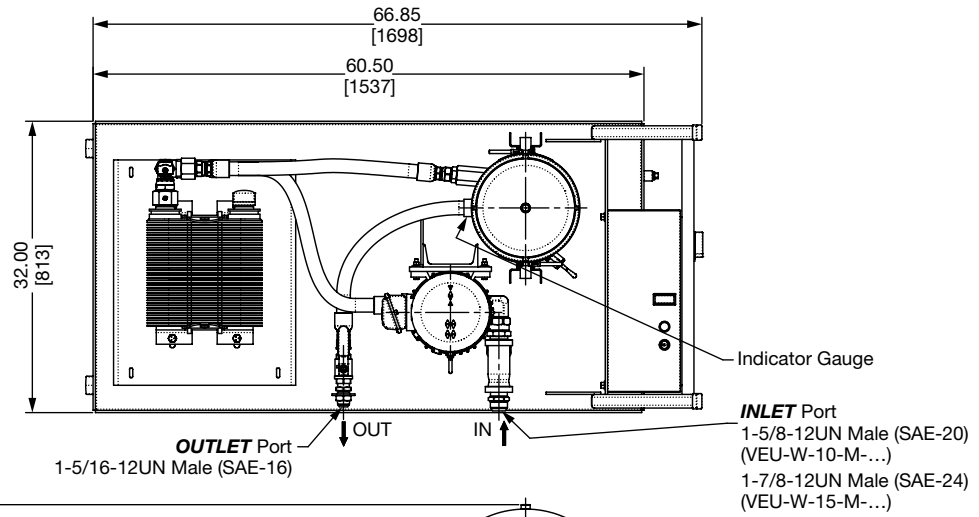
VEU-A-x-M-...



Dimensions are for general information only, all critical dimensions should be verified by requesting a certified print.

OFFLINE FILTRATION SYSTEMS

Dimensions VEU-W-x-M-...



Dimensions are for general information only, all critical dimensions should be verified by requesting a certified print.

