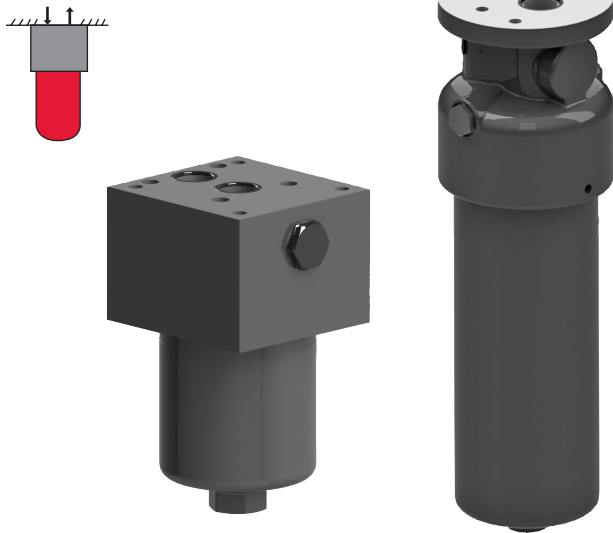


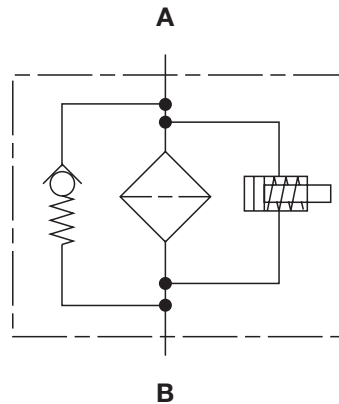
# HIGH PRESSURE FILTERS

## DFP Series

Manifold Mount Filters  
4568 psi • up to 125 gpm



### Hydraulic Symbol



### Features

- The filter housings are designed to withstand pressure surges as well as high static pressure loads.
- The screw-in bowl or lid/cap allows the filter element to be easily removed for replacement or cleaning.
- A visual (pop-up), electrical, electrical/visual (lamp), or electronic differential type clogging indicator can be installed.
- DFP filters are available with or without a bypass valve (located in filter head) so either high or low collapse pressure elements may be used.
- Multiple indicator port locations (DFP330/660/1320 only) also allow two different types of indicators to be installed into the filter. Indicators of the same type, but with different trip pressures can also be installed. (both ports machined and plugged)
- Fatigue pressure rating equals maximum allowable working pressure rating.

### Technical Specifications

<b>Mounting Method</b>	<i>(manifold mount)</i>	
60 - 280	4 mounting holes	
330 - 1320	6 mounting holes	
<b>Port Connection</b>	Diameter	
60/110	0.689" (17.5mm)	
160/240/280	0.843" (21.4mm)	
330/660/1320	1.181" (30mm)	
<b>Flow Direction</b>	Inlet: Top	Outlet: Top
<b>Construction Materials</b>		
Head	Ductile iron	
Bowl	Steel	
Housing (660-1320)	Steel	
Cap/Lid (660-1320)	Low Carbon Steel	
<b>Flow Capacity</b>		
60	16 gpm (60 lpm)	
110	29 gpm (110 lpm)	
160	42 gpm (160 lpm)	
240	63 gpm (240 lpm)	
280	74 gpm (280 lpm)	
330	87 gpm (330 lpm)	
660	174 gpm (660 lpm)	
1320	180 gpm (680 lpm)	
<b>Housing Pressure Rating</b>		
Max. Allowable Working Pressure	4568 psi (315 bar)	
Fatigue Pressure	4568 psi (315 bar) @ 1 million cycles	
Burst Pressure	60/110	15,805 psi (1090 bar)
	160/240/280	>18,000 psi (1240 bar)
	330/660/1320	15,660 psi (1080 bar)
<b>Element Collapse Pressure Rating</b>		
BH4HC, V	3045 psid (210 bar)	
ON, W/HC	290 psid (17 bar)	
<b>Fluid Temperature Range</b>	14°F to 212°F (-10°C to 100°C) Consult HYDAC for applications operating below 14°F (-10°C)	
<b>Fluid Compatibility</b>	Compatible with all hydrocarbon based, synthetic, water glycol, oil/water emulsion, and high water based fluids when the appropriate seals are selected.	
<b>Indicator Trip Pressure</b>		
	$\Delta P = 29$ psid (2 bar) -10% (optional)	
	$\Delta P = 72$ psid (5 bar) -10% (standard)	
<b>Bypass Valve Cracking Pressure</b>		
	$\Delta P = 43$ psid (3 bar) +10% (optional)	
	$\Delta P = 87$ psid (6 bar) +10% (standard)	

### Applications



Agricultural



Construction



Industrial



Power Generation

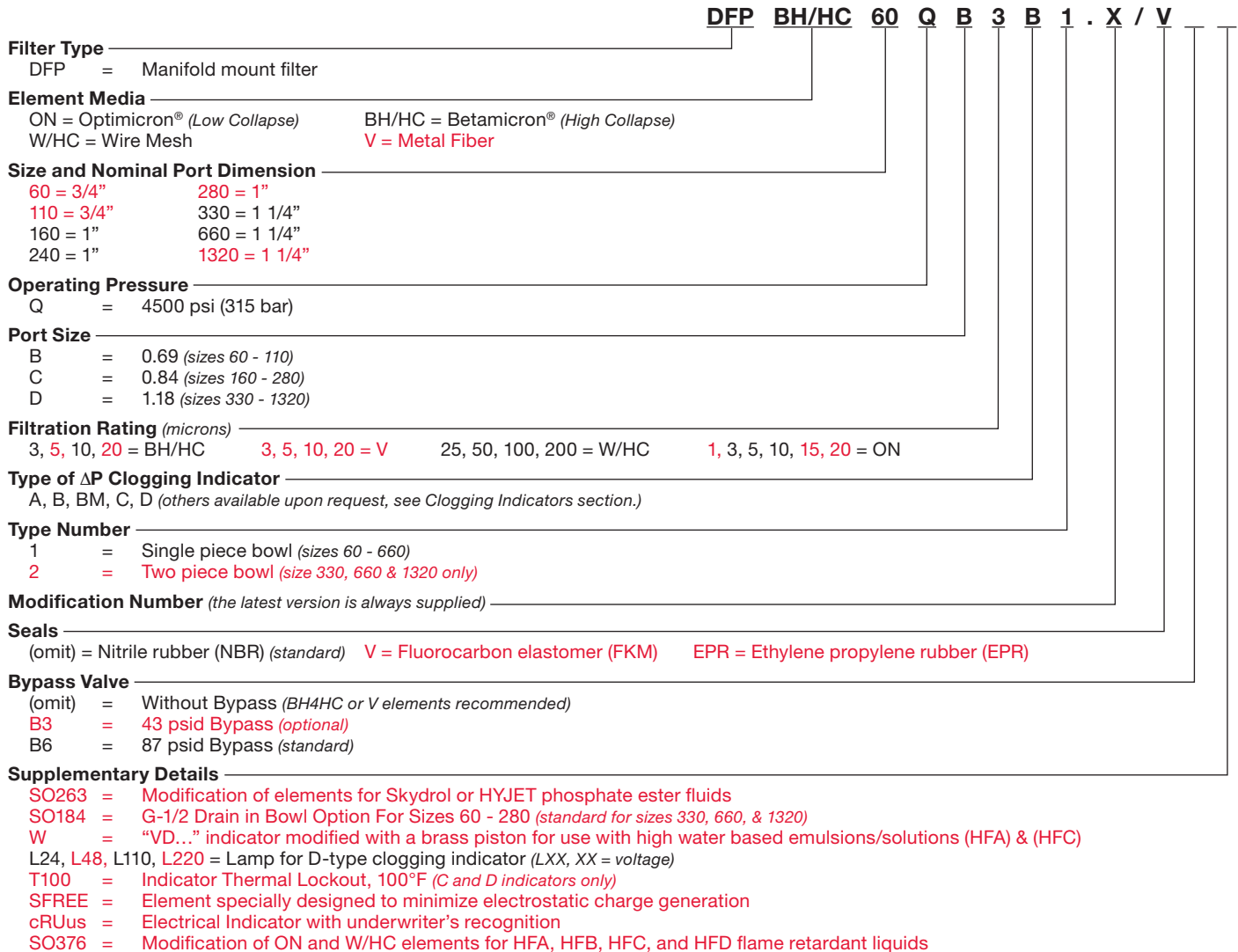


Railways

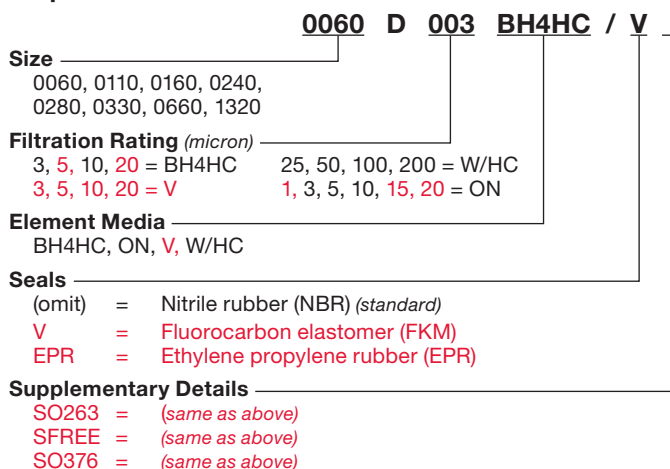


Steel / Heavy Industry

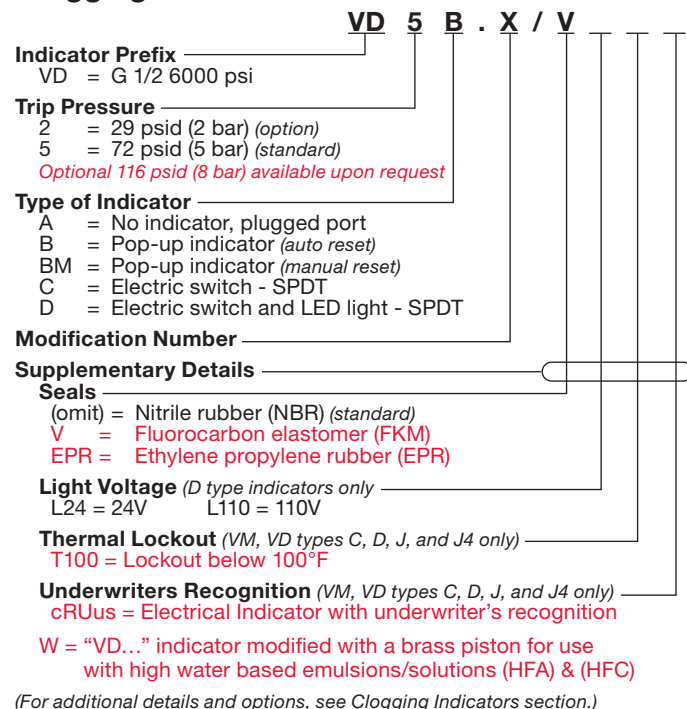
## Model Code



## Replacement Element Model Code



## Clogging Indicator Model Code

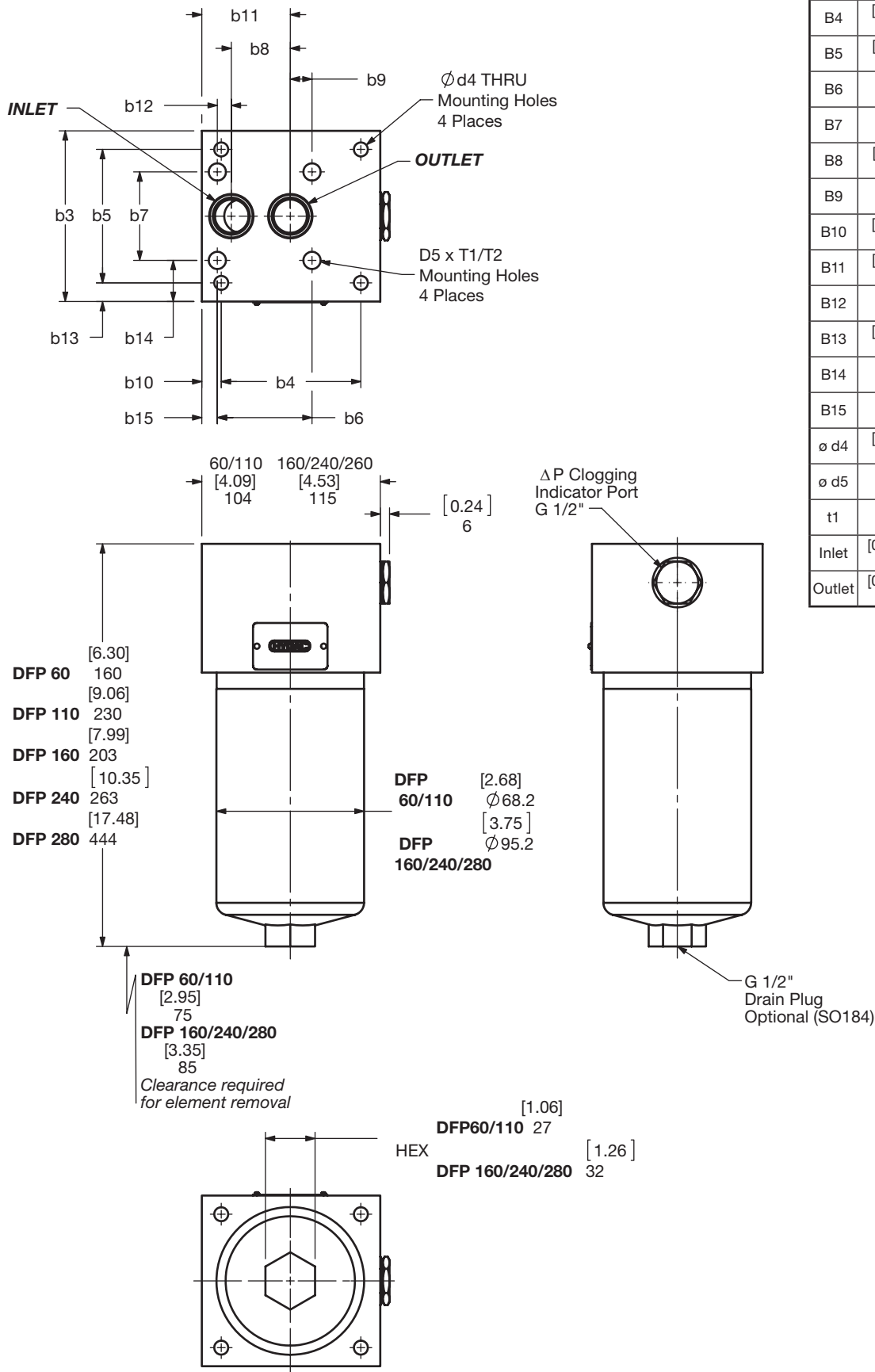


Model Codes Containing RED are non-stock items — Minimum quantities may apply — Contact HYDAC for information and availability

# HIGH PRESSURE FILTERS

## Dimensions

### DFP 60 – 280...1.X

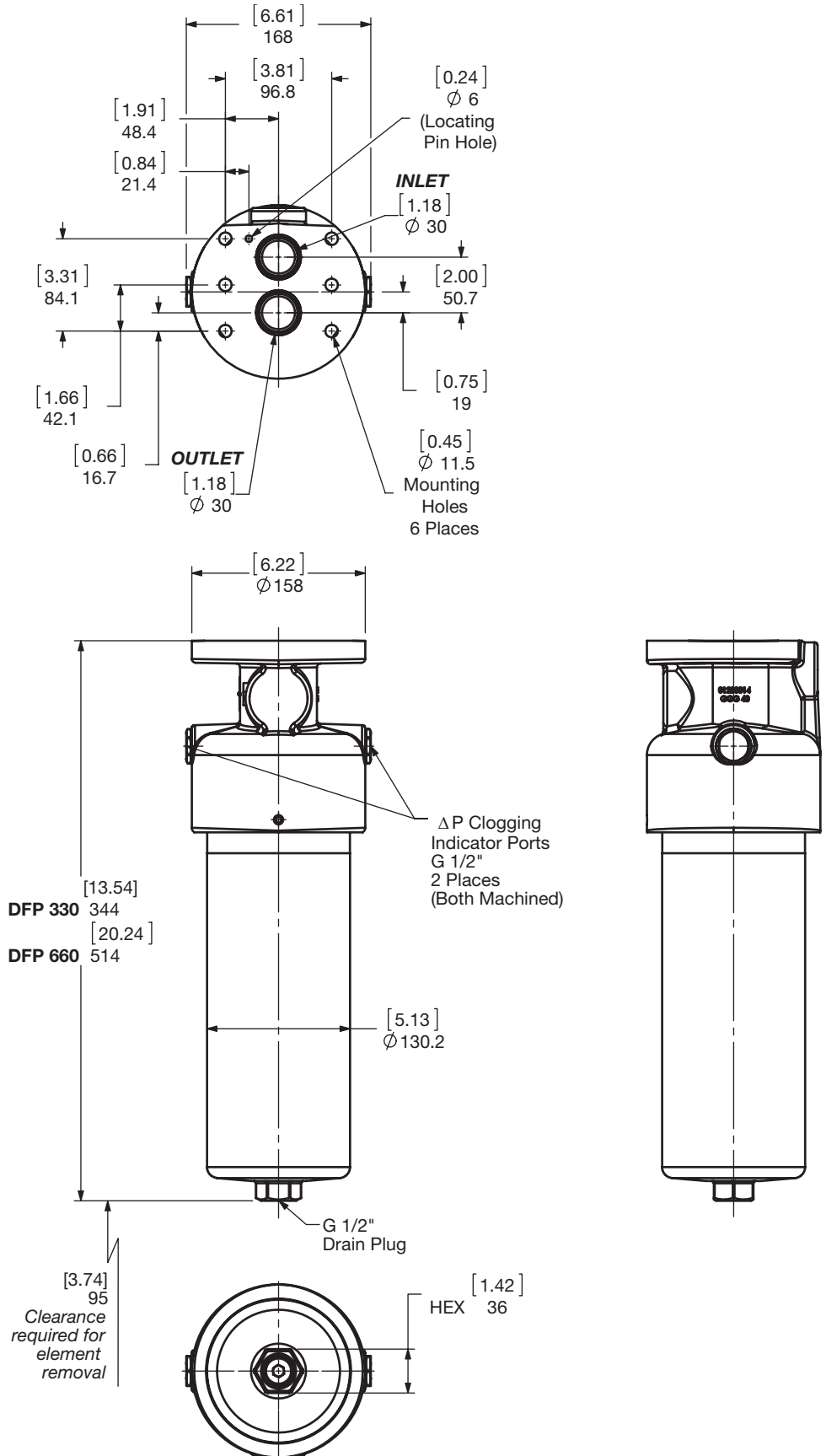


	60 / 110	160 / 240 / 280
B3	[3.15] 80	[4.33] 110
B4	[3.50] 89	[3.54] 90
B5	[1.25] 31.8	[3.39] 86
B6	-	[2.40] 61
B7	-	[2.24] 57
B8	[1.24] 31.6	[1.50] 38
B9	-	[0.55] 14
B10	[0.30] 7.5	[0.49] 12.5
B11	[2.20] 55.9	[2.26] 57.5
B12	-	[0.35] 9
B13	[0.95] 24.1	[0.47] 12
B14	-	[1.04] 26.5
B15	-	[0.41] 10.5
$\phi d4$	[0.33] 8.5	[0.35] 9
$\phi d5$	-	7/16-14UNC-2B
t1	-	[0.51] 13
Inlet	[0.639] 17.5	0.843" 21.4
Outlet	[0.689] 17.5	[0.843] 21.4

Size	60	110	160	240	280
Weight (lbs.)	11.3	13.3	20.1	23	32.5

Dimensions shown are [inches] millimeters for general information and overall envelope size only. Weights listed include element. For complete dimensions please contact HYDAC to request a certified print.

**Dimensions**  
**DFP 330/660...1.X**



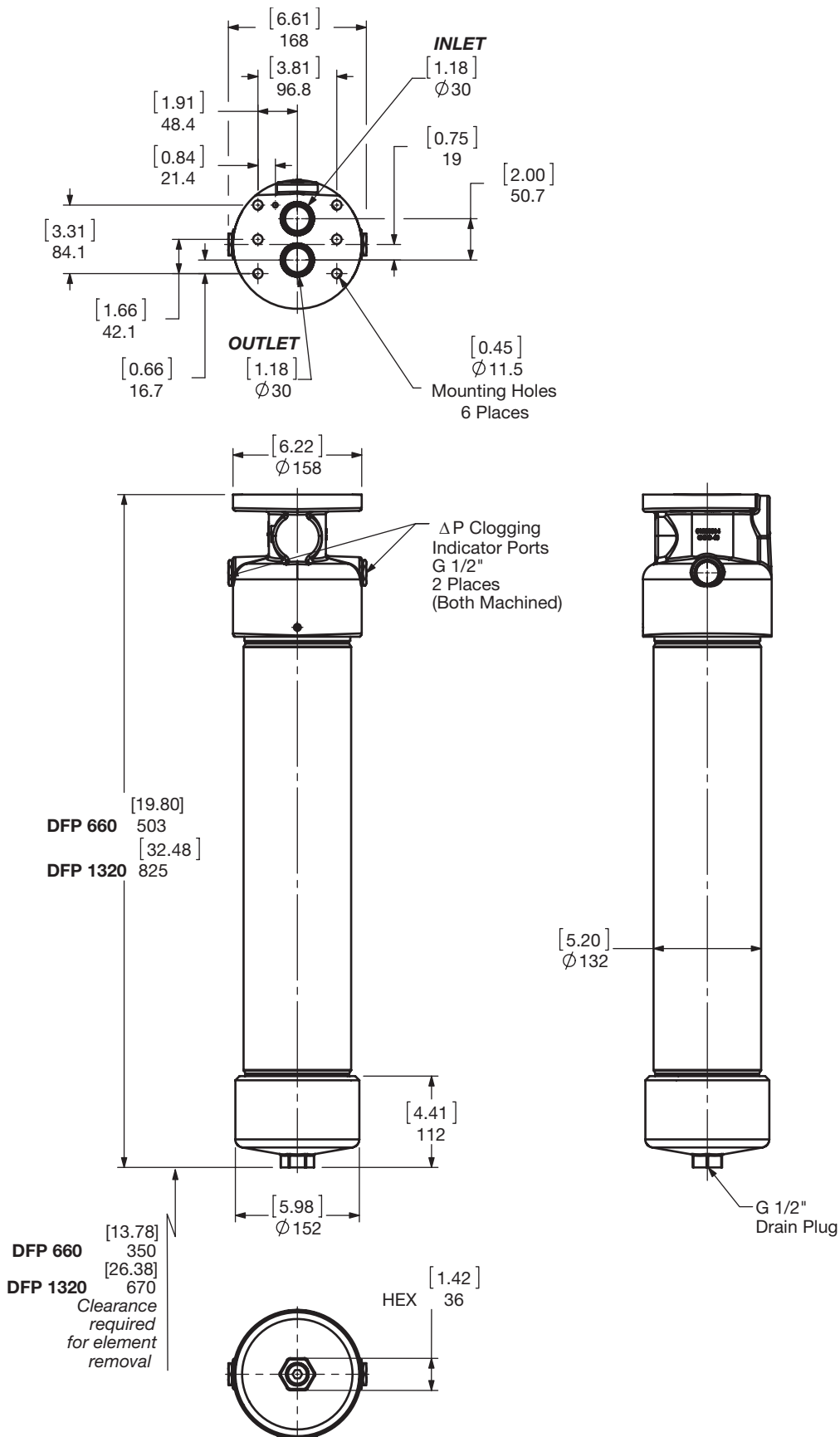
Size	330	660
Weight (lbs.)	46.3	64

Dimensions shown are [inches] millimeters for general information and overall envelope size only. Weights listed include element. For complete dimensions please contact HYDAC to request a certified print.

# HIGH PRESSURE FILTERS

## Dimensions

### DFP 660 & 1320...2.X



Size	660	1320
Weight (lbs.)	64	103.9

Dimensions shown are [inches] millimeters for general information and overall envelope size only. Weights listed include element.  
For complete dimensions please contact HYDAC to request a certified print.

## Sizing Information

Total pressure loss through the filter is as follows:

Assembly  $\Delta P$  = Housing  $\Delta P$  + Element  $\Delta P$

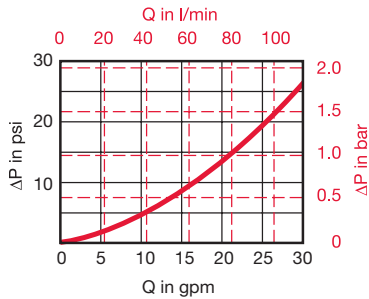
### Housing Curve:

Pressure loss through housing is as follows:

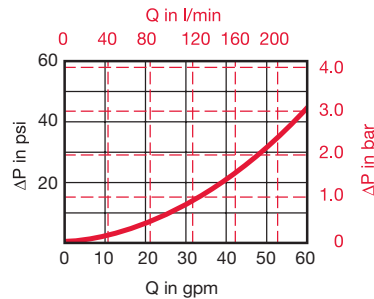
Housing  $\Delta P$  = Housing Curve  $\Delta P \times \frac{\text{Actual Specific Gravity}}{0.86}$

Adjustments must be made for viscosity & specific gravity of the fluid to be used! (see "Sizing HYDAC Filter Assemblies" in Section B - Overview)

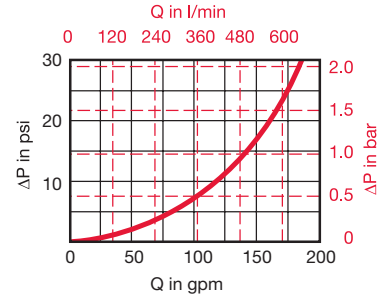
### DFP 60/110 Housing



### DFP 160/240/280 Housing



### DFP 330/660/1320 Housing



## Element K Factors

$\Delta P$  Elements = Elements (K) Flow Factor x Flow Rate (gpm) x  $\frac{\text{Actual Viscosity (SUS)}}{141 \text{ SUS}} \times \frac{\text{Actual Specific Gravity}}{0.86}$   
(From Tables Below)

Optimicron Size	...D...ON Elements					
	1 $\mu\text{m}$	3 $\mu\text{m}$	5 $\mu\text{m}$	10 $\mu\text{m}$	15 $\mu\text{m}$	20 $\mu\text{m}$
0060 D XXX ON	2.936	1.427	1.004	0.664	0.537	0.347
0110 D XXX ON	1.416	0.735	0.527	0.333	0.254	0.164
0160 D XXX ON	1.015	0.604	0.423	0.225	0.204	0.175
0240 D XXX ON	0.631	0.379	0.293	0.175	0.134	0.115
0280 D XXX ON	0.304	0.185	0.15	0.082	0.075	0.064
0330 D XXX ON	0.452	0.23	0.185	0.135	0.085	0.067
0660 D XXX ON	0.207	0.106	0.086	0.051	0.039	0.031
1320 D XXX ON	0.102	0.053	0.042	0.025	0.019	0.015

Betamicon Size	...D...BH4HC Elements (High Collapse)			
	3 $\mu\text{m}$	5 $\mu\text{m}$	10 $\mu\text{m}$	20 $\mu\text{m}$
0060 D XXX BH4HC	3.216	1.789	0.993	0.670
0110 D XXX BH4HC	1.394	0.818	0.489	0.307
0160 D XXX BH4HC	0.922	0.571	0.324	0.241
0240 D XXX BH4HC	0.582	0.373	0.214	0.159
0280 D XXX BH4HC	0.313	0.187	0.099	0.088
0330 D XXX BH4HC	0.423	0.247	0.154	0.110
0660 D XXX BH4HC	0.181	0.104	0.055	0.049
1320 D XXX BH4HC	0.088	0.055	0.033	0.022

Wire Mesh Size	...D...W/HC Elements (Low Collapse)
	25, 50, 100, 200 $\mu\text{m}$
0060 D XXX W/HC	0.042
0110 D XXX W/HC	0.023
0160 D XXX W/HC	0.016
0240 D XXX W/HC	0.010
0280 D XXX W/HC	0.005
0330 D XXX W/HC	0.008
0660 D XXX W/HC	0.004
1320 D XXX W/HC	0.002

Metal Fiber Size	...D...V Elements (High Collapse)			
	3 $\mu\text{m}$	5 $\mu\text{m}$	10 $\mu\text{m}$	20 $\mu\text{m}$
0060 D XXX V	0.877	0.511	0.296	0.183
0110 D XXX V	0.452	0.304	0.182	0.118
0160 D XXX V	0.251	0.177	0.123	0.079
0240 D XXX V	0.169	0.137	0.093	0.062
0280 D XXX V	0.126	0.093	0.064	0.041
0330 D XXX V	0.121	0.097	0.065	0.043
0660 D XXX V	0.063	0.050	0.034	0.021
1320 D XXX V	0.032	0.026	0.018	0.012

All Element K Factors in psi / gpm.