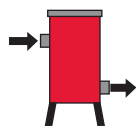


LOW PRESSURE FILTERS

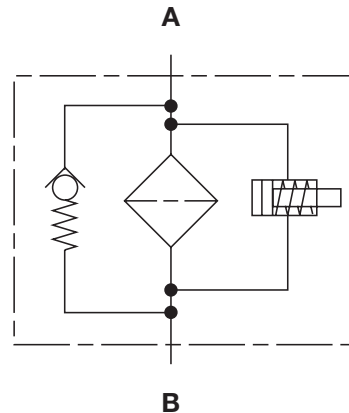
RFL Welded Series

Inline Filters

230 psi • up to 3900 gpm



Hydraulic Symbol



Features

- Models 1300 to 15000 are made of rolled steel housings with bolt-on steel lids; Stainless steel models are available.
- ANSI flange connections for each filter size provide maximum connection flexibility eliminating additional adapters and intermediate flanges.
- Inlet and outlet connections are located on opposite sides of the housings.
- Clogging indicators have no external dynamic seal. High reliability is achieved and magnetic actuation eliminates a leak point.

Notes: This filter is configured with anR..... type (return/low pressure) element, so if the filter requires a bypass, the bypass is located in the closed end cap of the cartridge element.

Most states and local jurisdictions in the United States require pressure vessels to be ASME stamped. It is the responsibility of the end customer to research and fully understand the ASME code requirements of the jurisdiction this filter will ultimately be installed in, and to fully communicate these requirements to HYDAC.

Applications



Gearboxes



Industrial



Power Generation



Pulp & Paper



Shipbuilding



Steel / Heavy Industry

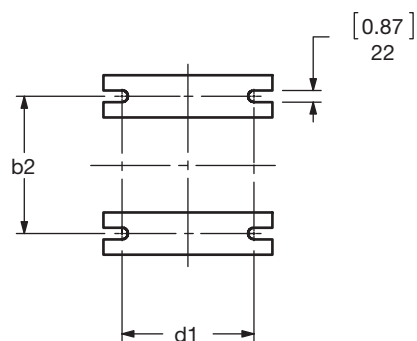
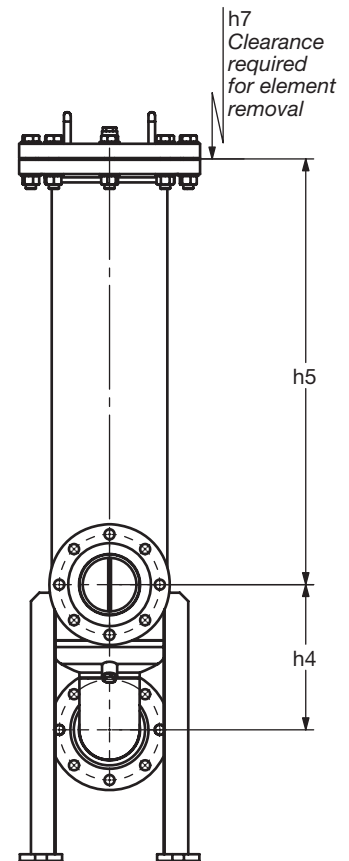
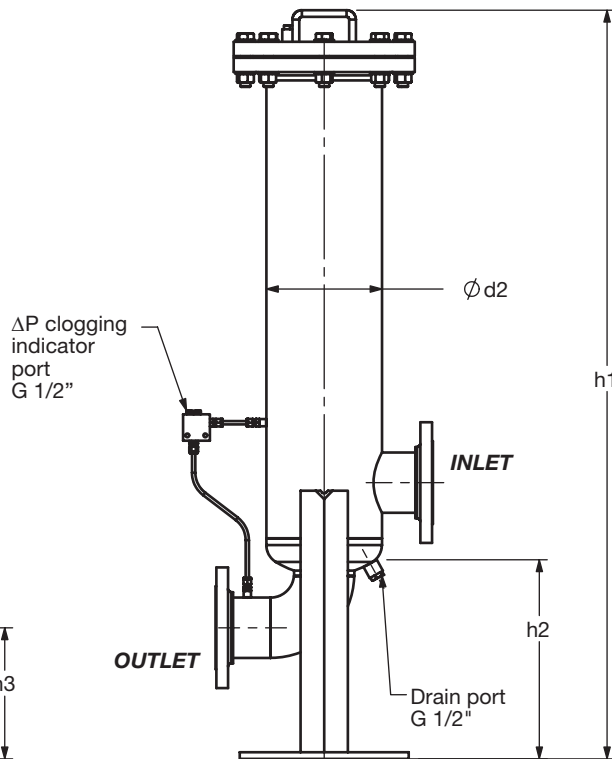
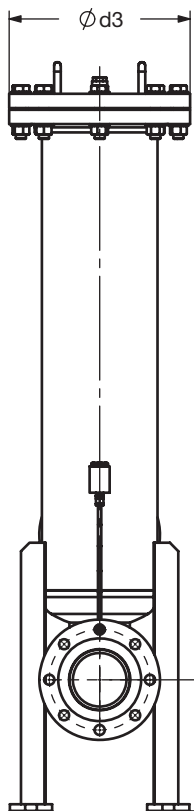
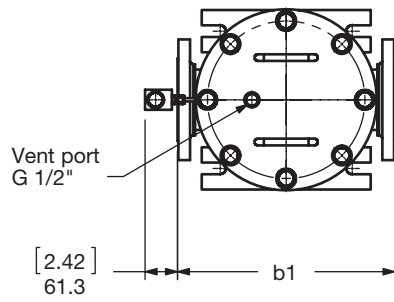
Technical Specifications

Mounting Method	Floor mounted legs
Port Connection	Typical Connections
1300/1320	4" ANSI 150# Flange
2500/2520	6" ANSI 150# Flange
4000/4020	8" ANSI 150# Flange
5200 - 7820	10" ANSI 150# Flange
15000/15020	12" ANSI 150# Flange
Flow Direction	Inlet & Outlet: Side
Construction Materials	Steel
Housing, Lid	Steel
Note: Please contact HYDAC for available stainless steel models.	
Flow Capacity	
1300/1320	350 gpm (1300 lpm)
2500/2520	650 gpm (2500 lpm)
4000/4020	1050 gpm (4000 lpm)
5200/5220	1400 gpm (5200 lpm)
6500/6520	1700 gpm (6500 lpm)
7800/7820	2050 gpm (7800 lpm)
15000/15020	4000 gpm (15000 lpm)
Housing Pressure Rating	
Max. Allowable Working Pressure	150 psi (10 bar) <i>(standard)</i> 232 psi (16 bar) <i>(optional)</i>
Fatigue Pressure	Contact HYDAC
Burst Pressure	Contact HYDAC
Element Collapse Pressure Rating	
ON, W/HC	290 psid (20 bar)
ECON2, BN4AM, AM, P/HC	145 psid (10 bar)
Fluid Temperature Range	14°F to 212°F (-10°C to 100°C)
Consult HYDAC for applications below 14°F (-10°C)	
Fluid Compatibility	Compatible with all hydrocarbon based, synthetic, water glycol, oil/water emulsion, and high water based fluids when the appropriate seals are selected.
Indicator Trip Pressure	
$\Delta P = 29$ psid (2 bar) -10% <i>(standard)</i>	
$\Delta P = 72$ psid (5 bar) -10% <i>(optional)</i>	
Bypass Valve Cracking Pressure	
$\Delta P = 43$ psid (3 bar) +10% <i>(standard)</i>	
$\Delta P = 87$ psid (6 bar) +10% <i>(optional)</i>	

LOW PRESSURE FILTERS

Dimensions

RFL 1300 - 2520



Dimensions shown are [inches] millimeters for general information and overall envelope size only. Weights listed include element.
For complete dimensions please contact HYDAC to request a certified print.

Dimensions RFL 1300 - 2520

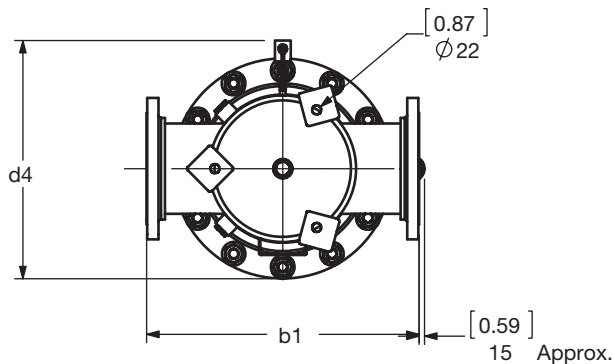
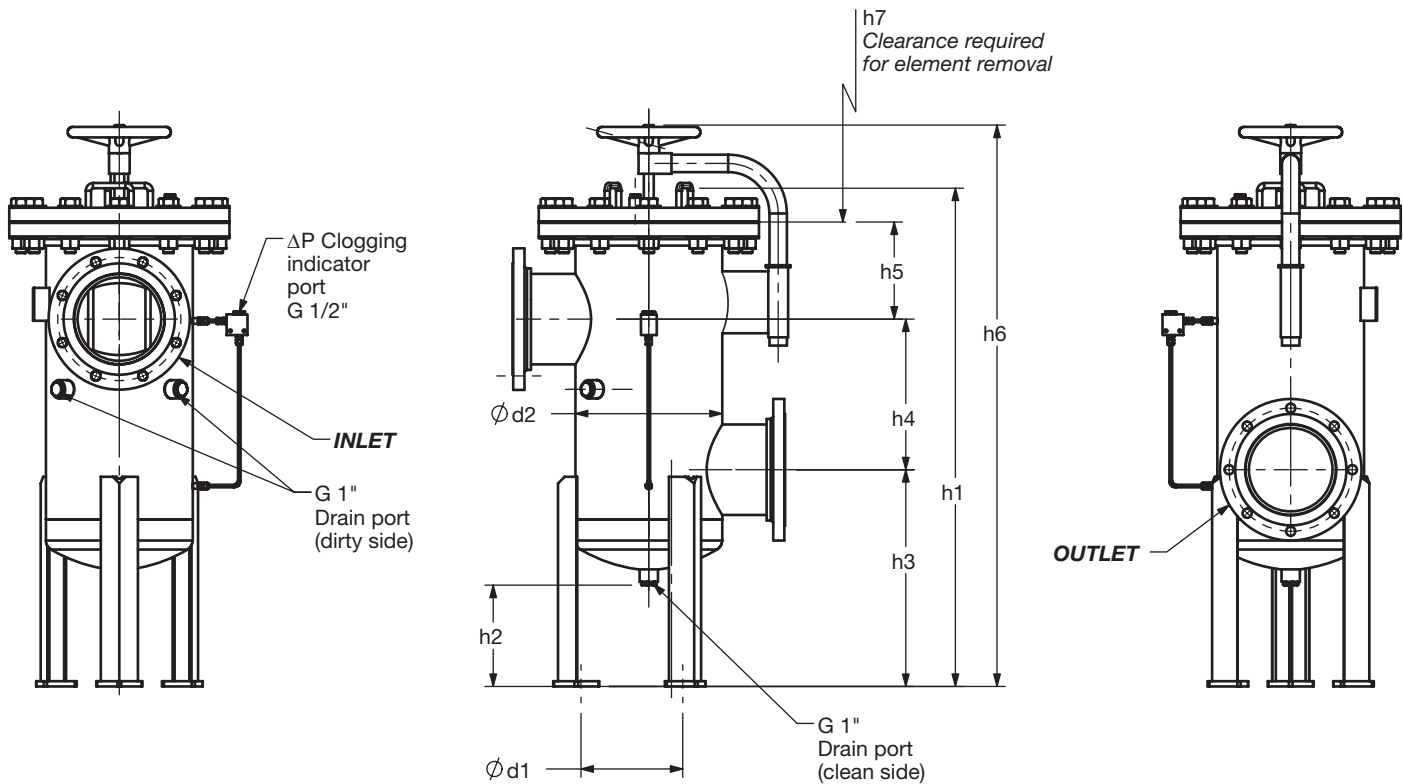
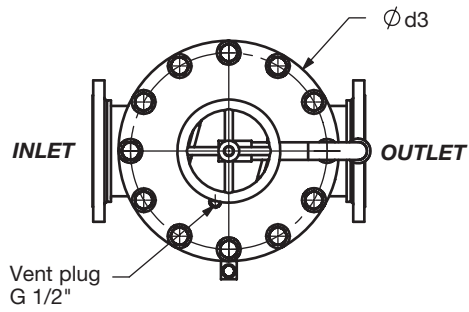
Size	Flange Port	b1	b2	d1	d2	d3	h1	h2	h3	h4	h5	h7	Wt. (lbs)	Use Bolt
RFL 1300	2" ANSI 150 lb RF	[16.22] 412	[10.24] 260	[9.84] 250	[8.63] 219.1	[13.39] 340	[38.72] 972	[14.57] 370	[10.47] 266	[9.45] 240	[15.12] 384	[19.69] 500	141/172	5/8"-11 UNC HEAVY HEX
	DIN DN 50	[16.22] 412	[10.24] 260	[9.84] 250	[8.63] 219.1	[13.39] 340	[38.72] 972	[14.57] 370	[10.47] 266	[9.45] 240	[15.12] 384	[19.69] 500	141/172	M16X2
RFL 1300/1320	3" ANSI 150 lb RF	[16.22] 412	[10.24] 260	[9.84] 250	[8.63] 219.1	[13.39] 340	[38.72] 972 [55.75] 1416	[14.57] 370	[10.47] 266	[9.45] 240	[15.12] 384 [32.44] 824	[19.69] 500 [37.01] 940	148/178	5/8"-11 UNC HEAVY HEX
	DIN DN 80	[16.22] 412	[10.24] 260	[9.84] 250	[8.63] 219.1	[13.39] 340	[38.72] 972 [55.75] 1416	[14.57] 370	[10.47] 266	[9.45] 240	[15.12] 384 [32.44] 824	[19.69] 500 [37.01] 940	148/178	M16X2
	4" ANSI 150 lb RF	[16.22] 412	[10.24] 260	[9.84] 250	[8.63] 219.1	[13.39] 340	[38.72] 972 [55.75] 1416	[14.57] 370	[9.96] 253	[10.83] 275	[14.25] 362 [31.57] 802	[19.69] 500 [37.01] 940	152/183	5/8"-11 UNC HEAVY HEX
	DIN DN 100	[16.22] 412	[10.24] 260	[9.84] 250	[8.63] 219.1	[13.39] 340	[38.72] 972 [55.75] 1416	[14.57] 370	[9.96] 253	[10.83] 275	[14.25] 362 [31.57] 802	[19.69] 500 [37.01] 940	152/183	M16X2
RFL 1320	DIN DN 125	[18.90] 480	[10.24] 260	[9.84] 250	[8.63] 219.1	[13.39] 340	[55.75] 1416	[14.57] 370	[8.46] 215	[11.46] 291	[32.44] 824	[37.01] 940	192	M16X2
RFL 2500/2520	3" ANSI 150 lb RF	[18.35] 466	[12.28] 312	[9.84] 250	[10.50] 273	[14.17] 360	[38.98] 990 [54.33] 1380	[8.66] 220	[15.28] 388	[16.14] 410	[4.72] 120 [20.08] 510	[16.54] 420 [31.89] 810	160/192	5/8"-11 UNC HEAVY HEX
	DIN DN 80	[18.35] 466	[12.28] 312	[9.84] 250	[10.50] 273	[14.17] 360	[38.98] 990 [54.33] 1380	[8.66] 220	[15.28] 388	[16.14] 410	[4.72] 120 [20.08] 510	[16.54] 420 [31.89] 810	160/192	M16X2
	4" ANSI 150 lb RF	[18.35] 466	[12.28] 312	[9.84] 250	[10.50] 273	[14.17] 360	[41.34] 1050 [56.69] 1440	[8.66] 220	[17.24] 438	[11.97] 304	[9.29] 236 [24.65] 626	[16.54] 420 [31.89] 810	167/199	5/8"-11 UNC HEAVY HEX
	DIN DN 100	[18.35] 466	[12.28] 312	[9.84] 250	[10.50] 273	[14.17] 360	[41.34] 1050 [56.69] 1440	[8.66] 220	[17.24] 438	[11.97] 304	[9.29] 236 [24.65] 626	[16.54] 420 [31.89] 810	167/199	M16X2
	DIN DN 125	[18.35] 466	[12.28] 312	[9.84] 250	[10.50] 273	[14.17] 360	[41.34] 1050 [56.69] 1440	[8.66] 220	[17.24] 438	[14.96] 380	[6.30] 160 [21.65] 550	[16.54] 420 [31.89] 810	176/208	M16X2
	6" ANSI 150 lb RF	[18.35] 466	[12.28] 312	[9.84] 250	[10.50] 273	[14.17] 360	[41.34] 1050 [56.69] 1440	[8.66] 220	[17.24] 438	[14.37] 365	[6.89] 175 [22.24] 565	[16.54] 420 [31.89] 810	185/217	3/4"-10 UNC HEAVY HEX
	DIN DN 150	[18.35] 466	[12.28] 312	[9.84] 250	[10.50] 273	[14.17] 360	[41.34] 1050 [56.69] 1440	[8.66] 220	[17.24] 438	[14.37] 365	[6.89] 175 [22.24] 565	[16.54] 420 [31.89] 810	185/217	M20X2.5

Dimensions shown are [inches] millimeters for general information and overall envelope size only. Weights listed include element. For complete dimensions please contact HYDAC to request a certified print..

LOW PRESSURE FILTERS

Dimensions

RFL 4000 - 15020



Dimensions shown are [inches] millimeters for general information and overall envelope size only. Weights listed include element.
For complete dimensions please contact HYDAC to request a certified print.

LOW PRESSURE FILTERS

Dimensions RFL 4000 - 15020

Size	Flange Port	b1	d1	d2	d3	d4	h1	h2	h3	h4	h5	h6	h7	Wt. (lbs.)	Use Bolt
RFL 4000/4020	DIN DN 100	[23.62] 600	[12.99] 330	[14.00] 355.6	[18.11] 460	[21.40] 543	[42.48] 1079 [57.83] 1469	[10.47] 266	[18.7] 475	[11.97] 304	[8.70] 221 [26.02] 661	[48.03] 1220 [65.35] 1660	[16.54] 420 [31.89] 810	267 /323	M16X2
	4" ANSI 150 LB RF	[23.62] 600	[12.99] 330	[14.00] 355.6	[18.11] 460	[21.37] 543	[42.48] 1079 [57.83] 1469	[10.47] 266	[18.7] 475	[11.97] 304	[8.70] 221 [26.02] 661	[48.03] 1220 [65.35] 1660	[16.54] 420 [31.89] 810	267 /323	5/8"-11 UNC HEAVY HEX
	DIN DN 125	[23.62] 600	[12.99] 330	[14.00] 355.6	[18.11] 460	[21.37] 543	[46.02] 1169 [57.44] 1459	[10.47] 266	[20.67] 525	[14.96] 380	[7.28] 185 [22.64] 575	[51.57] 1310 [66.93] 1700	[16.54] 420 [31.89] 810	281 /337	M16X2
	6" ANSI 150 LB RF	[23.62] 600	[12.99] 330	[14.00] 355.6	[18.11] 460	[21.37] 543	[46.02] 1169 [61.38] 1559	[10.47] 266	[20.67] 525	[14.96] 380	[7.87] 200 [23.23] 590	[52.17] 1325 [67.52] 1715	[16.54] 420 [31.89] 810	294 /350	3/4"-10 UNC HEAVY HEX
	DIN DN 150	[23.62] 600	[12.99] 330	[14.00] 355.6	[18.11] 460	[21.37] 543	[46.02] 1169 [61.38] 1559	[10.47] 266	[20.67] 525	[14.96] 380	[7.87] 200 [23.23] 590	[52.17] 1325 [67.52] 1715	[16.54] 420 [31.89] 810	294 /350	M20X2.5
	8" ANSI 150 LB RF	[23.62] 600	[12.99] 330	[14.00] 355.6	[18.11] 460	[21.37] 543	[47.4] 1204 [62.76] 1594	[10.47] 266	[20.67] 525	[14.37] 365	[9.25] 235 [24.61] 625	[52.95] 1345 [68.31] 1735	[16.54] 420 [31.89] 810	309 /365	3/4"-10 UNC HEAVY HEX
	DIN DN 200	[23.62] 600	[12.99] 330	[14.00] 355.6	[18.11] 460	[21.37] 543	[47.4] 1204 [62.76] 1594	[10.47] 266	[20.67] 525	[14.37] 365	[9.25] 235 [24.61] 625	[52.95] 1345 [68.31] 1735	[16.54] 420 [31.89] 810	309 /365	M20X2.5
RFL 5200/5220	DIN DN 100	[23.62] 600	[14.90] 380	[16.00] 406.4	[20.08] 510	[23.35] 593	[45.04] 1144 [62.36] 1584	[9.61] 244	[18.31] 465	[11.97] 304	[11.69] 297 [29.02] 737	[50.63] 1286 [67.95] 1726	[19.69] 500 [37.01] 940	353 /450	M16X2
	4" ANSI 150 LB RF	[23.62] 600	[14.90] 380	[16.00] 406.4	[20.08] 510	[23.35] 593	[45.04] 1144 [62.36] 1584	[9.61] 244	[18.31] 465	[11.97] 304	[11.69] 297 [29.02] 737	[50.63] 1286 [67.95] 1726	[19.69] 500 [37.01] 940	353 /450	5/8"-11 UNC HEAVY HEX
	DIN DN 125	[23.62] 600	[14.90] 380	[16.00] 406.4	[20.08] 510	[23.35] 593	[49.45] 1256 [66.77] 1696	[9.61] 244	[20.67] 525	[14.96] 380	[10.67] 271 [27.99] 711	[54.96] 1396 [72.28] 1836	[19.69] 500 [37.01] 940	375 /472	M16X2
	DIN DN 150	[23.62] 600	[14.90] 380	[16.00] 406.4	[20.08] 510	[23.35] 593	[49.45] 1256 [66.77] 1696	[9.61] 244	[20.67] 525	[14.37] 365	[11.26] 286 [28.58] 726	[54.96] 1396 [72.28] 1836	[19.69] 500 [37.01] 940	386 /483	M20X2.5
	6" ANSI 150 LB RF	[23.62] 600	[14.90] 380	[16.00] 406.4	[20.08] 510	[23.35] 593	[49.45] 1256 [66.77] 1696	[9.61] 244	[20.67] 525	[14.37] 365	[11.26] 286 [28.58] 726	[54.96] 1396 [72.28] 1836	[19.69] 500 [37.01] 940	386 /483	3/4"-10 UNC HEAVY HEX
	DIN DN 200	(25.20) 640	[14.90] 380	[16.00] 406.4	[20.08] 510	[23.35] 593	[49.45] 1256 [66.77] 1696	[9.61] 244	[20.67] 525	[14.37] 365	[11.26] 286 [28.58] 726	[54.96] 1396 [72.28] 1836	[19.69] 500 [37.01] 940	395 /492	M20X2.5
	8" ANSI 150 LB RF	(25.20) 640	[14.90] 380	[16.00] 406.4	[20.08] 510	[23.35] 593	[49.45] 1256 [66.77] 1696	[9.61] 244	[20.67] 525	[14.37] 365	[11.26] 286 [28.58] 726	[54.96] 1396 [72.28] 1836	[19.69] 500 [37.01] 940	395 /492	3/4"-10 UNC HEAVY HEX
	DIN DN 250	(25.98) 660	[14.90] 380	[16.00] 406.4	[20.08] 510	[23.35] 593	[52.13] 1324 [69.45] 1764	[9.61] 244	[22.05] 560	[17.72] 450	[9.29] 236 [26.61] 676	[57.72] 1466 [75.04] 1906	[19.69] 500 [37.01] 940	428 /525	M24X3
	10" ANSI 150 LB RF	(25.98) 660	[14.90] 380	[16.00] 406.4	[20.08] 510	[23.35] 593	[52.13] 1324 [69.45] 1764	[9.61] 244	[22.05] 560	[17.72] 450	[9.29] 236 [26.61] 676	[57.72] 1466 [75.04] 1906	[19.69] 500 [37.01] 940	428 /525	7/8"-9UNC HEAVY HEX

Dimensions shown are [inches] millimeters for general information and overall envelope size only. Weights listed include element. For complete dimensions please contact HYDAC to request a certified print..

See next pages for other sizes of dimensions.

LOW PRESSURE FILTERS

Dimensions

RFL 4000 - 15020

Size	Flange Port	b1	d1	d2	d3	d4	h1	h2	h3	h4	h5	h6	h7	Wt. (lbs.)	Use Bolt
RFL 6500/6520	DIN DN 100	[29.13] 740	[18.90] 480	[20.00] 508	[24.41] 620	[27.51] 699	[49.61] 1260 [66.93] 1700	[10.04] 255	[21.26] 540	[11.97] 304	[13.23] 336 [30.55] 776	[55.31] 1405 [72.64] 1845	[19.69] 500 [37.01] 940	487/604	M16X2
	4" ANSI 150 LB RF	[29.13] 740	[18.90] 480	[20.00] 508	[24.41] 620	[27.51] 699	[49.61] 1260 [66.93] 1700	[10.04] 255	[21.26] 540	[11.97] 304	[13.23] 336 [30.55] 776	[55.31] 1405 [72.64] 1845	[19.69] 500 [37.01] 940	487/604	5/8"-11UNC HEAVY HEX
	DIN DN 125	[29.13] 740	[18.90] 480	[20.00] 508	[24.41] 620	[27.51] 699	[49.61] 1260 [66.93] 1700	[10.04] 255	[21.26] 540	[14.96] 380	[10.24] 260 [27.56] 700	[55.31] 1405 [72.64] 1845	[19.69] 500 [37.01] 940	496/613	M16X2
	DIN DN 150	[29.13] 740	[18.90] 480	[20.00] 508	[24.41] 620	[27.51] 699	[49.61] 1260 [66.93] 1700	[10.04] 255	[21.26] 540	[14.37] 365	[10.83] 275 [28.15] 715	[55.31] 1405 [72.64] 1845	[19.69] 500 [37.01] 940	507/624	M20X2.5
	6" ANSI 150 LB RF	[29.13] 740	[18.90] 480	[20.00] 508	[24.41] 620	[27.51] 699	[49.61] 1260 [66.93] 1700	[10.04] 255	[21.26] 540	[14.37] 365	[10.83] 275 [28.15] 715	[55.31] 1405 [72.64] 1845	[19.69] 500 [37.01] 940	507/ 624	3/4"-10UNC HEAVY HEX
	DIN DN 200	[29.13] 740	[18.90] 480	[20.00] 508	[24.41] 620	[27.51] 699	[54.33] 1380 [71.65] 1820	[10.04] 255	[23.62] 600	[18.11] 460	[9.45] 240 [26.77] 680	[60.04] 1525 [77.36] 1965	[19.69] 500 [37.01] 940	540/657	M20X2.5
	8" ANSI 150 LB RF	[29.13] 740	[18.90] 480	[20.00] 508	[24.41] 620	[27.51] 699	[54.33] 1380 [71.65] 1820	[10.04] 255	[23.62] 600	[18.11] 460	[9.45] 240 [26.77] 680	[60.04] 1525 [77.36] 1965	[19.69] 500 [37.01] 940	540/657	3/4"-10UNC HEAVY HEX
	DIN DN 250	[30.71] 780	[18.90] 480	[20.00] 508	[24.41] 620	[27.51] 699	[54.33] 1380 [71.65] 1820	[10.04] 255	[23.62] 600	[17.72] 450	[9.84] 250 [27.17] 690	[60.04] 1525 [77.36] 1965	[19.69] 500 [37.01] 940	562/679	M24X3
	10" ANSI 150 LB RF	[30.71] 780	[18.90] 480	[20.00] 508	[24.41] 620	[27.51] 699	[54.33] 1380 [71.65] 1820	[10.04] 255	[23.62] 600	[17.72] 450	[9.84] 250 [27.17] 690	[60.04] 1525 [77.36] 1965	[19.69] 500 [37.01] 940	562/679	7/8"-9UNC HEAVY HEX
RFL 7800/7820	DIN DN 100	[29.13] 740	[18.90] 480	[20.00] 508	[24.41] 620	[27.51] 699	[49.61] 1260 [66.93] 1700	[10.04] 255	[21.26] 540	[11.97] 304	[13.23] 336 [30.55] 776	[55.31] 1405 [72.64] 1845	[19.69] 500 [37.01] 940	496/622	M16X2
	4" ANSI 150 LB RF	[29.13] 740	[18.90] 480	[20.00] 508	[24.41] 620	[27.51] 699	[49.61] 1260 [66.93] 1700	[10.04] 255	[21.26] 540	[11.97] 304	[13.23] 336 [30.55] 776	[55.31] 1405 [72.64] 1845	[19.69] 500 [37.01] 940	496/622	5/8"-11UNC HEAVY HEX
	DIN DN 125	[29.13] 740	[18.90] 480	[20.00] 508	[24.41] 620	[27.51] 699	[49.61] 1260 [66.93] 1700	[10.04] 255	[21.26] 540	[14.96] 380	[10.24] 260 [27.56] 700	[55.31] 1405 [72.64] 1845	[19.69] 500 [37.01] 940	505/631	M16X2
	6" ANSI 150 LB RF	[29.13] 740	[18.90] 480	[20.00] 508	[24.41] 620	[27.51] 699	[49.61] 1260 [66.93] 1700	[10.04] 255	[21.26] 540	[14.37] 365	[10.24] 260 [27.56] 700	[54.72] 1390 [72.05] 1830	[19.69] 500 [37.01] 940	505/631	5/8"-11UNC HEAVY HEX
	DIN DN 150	[29.13] 740	[18.90] 480	[20.00] 508	[24.41] 620	[27.51] 699	[49.61] 1260 [66.93] 1700	[10.04] 255	[21.26] 540	[14.37] 365	[10.83] 275 [28.15] 715	[54.72] 1390 [72.05] 1830	[19.69] 500 [37.01] 940	516/642	M20X2.5
	DIN DN 200	[29.13] 740	[18.90] 480	[20.00] 508	[24.41] 620	[27.51] 699	[54.33] 1380 [71.65] 1820	[10.04] 255	[23.62] 600	[18.11] 460	[9.45] 240 [26.77] 680	[60.04] 1525 [77.36] 1965	[19.69] 500 [37.01] 940	549/675	M20X2.5
	8" ANSI 150 LB RF	[29.13] 740	[18.90] 480	[20.00] 508	[24.41] 620	[27.51] 699	[54.33] 1380 [71.65] 1820	[10.04] 255	[23.62] 600	[18.11] 460	[9.45] 240 [26.77] 680	[60.04] 1525 [77.36] 1965	[19.69] 500 [37.01] 940	549/675	3/4"-10UNC HEAVY HEX
	DIN DN 250	[30.71] 780	[18.90] 480	[20.00] 508	[24.41] 620	[27.51] 699	[54.33] 1380 [71.65] 1820	[10.04] 255	[23.62] 600	[17.72] 450	[9.84] 250 [27.17] 690	[60.04] 1525 [77.36] 1965	[19.69] 500 [37.01] 940	571/697	M24X3
	10" ANSI 150 LB RF	[30.71] 780	[18.90] 480	[20.00] 508	[24.41] 620	[27.51] 699	[54.33] 1380 [71.65] 1820	[10.04] 255	[23.62] 600	[17.72] 450	[9.84] 250 [27.17] 690	[60.04] 1525 [77.36] 1965	[19.69] 500 [37.01] 940	571/697	7/8"-9UNC HEAVY HEX

Dimensions shown are [inches] millimeters for general information and overall envelope size only. Weights listed include element.

For complete dimensions please contact HYDAC to request a certified print..

Dimensions RFL 4000 - 15020

Size	Flange Port	b1	d1	d2	d3	d4	h1	h2	h3	h4	h5	h6	h7	Wt. (lbs.)	Use Bolt
RFL 15000/ 15020	DIN DN 200	[39.37] 1000	[27.17] 690	[27.99] 711	[32.68] 830	[35.66] 906	[56.1] 1425 [73.43] 1865	[10.35] 263	[25.79] 655	[14.37] 365	[12.99] 330 [30.31] 770	[64.17] 1630 [81.50] 2070	[19.69] 500 [37.01] 940	1047/1254	M20X2.5
	8" ANSI 150 LB RF	[39.37] 1000	[27.17] 690	[27.99] 711	[32.68] 830	[35.66] 906	[56.1] 1425 [73.43] 1865	[10.35] 263	[25.79] 655	[14.37] 365	[12.99] 330 [30.31] 770	[63.98] 1625 [81.50] 2070	[19.69] 500 [37.01] 940	1047/1254	3/4"- 10UNC HEAVY HEX
	DIN DN 250	[39.37] 1000	[27.17] 690	[27.99] 711	[32.68] 830	[35.66] 906	[56.1] 1425 [73.43] 1865	[10.35] 263	[25.79] 655	[17.72] 450	[9.65] 245 [26.97] 685	[63.98] 1625 [81.50] 2070	[19.69] 500 [37.01] 940	1074/1280	M24X3
	10" ANSI 150 LB RF	[39.37] 1000	[27.17] 690	[27.99] 711	[32.68] 830	[35.66] 906	[56.1] 1425 [73.43] 1865	[10.35] 263	[25.79] 655	[17.72] 450	[9.65] 245 [26.97] 685	[63.98] 1625 [81.50] 2070	[19.69] 500 [37.01] 940	1074/1280	7/8"- 9UNC HEAVY HEX
	DIN DN 300	[39.37] 1000	[27.17] 690	[27.99] 711	[32.68] 830	[35.66] 906	[58.86] 1495 [76.18] 1935	[10.35] 263	[26.38] 670	[20.28] 515	[9.25] 235 [26.57] 675	[66.93] 1700 [84.25] 2140	[19.69] 500 [37.01] 940	1129/1335	M24X3
	12" ANSI 150 LB RF	[39.37] 1000	[27.17] 690	[27.99] 711	[32.68] 830	[35.66] 906	[58.86] 1495 [76.18] 1935	[10.35] 263	[26.38] 670	[20.28] 515	[9.25] 235 [26.57] 675	[66.93] 1700 [84.25] 2140	[19.69] 500 [37.01] 940	1129/1335	7/8"- 9UNC HEAVY HEX

Dimensions shown are [inches] millimeters for general information and overall envelope size only. Weights listed include element. For complete dimensions please contact HYDAC to request a certified print..

LOW PRESSURE FILTERS

Sizing Information

Total pressure loss through the filter is as follows:

Assembly ΔP = Housing ΔP + Element ΔP

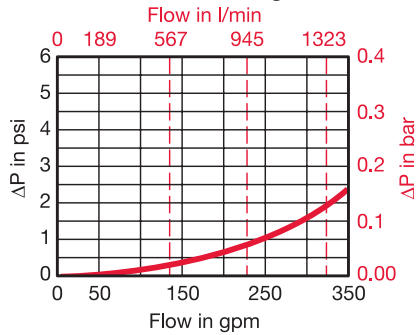
Housing Curve:

Pressure loss through housing is as follows:

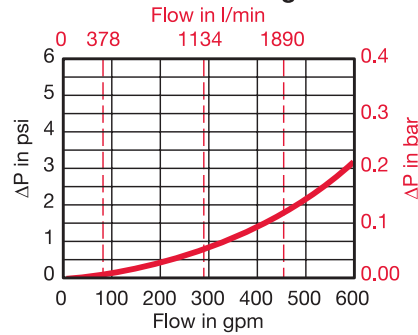
Housing ΔP = Housing Curve $\Delta P \times \frac{\text{Actual Specific Gravity}}{0.86}$

Adjustments must be made for viscosity & specific gravity of the fluid to be used! (see "Sizing HYDAC Filter Assemblies" in Section B - Overview)

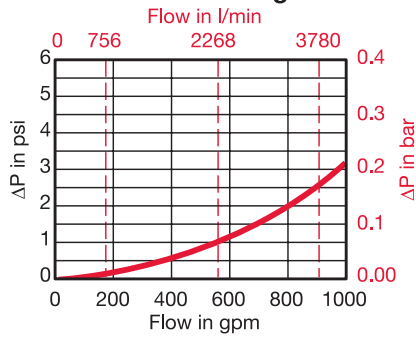
**RFL 1300/1320 Housing
w/ ANSI 4" Flange**



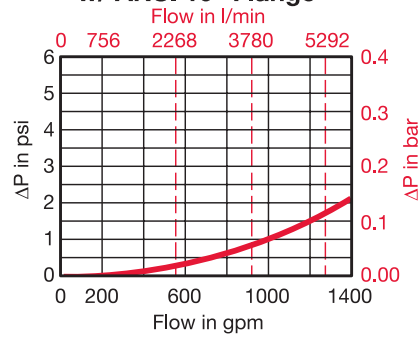
**RFL 2500/2520 Housing
w/ ANSI 6" Flange**



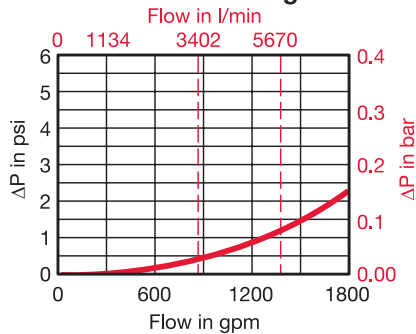
**RFL 4000/4020 Housing
w/ ANSI 8" Flange**



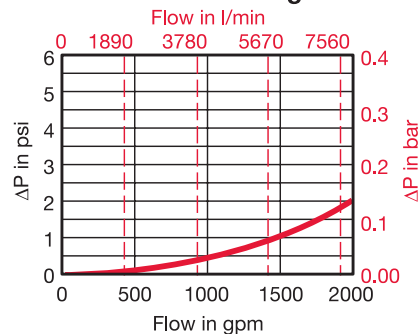
**RFL 5200/5220 Housing
w/ ANSI 10" Flange**



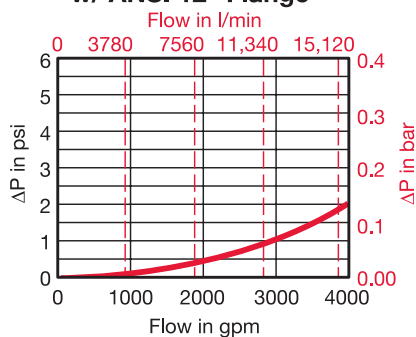
**RFL 6500/6520 Housing
w/ ANSI 10" Flange**



**RFL 7800/7820 Housing
w/ ANSI 10" Flange**



**RFL 15000/15020 Housing
w/ ANSI 12" Flange**



Required Element Per Housing

Housing Size	Element Size	Elements per Side
1300 / 1320	1300 / 2600	1 / 1
2500 / 2520	0850 / 1700	3 / 3
4000 / 4020	0850 / 1700	5 / 5
5200 / 5220	1300 / 2600	4 / 4
6500 / 6520	1300 / 2600	5 / 5
7800 / 7820	1300 / 2600	6 / 6
15000 / 15020	1300 / 2600	10 / 10

Element K Factors

$$\Delta P \text{ Elements} = \text{Elements (K) Flow Factor} \times \text{Flow Rate (gpm)} \times \frac{\text{Actual Viscosity (SUS)}}{141 \text{ SUS}} \times \frac{\text{Actual Specific Gravity}}{0.86}$$

(From Tables Below)

Optimicron	...R...ON					
Size	1 µm	3 µm	5 µm	10 µm	15 µm	20 µm
0850 R XXX ON	0.152	0.072	0.055	0.032	0.024	0.02
1300 R XXX ON	0.094	0.04	0.032	0.019	0.018	0.012
1700 R XXX ON	0.074	0.035	0.029	0.015	0.014	0.01
2600 R XXX ON	0.046	0.02	0.016	0.01	0.009	0.006

Stat-X	...R...XSX				
Size	3 µm	5 µm	10 µm	20 µm	
0850 R XXX XSX	0.072	0.055	0.032	0.02	
1300 R XXX XSX	0.04	0.032	0.019	0.012	
1700 R XXX XSX	0.035	0.029	0.015	0.01	
2600 R XXX XSX	0.02	0.016	0.01	0.006	

ECOMICRON	...R...ECON2				
Size	3 µm	5 µm	10 µm	20 µm	
0850 R XXX ECON2	0.082	0.055	0.038	0.022	
1300 R XXX ECON2	0.044	0.033	0.022	0.016	
1700 R XXX ECON2	0.038	0.027	0.016	0.011	
2600 R XXX ECON2	0.022	0.016	0.011	0.005	

Betamicron/Aquamicron	...R...BN4AM	
Size	3 µm	10 µm
0850 R XXX BN4AM	0.154	0.049
1300 R XXX BN4AM	0.088	0.033
1700 R XXX BN4AM	0.071	0.027
2600 R XXX BN4AM	0.055	0.016

Aquamicron	...R...AM	
Size	10 µm	40 µm
0850 R 040 AM	0.040	
1300 R 040 AM	0.026	
1700 R 040 AM	0.020	
2600 R 040 AM	0.013	

Wire Screen	...R...W/HC	
Size	25, 50, 100, 200 µm	
0850 R XXX W/HC	0.003	
1300 R XXX W/HC	0.002	
1700 R XXX W/HC	0.001	
2600 R XXX W/HC	0.001	

Polyester	...R...P/HC	
Size	10 µm	20 µm
0850 R XXX P/HC	0.007	0.003
1300 R XXX P/HC	0.004	0.002
1700 R XXX P/HC	0.003	0.002
2600 R XXX P/HC	0.002	0.001

All Element K Factors in psi / gpm.