

HDP 240 Series

On-Board Diesel Fuel Coalescing Filter
up to 63 gph (240 lph) • <14.5 psia (<1 bar absolute)



Model No.: HDP KF1 240 BC1 xx W
1.1 /-AS16-H3L-PH4R-DLO-TR



Model No.: HDP KF1 240 BC1 xx W
1.1 /-PH4L-DOO

Description

Mobile machines and commercial vehicles are subject to the toughest working conditions. To ensure smooth operation of vehicles, and to protect both the engine and exhaust aftertreatment from damage, optimum diesel fuel conditioning is particularly important. The new HDP 240 BC expands the HYDAC product portfolio in the field of fuel filtration on modern diesel engines. While formerly a flow volume from 90 to 476 gph (340 to 1800 lph) has been covered, this new product complements the lower engine power range with fuel system flow rates up to 63 gph (240 lph).

Features

- Our new 63 gph fuel filter is designed with compact off-highway equipment in mind
- Our high performance, dual function diesel filtration and water separation uses the same two-stage element design found in our larger filters
- Dual function: Diesel filtration and water separation through the two-stage element designs
- High performance stability due to an efficient water separation on clean side over the entire service life
- Simple and fast element replacement makes servicing the HDP 240 easy
- Easy installation and flexibility due to various porting configurations options
- Guaranteed quality as the filter can only be operated with use of quality replacement elements
- Modular porting, priming pump, and heater options make for easy installation and servicing in tight spaces

Options Available

- Transparent or black bowl
- Fuel pre-heater
- Water-in-fuel sensor (necessary with black bowl)
- Hand priming pump
- Various Inlet/Outlet port configuration options
(consult factory for special requests)

Technical Specifications

Flow Rating	up to 63 gph (up to 240 lph)
Operating Pressure	<14.5 psia, (<1 bar absolute) suction side application
Temperature Range	-40°F to 194°F (-40°C to 90°C)
Nominal Voltage	WIF: 12/24VDC Heater: 12VDC
Fuel Preheater Rated Power	175W
Weight of included element	240 BC: approx. 2.7 lbs (1.2 kg.)
Water Separation Efficiency	>95% to ISO CD 16332
Porting Thread	M16 x 1.5, SAE-06 ORB

ON-BOARD FUEL FILTRATION PRODUCTS

Model Code *(also order example)*

HDP KF1 240 BC1 7 W 1 . X / - AS17 - HL3 - PH4R - DOO - TR - 6

Filter Series

HDP = HYDAC Diesel PreCare

Filter Material

KF1 = Dieselmicron®

Size

240 = 63 gph (240 lph)

Evolution Stage

BC1 = Manual Drain Configuration

Filtration Rating

7 = 7µm

Type of Clogging Indicator

W = no clogging indicator

Type Code

1

Modification Number

X = latest version number always supplied

Options

AS16 = WIF sensor w/ integral drain

AS17 = Cummins-ready WIF sensor w/ integral drain

H3L = Integrated fuel pre-heater (12 VDC) Left inlet port orientation

PH4R = Hand Priming Pump. Right-handed operation

Port Orientation

DOO = Inlet top, outlet top

DLO = Inlet left, outlet top

Bowl Option

(omit) = Black *(requires WIF sensor)*

TR = Transparent

Port Size

(omit) = M16 x 1.5

6 = SAE-06 J1926 ORB

Notes: For other options or configurations not listed below, please contact factory

- Porting orientation not listed in model code builder

- SAE J2044 Quick Connect Porting

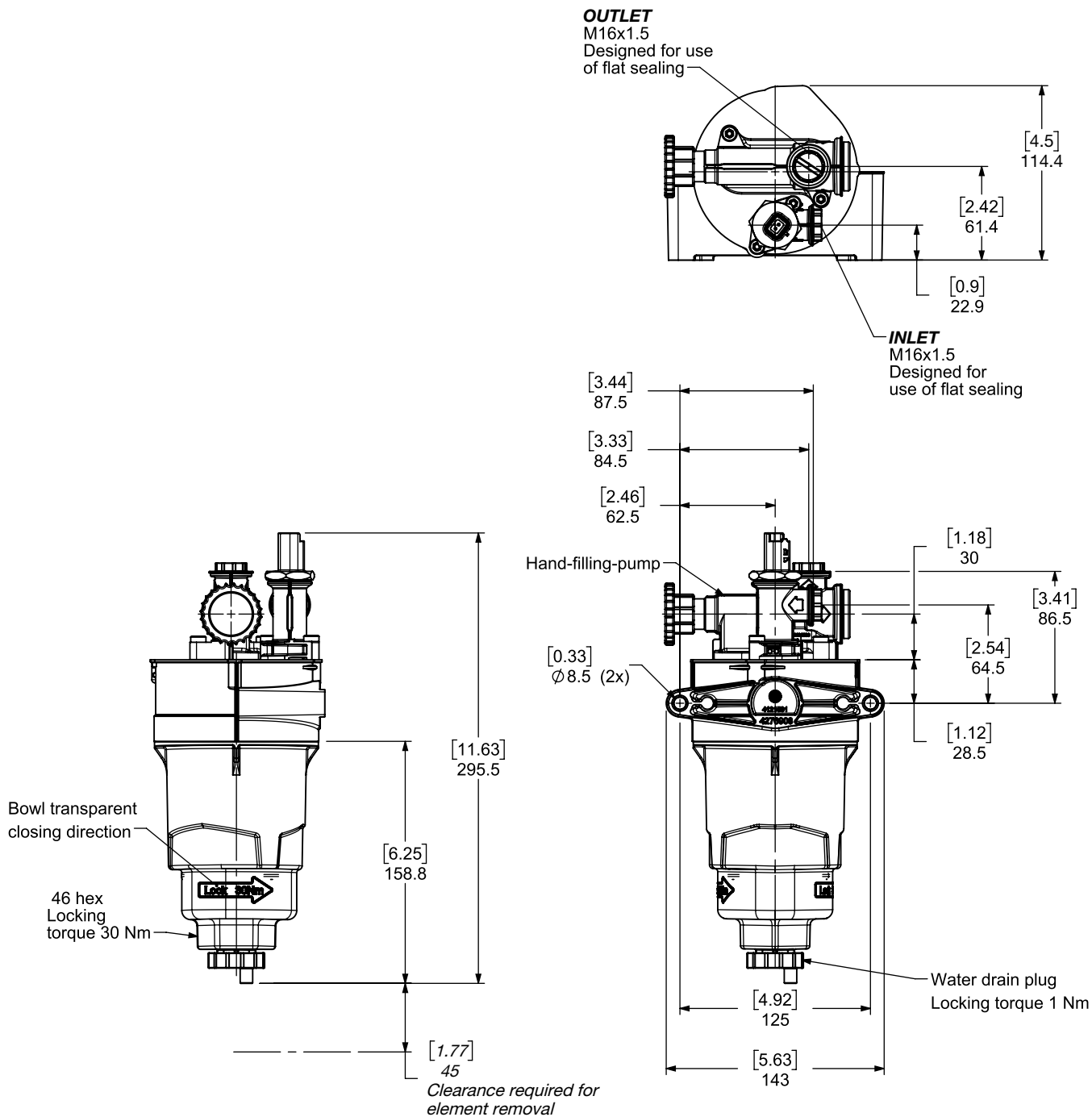
- Other OEM-ready Water-in-Fuel (WIF) sensor options

Replacement Elements

Size	Evolution Stage	Filtration Rating	Filter Material
0240	BC1	007	KF1

ON-BOARD FUEL FILTRATION PRODUCTS

Dimensions HDP 240



Dimensions shown are [inches] millimeters and for general information only. For complete dimensions please contact HYDAC to request a certified print.

