

B Band Strap Clamps

HYDAC offers customized series strips and tank mounting band strap solutions for OEM's requiring multiple line runs. In addition we provide a rugged, high durability power cable harness for cable management requirements. Ciist quas reeriae culparit volo vitio. Ibus, sintium namus.

Genis aut quam eatur, nitatur? Ipsuntu ribusam, volori ratemod ma aut quiae omnihic tet landitatur.

BAND STRAP CLAMPS

HR(S)GBLPU Series

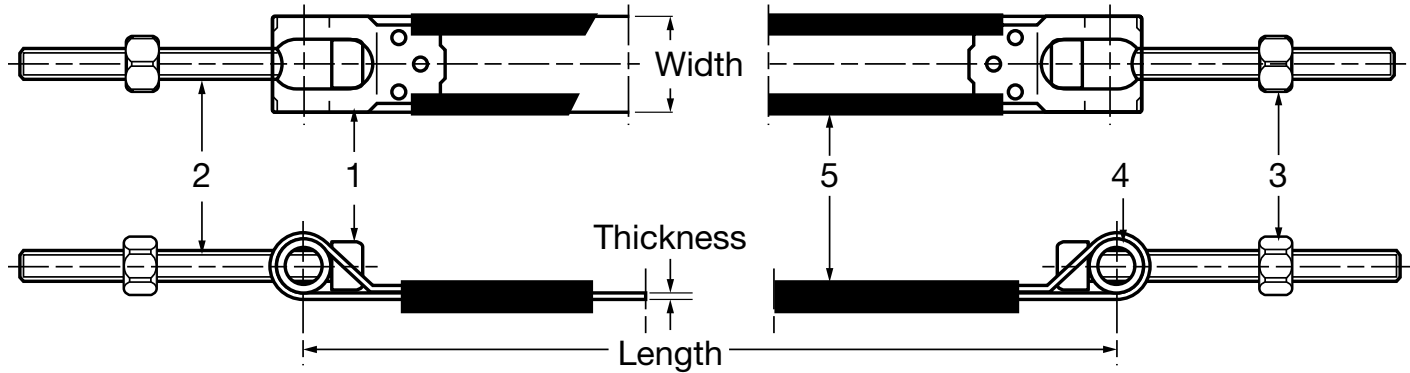
Swivel Bolt Band Clamps



Description

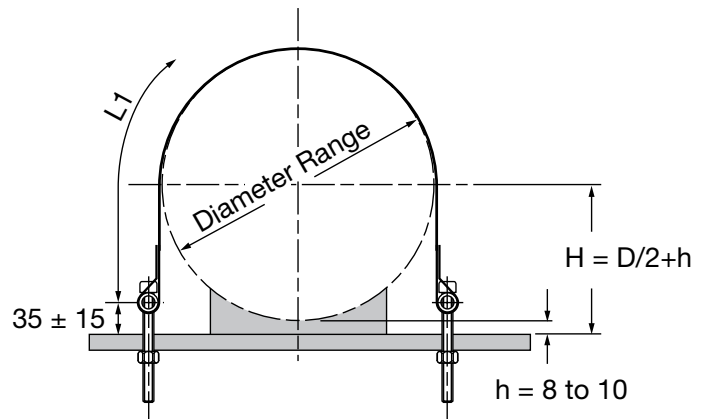
For OEM's requiring mounting solutions to secure non-cylindrical objects such as plastic fuel tanks, HYDAC offers steel band straps.

Item	Description/Material
1	Clamping Band, Stainless Steel
2	Metric Zinc-Plated Steel Socket Head Bolts <i>(Note: other bolt and connection styles are available based on customer's specifications)</i>
3	Nuts, Zinc Plated Steel
4	Swivel Sleeve, Zinc Plated Steel
5	Rubber Profile



Dimensions

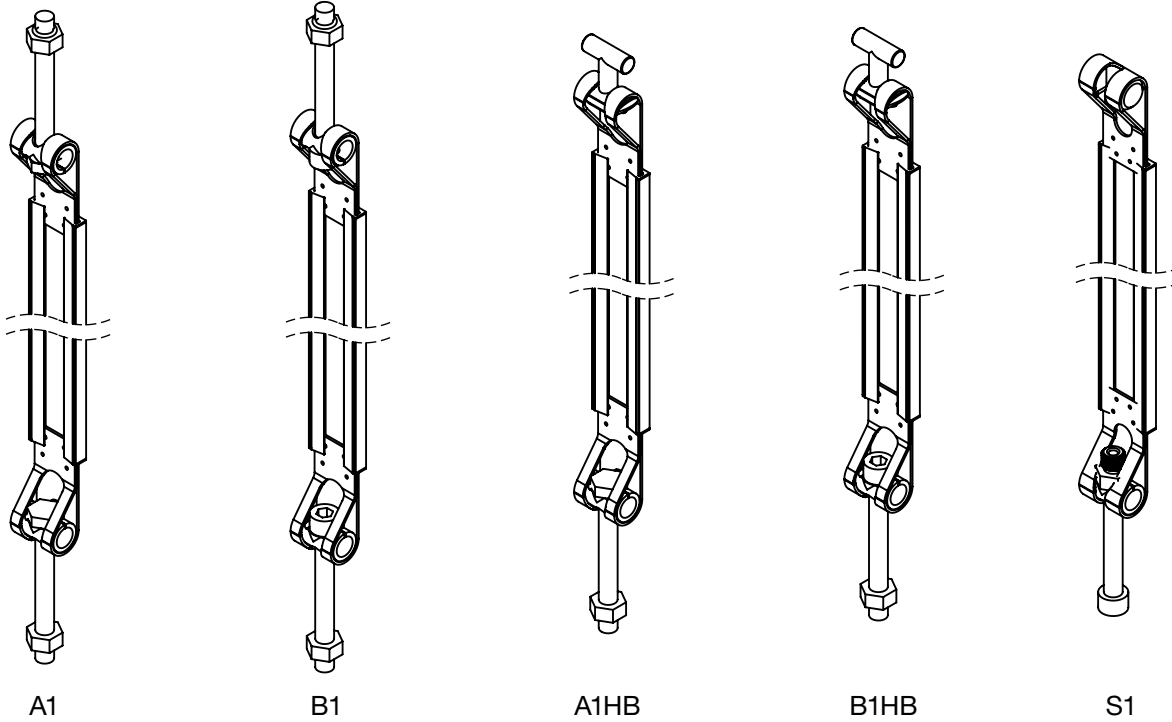
	Width x Thickness	Length Range (L1)
Light Range	25 x 1	187 - 921 mm
Heavy Range	30 X 1	232 - 1511 mm
Heavy II Range	30 X 1.5	232 - 1511 mm



Ordering

Band Straps are a custom product which must be quoted on an individual project basis. Band Straps are available with various lengths, widths, connecting hardware, and with or without rubber profiles. Contact **HYDAC** at **1-877-GO HYDAC (1.877.464.9322)** with your specifications to request a quotation.

Head Bolt Arrangements



Parts Legend	
1 Hex Head Bolt	5 Swivel Sleeve
2 Socket Head Bolt	6 Hex Head Nut
3 Steel Band	7 H-Bolt
4 Band Profile	8 Locking Sleeve

Model Code

HRSGBLPU 30 A1 373 ST

Series

HRGBLPU = 25 x 1 / 30 x 1
 HRSGBLPU = 30 x 1.5 / 40 x 1.5

Band Width (mm)

25, 30, 40

Hardware

A1 = Metric Hex Head Bolts
 B1 = Metric Socket Head Bolts
 A1HB = Metric Hex Head Bolt w/ H-Bolt
 B1HB = Metric Socket Head Bolt w/ H-Bolt
 S1 = 360° Clamp Arrangement, Metric Socket Head Bolt

Type

(Refer to table on next page)

Material of Metal Components

ST = Carbon Steel
 A2 = 304 Stainless Steel

Material of Profile

(omit) = EPDM
 NBR = Nitrile (Buna)

BAND STRAP CLAMPS

Dimensions

A1 and B1 -

Band width 1" (25mm)

Type	L1	Diameter Range
64	7.4 (187)	3 - 3.3 (77 - 83)
70	8.1 (206)	3.3 - 3.5 (84 - 90)
76	8.8 (224)	3.6 - 3.9 (91-98)
82	9.5 (242)	3.9-4.2 (98 -106)
88	10.2 (260)	4.1 - 4.6 (105 - 118)
94	11 (279)	4.4 - 4.9 (112 - 125)
100	11.7 (297)	4.7 - 5.4 (119 - 136)
106	12.4 (316)	5 - 5.7 (127 - 145)
115	13.5 (343)	5.4 - 6.1 (137 - 156)
120	14.1 (358)	5.6 - 6.3 (143 - 161)
124	14.6 (371)	5.8 - 6.5 (148 - 166)
133	15.7 (399)	6.3 - 7 (159 - 177)
142	16.8 (427)	6.7 - 7.4 (170 - 188)
151	17.9 (455)	7.1 - 7.8 (181 - 199)
160	19 (483)	7.6 - 8.3 (192 - 210)
169	20.1 (511)	8 - 8.7 (203 - 221)
178	21.2 (539)	8.4 - 9.1 (214 - 232)
187	22.3 (567)	8.9 - 9.6 (225 - 243)
196	23.3 (591)	9.3 - 10 (236 - 254)
205	24.5 (623)	9.7 - 10.4 (247 - 265)
214	25.6 (651)	10.2 - 10.9 (258 - 276)
223	26.7 (679)	10.6 - 11.3 (269 - 287)
231	27.7 (704)	10.9 - 11.7 (278 - 296)
234	28.1 (713)	11.1 - 11.8 (281 - 299)
241	28.9 (735)	11.4 - 12.1 (290 - 308)
250	30.1 (764)	11.9 - 12.6 (301 - 319)
259	31.2 (792)	12.3 - 13 (312 - 330)
268	32.3 (820)	12.7 - 13.4 (323 - 341)
277	33.4 (849)	13.1 - 13.9 (334 - 352)
286	34.5 (877)	13.6 - 14.3 (345 - 363)
295	35.6 (905)	14 - 14.7 (356 - 374)
300	36.3 (921)	14.3 - 15 (363 - 382)

Dimensions

A1 and B1 -

Band width 1.2" (30mm) / 1.6" (40 mm)

Type	L1	Diameter Range
80	9.1 (232)	3.8 - 4.2 (96 - 106)
89	10.2 (260)	4.2 - 4.6 (107 - 116)
98	11.3 (287)	4.6 - 5 (117 - 127)
107	12.4 (315)	5 - 5.4 (128 - 138)
116	13.5 (342)	5.5 - 5.9 (139 - 150)
125	14.6 (370)	5.9 - 6.6 (150 - 168)
134	15.7 (398)	6.3 - 7.2 (161 - 183)
143	16.8 (426)	6.8 - 7.6 (172 - 194)
152	17.9 (454)	7.2 - 8.1 (183 - 205)
165	19.4 (494)	7.8 - 8.7 (198 - 221)
178	21 (534)	8.4 - 9.3 (213 - 236)
191	22.6 (575)	9 - 9.9 (229 - 252)
204	24.2 (615)	9.6 - 10.6 (245 - 268)
217	25.8 (656)	10.3 - 11.2 (261 - 284)
230	27.4 (696)	10.9 - 11.8 (276 - 299)
243	29 (737)	11.5 - 12.4 (292 - 315)
256	30.6 (777)	12.1 - 13 (308 - 331)
269	32.2 (818)	12.8 - 13.7 (324 - 347)
282	33.8 (859)	13.3 - 14.3 (339 - 362)
295	35.4 (900)	14 - 14.9 (355 - 378)
300	36.1 (916)	14.3 - 15.2 (363 - 386)
308	37 (941)	14.6 - 15.5 (371 - 394)
321	38.6 (981)	15.2 - 16.1 (387 - 410)
334	40.2 (1022)	15.9 - 16.8 (403 - 426)
347	41.9 (1063)	16.5 - 17.4 (419 - 442)
360	43.4 (1103)	17.1 - 18 (434 - 457)
373	45 (1144)	17.7 - 18.6 (450 - 473)
386	46.7 (1185)	18.3 - 19.3 (466 - 489)
399	48.2 (1225)	19 - 19.9 (482 - 505)
412	49.8 (1266)	19.5 - 20.5 (496 - 521)
425	51.5 (1307)	20.2 - 21.1 (513 - 537)
438	53.1 (1348)	20.8 - 21.8 (529 - 553)
451	54.6 (1388)	21.5 - 22.4 (545 - 568)
464	56.3 (1429)	22.1 - 23 (561 - 584)
477	57.9 (1470)	22.7 - 23.6 (577 - 600)
490	59.5 (1511)	23.3 - 24.3 (593- 616)

Dimensions

S1 -

Band width 1" (25mm)

Type	L1	Diameter Range
62	7.1 (181)	2.1 - 2.3 (54 - 59)
64	7.4 (187)	2.2 - 2.4 (56 - 61)
70	8.1 (206)	2.4 - 2.6 (62 - 67)
76	8.8 (224)	2.7 - 2.9 (68 - 73)
82	9.5 (242)	2.9 - 3.1 (74 - 79)
88	10.2 (260)	3.1 - 3.3 (80 - 85)
94	11 (279)	3.4 - 3.6 (86 - 91)
100	11.7 (297)	3.6 - 3.8 (92 - 97)
106	12.4 (316)	3.9 - 4.2 (98 - 106)
115	13.5 (343)	4.2 - 4.5 (107 - 115)
124	14.6 (371)	4.6 - 4.9 (116 - 124)
133	15.7 (399)	4.9 - 5.2 (125 - 133)
142	16.8 (427)	5.3 - 5.6 (134 - 142)
151	17.9 (455)	5.6 - 5.9 (143 - 151)
160	19 (483)	6 - 6.3 (152 - 160)
169	20.1 (511)	6.3 - 6.7 (161 - 169)
178	21.2 (539)	6.7 - 7 (170 - 178)
187	22.3 (567)	7 - 7.4 (179 - 187)
196	23.4 (595)	7.4 - 7.7 (188 - 196)
205	24.5 (623)	7.8 - 8.1 (197 - 205)
214	25.6 (651)	8.1 - 8.4 (206 - 214)
223	26.7 (679)	8.5 - 8.8 (215 - 223)
231	27.7 (704)	8.8 - 9.1 (224 - 232)
241	28.9 (735)	9.2 - 9.5 (233 - 241)
250	30.1 (764)	9.5 - 9.8 (242 - 250)
259	31.2 (792)	9.9 - 10.2 (251 - 259)
268	32.3 (820)	10.2 - 10.6 (260 - 268)
277	33.4 (849)	10.6 - 10.9 (269 - 277)
286	34.5 (877)	10.9 - 11.3 (278 - 286)
295	35.6 (905)	11.3 - 11.6 (287 - 295)

Dimensions

S1 -

Band width 1.2" (30mm) / 1.6" (40 mm)

Type	L1	Diameter Range
80	9.1 (232)	2.8 - 3 (71 - 76)
89	10.2 (260)	3.1 - 3.3 (80 - 85)
98	11.3 (287)	3.5 - 3.7 (89 - 94)
107	12.4 (315)	3.9 - 4.1 (98 - 103)
116	13.5 (342)	4.2 - 4.5 (107 - 115)
125	14.6 (370)	4.6 - 4.9 (116 - 124)
134	15.7 (398)	4.9 - 5.2 (125 - 133)
143	16.8 (426)	5.3 - 5.6 (134 - 142)
152	17.9 (454)	5.6 - 5.9 (143 - 151)
165	19.4 (494)	6.1 - 6.5 (156 - 164)
178	21 (534)	6.7 - 7 (169 - 177)
191	22.6 (575)	7.2 - 7.5 (182 - 190)
204	24.2 (615)	7.7 - 8 (195 - 203)
217	25.8 (656)	8.2 - 8.5 (208 - 216)
230	27.4 (696)	8.7 - 9 (221 - 229)
243	29 (737)	9.2 - 9.6 (234 - 245)
256	30.6 (777)	9.7 - 10.2 (247 - 258)
269	32.2 (818)	10.2 - 10.7 (260 - 271)
282	33.8 (859)	10.7 - 11.2 (273 - 284)
295	35.4 (900)	11.3 - 11.7 (286 - 297)
300	36.1 (916)	11.5 - 11.9 (291 - 302)
308	37 (941)	11.8 - 12.2 (299 - 310)
321	38.6 (981)	12.3 - 12.7 (312 - 323)
334	40.2 (1022)	12.8 - 13.2 (325 - 336)
347	41.9 (1063)	13.3 - 13.7 (338 - 349)
360	43.4 (1103)	13.8 - 14.3 (351 - 362)
373	45 (1144)	14.3 - 14.8 (364 - 375)
386	46.7 (1185)	14.8 - 15.3 (377 - 388)
399	48.2 (1225)	15.4 - 15.8 (390 - 401)
412	49.8 (1266)	15.9 - 16.3 (403 - 414)
425	51.5 (1307)	16.4 - 16.8 (416 - 427)
438	53.1 (1348)	16.9 - 17.3 (429 - 440)
451	54.6 (1388)	17.4 - 17.8 (442 - 453)
464	56.3 (1429)	17.9 - 18.3 (455 - 466)
477	57.9 (1470)	18.4 - 18.9 (468 - 479)
490	59.5 (1511)	18.9 - 19.4 (481 - 492)
503	61.1 (1552)	19.4 - 19.9 (494 - 505)

BAND STRAP CLAMPS

HRGKSM Series

Quick Release Swivel Bolt Clamps



Model Code

	HRGKSM	2	R	186-194	192	ST
Series	HRGKSM					
Group	0-4 (Refer to table)					
Model	R					
Diameter Range	(Refer to table)					
Type	(Refer to table)					
Material of Steel Part	ST = Zinc Plated Steel					

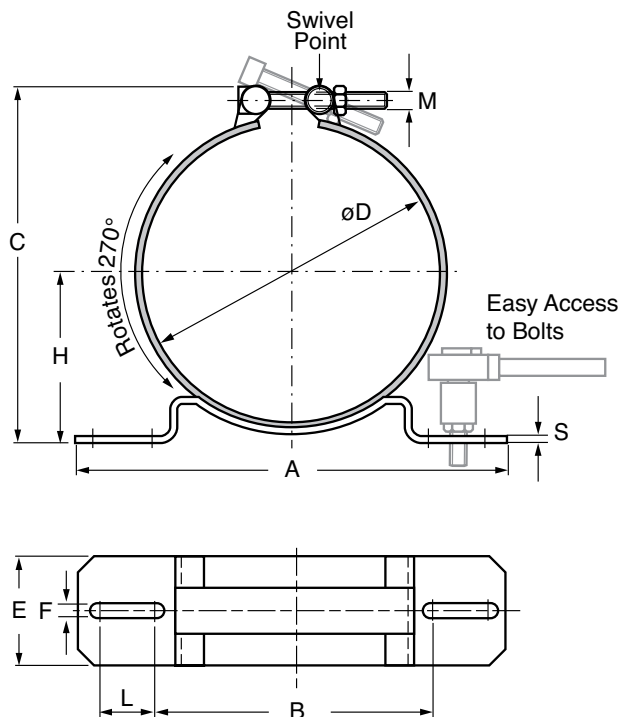
Description

The HRGKS is a clamp designed to mount cylindrical components. It is similar to the HYDAC HYRAC clamp, which is designed for accumulators, with some additional benefits that make it more practical for non-accumulator applications.

Features

- Swivel assembly provides for simple installation and a tight fit
- Support base provides easy access to bolts / unit easy to install
- The clamp rotates ~270°F / Easy access
- Polyethylene profile does not compress
Clamp stays tight over time

Dimensions



HRGKSM vs. HYRAC*

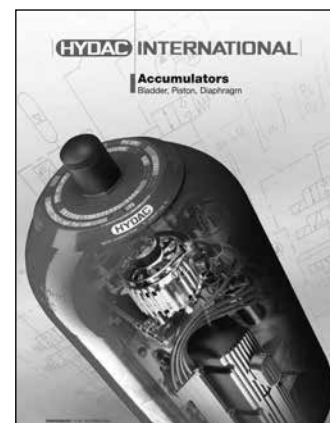
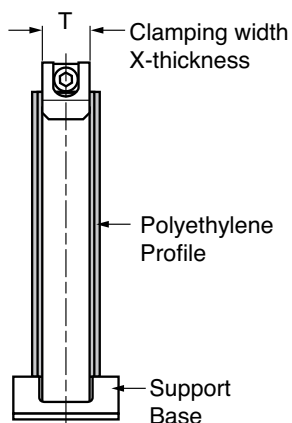
Difference	HRGKSM	HYRAC
Profile Material	Polyethylene	Rubber
Capability to Rotate	Can be rotated 270°F	Fixed at 90°F
Fit in clamp	Component sits flat	Two nubs ensure H dimension is consistent with other HYDAC Accumulator Clamps

*HYRAC clamp sizes 96-100 and under have the same construction as the HRGKSM Series

Materials

Description	Material / Coating
Support Base	Zinc Plated Steel
Polyethylene Profile	Polyethylene
Quick Release Swivel Bolt	Zinc-Plated Steel
Band Strap	Stainless Steel

Also available in all stainless steel



For more detailed information on the HYRAC Clamps please refer to the HYDAC Accumulator Catalog

Dimensions

HRGKSM Series (see illustration previous page)

Group	Diameter Range	Type	Dimensions										Weight
			H	C _{MAX}	A	S	L	B	E	F	M	T	
0	1.7-1.8 (44-46)	47	1.2-1.3 (29.8-32.3)	2.6 (67)	4.72 (120)	0.12 (3)	.31 (8)	3.35 (85)	1.57 (40)	0.35 (9)	M6 x 50	0.8 x .03 (20 x 0.8)	.33 (0.15)
	1.8-1.9 (46-49)	50	1.2-1.3 (30.8-32.3)	2.7 (69)									.33 (0.15)
	2.0-2.1 (51-54)	55	1.3-1.4 (33.3-34.8)	2.9 (75)									.33 (0.15)
	2.2-2.3 (55-58)	59	1.4-1.5 (35.3-36.8)	3.0 (77)									.35 (0.16)
	2.3-2.4 (58-61)	62	1.5 (37.3-38.8)	3.3 (83)									.35 (0.16)
	2.4-2.6 (62-65)	65	.3-1.6 (8.0-39.5)	3.4 (85)									.44 (0.20)
	2.6-2.7 (66-69)	69	1.6 (40.0-41.5)	3.5 (89)									.46 (0.21)
	2.8-2.9 (70-73)	73	1.7 (42.0-43.5)	3.7 (93)									.46 (0.21)
	2.9-3.0 (73-76)	76	1.7-1.8 (43.5-45.0)	3.8 (96)									.48 (0.22)
	3.0-3.1 (77-80)	80	1.8-1.9 (45.5-47.0)	3.9 (100)									.48 (0.22)
	3.2-3.3 (81-84)	85	1.9 (47.0-48.5)	4.1 (104)									.51 (0.23)
	3.3-3.5 (85-88)	89	1.9-2.0 (49.0-50.5)	4.3 (108)									.51 (0.23)
	3.5-3.6 (89-92)	9	2.0-2.1 (51.0-52.5)	4.4 (112)									.53 (0.24)
	3.6-3.7 (92-95)	96	2.1 (52.5-54.0)	4.5 (115)									.53 (0.24)
3.7-3.9 (95-100)	100	2.1-2.2 (54.5-56.5)	4.7 (120)	.53 (0.24)									
1	4.0-4.3 (101-109)	106	2.3-2.5 (58.5-62.5)	5.4 (137)	6.14 (156)	0.12 (3)	0.71 (18)	3.94 (100)	1.97 (50)	0.35 (9)	M8 x 80	1.0 x .03 (25 x 1.0)	.75 (0.34)
	4.3-4.6 (110-118)	115	2.5-2.6 (63.0-67.0)	5.7 (146)									.77 (0.35)
	4.7-5.0 (119-127)	124	2.6-2.8 (66.8-70.8)	6.1 (154)									.79 (0.36)
	5.0-5.4 (128-136)	133	2.8-3.0 (71.3-75.3)	6.4 (163)									.82 (0.37)
	5.4-5.7 (137-145)	142	3.0-3.1 (76.0-80.0)	6.8 (172)									.84 (0.38)
	5.7-6.1 (146-154)	151	3.2-3.3 (80.5-84.5)	7.1 (181)									.86 (0.39)
6.1-6.4 (155-163)	160	3.3-3.5 (85.0-89.0)	7.5 (190)	.88 (0.40)									
2	6.4-6.7 (163-171)	169	3.5-3.7 (90.1-94.1)	7.9 (200)	9.30 (236)	0.12 (3)	1.26 (32)	5.98 (152)	2.36 (60)	0.35 (9)	M8 x 80	1.0 x .03 (25 x 1.0)	1.26 (0.57)
	6.6-6.9 (167-175)	173	3.6-3.8 (92.1-96.1)	8.0 (204)									1.28 (0.58)
	6.8-7.1 (172-180)	178	3.7-3.9 (94.6-98.6)	8.2 (209)									1.28 (0.58)
	7.1-7.4 (181-189)	187	3.9-4.0 (98.4-102.4)	8.5 (217)									1.30 (0.59)
	7.3-7.6 (186-194)	192	4.0-4.1 (100.9-104.9)	8.7 (222)									1.32 (0.60)
	7.5-7.8 (190-198)	196	4.1-4.2 (102.9-106.9)	8.9 (226)									1.32 (0.60)
	7.8-8.1 (199-207)	205	4.2-4.4 (107.4-111.4)	9.2 (235)									1.34 (0.61)
	8.2-8.5 (208-216)	214	4.4-4.5 (111.2-115.2)	9.6 (243)									1.37 (0.62)
	8.5-8.9 (217-225)	223	4.6-4.7 (115.7-119.7)	9.9 (252)									1.39 (0.63)
8.9-9.2 (226-234)	231	4.7-4.9 (120.2-124.2)	10.3 (261)	1.41 (0.64)									
3	9.3-9.7 (235-246)	243	5.1-5.3 (129.0-134.5)	11.0 (279)	11.81 (300)	0.16 (4)	1.26 (32)	8.43 (214)	2.36 (60)	0.43 (11)	M10 x 90	1.2 x .03 (30 x 1.0)	2.14 (0.97)
	9.8-10.2 (24-259)	256	5.3-5.6 (135.5-141.0)	11.5 (292)									2.18 (0.99)
	10.3-10.7 (261-272)	269	5.5-5.8 (140.9-146.4)	12.0 (304)									2.20 (1.00)
	10.7-11.2 (271-285)	282	5.8-6.0 (147.4-152.9)	12.5 (317)									2.25 (1.02)
	11.3-11.7 (287-298)	295	6.1-6.3 (153.9-159.4)	13.0 (330)									2.27 (1.03)
	11.8-12.2 (300-311)	308	6.3-6.5 (159.4-164.9)	13.5 (342)									2.31 (1.05)
	12.3-12.6 (313-324)	321	6.5-6.7 (165.9-171.4)	14.0 (355)									2.34 (1.06)
	12.8-13.3 (326-337)	334	6.8-7.0 (172.4-177.9)	14.5 (368)									2.38 (1.08)
4	13.3-13.8 (339-350)	347	7.1-7.4 (181.2-186.7)	15.2 (385)	15.75 (400)	0.16 (4)	1.26 (32)	12.36 (314)	2.36 (60)	0.43 (11)	M10 x 90	1.2 x .06 (30 x 1.5)	3.24 (1.47)
	13.9-14.3 (352-363)	360	7.4-7.6 (187.7-193.2)	15.7 (398)									3.28 (1.49)
	14.4-14.8 (365-376)	373	7.6-7.9 (194.2-199.7)	16.2 (411)									3.33 (1.51)
	14.9-15.3 (378-389)	386	7.9-8.1 (200.7-206.2)	16.7 (424)									3.35 (1.52)
	15.4-15.8 (391-402)	399	8.1-8.3 (205.2-210.7)	17.1 (435)									3.40 (1.54)
	15.9-16.3 (404-415)	412	8.3-8.6 (211.7-217.2)	17.6 (448)									3.44 (1.56)
	16.4-16.8 (417-428)	425	8.6-8.8 (218.2-223.7)	18.1 (461)									3.48 (1.58)
	16.9-17.4 (430-441)	438	8.8-9.1 (224.7-230.2)	18.7 (474)									3.53 (1.60)
	17.4-17.9 (443-454)	451	9.0-9.2 (229.4-234.9)	19.1 (485)									3.57 (1.62)
	18.0-18.4 (456-467)	464	9.3-9.5 (235.9-241.4)	19.6 (498)									3.60 (1.63)
	18.5-18.9 (469-480)	477	9.5-9.8 (242.4-247.9)	20.1 (511)									3.64 (1.65)
	19.0-19.4 (482-493)	490	9.8-10.0 (248.9-254.4)	20.6 (524)									3.68 (1.67)
	19.5-19.9 (495-506)	503	10.1-10.3 (255.4-260.9)	21.1 (537)									3.75 (1.70)

Notes:

1. Dimensions are in inches (mm) and lbs (kg).
2. Dimensions are for general information only, all critical dimensions should be verified by requesting a certified print.
3. For larger sizes contact HYDAC Accessories Group

BAND STRAP CLAMPS

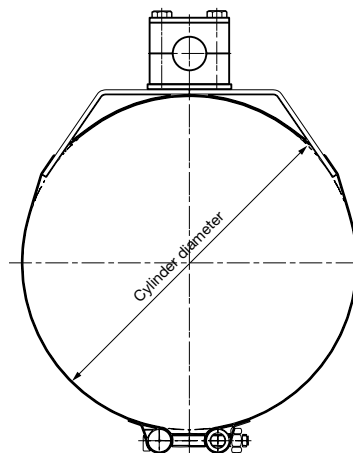
HRHZ, HRHZT Series

Cylinder / Tube Clamp

Swivel Bolt / DIN 3015 Combination Clamps



Dimensions



DIN 3015
Part 1:
size 1-6

DIN 3015
Part 2:
size 1-4

DIN 3015
Part 3:
size 1-5

Description

Clamps for mounting piping to cylindrical components, carbon or stainless steel, PP or PA, with or without rubber profile.

Features

- Need features if we have them
- Need features if we have them
- Need features if we have them
- Need features if we have them

Size	Cylinder \varnothing D (range) [mm]
7	67 - 88
8	89 - 99
9	100 - 114
10	115 - 140
11	141 - 169
12	170 - 194
13	195 - 220
14	221 - 274
15	275 - 299

Note: Other materials on request.

Model Code

HRHZ 12 / 3S A / PP ST M ZN

Series _____
 HRHZ = HY-ROS clamp for cylinders
 HRHZT = HY-ROS clamp for cylinders w/PE insert

Size _____
 (According to dimensions)

Clamp Size _____
 L = DIN 3015 Part 1, size 1-6
 S = DIN 3015 Part 2, size 1-4
 Z = DIN 3015 Part 3, size 1-5

Type _____
 A = standard

Diameter, Cylinder _____

Diameter, Pipe _____

Material of Clamp Jaws _____
 PP = polypropylene
 PA = polyamide

Material of Steel Part _____
 ST = Zinc Plated Steel
 A2 = Stainless Steel (on request)
 A4 = Stainless Steel (on request)

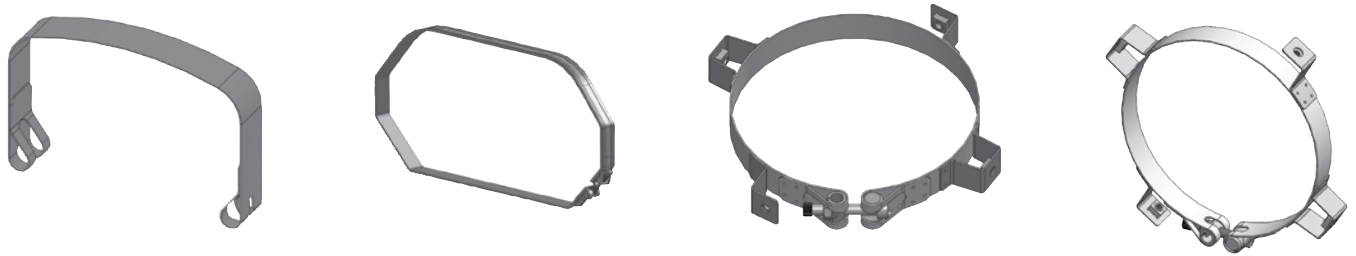
Thread Type _____
 M = Metric Thread

Plating of Steel Parts _____
 ZN = Zinc Plated

Special Straps

Prebent Straps Tailored to Your Needs

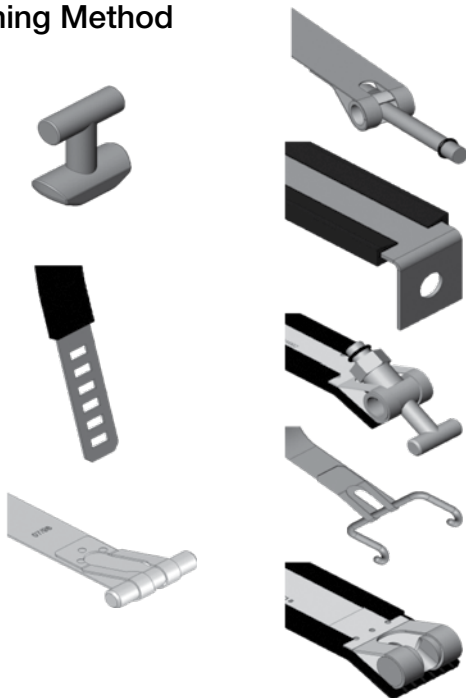
Special pre-bent band straps with options to weld custom attachment points formable to almost any geometry available to tailor a custom solution for your specific mounting project.



Connectors, Bases & Attachments/Fixtures*

Additional components for mounting pipes and hoses

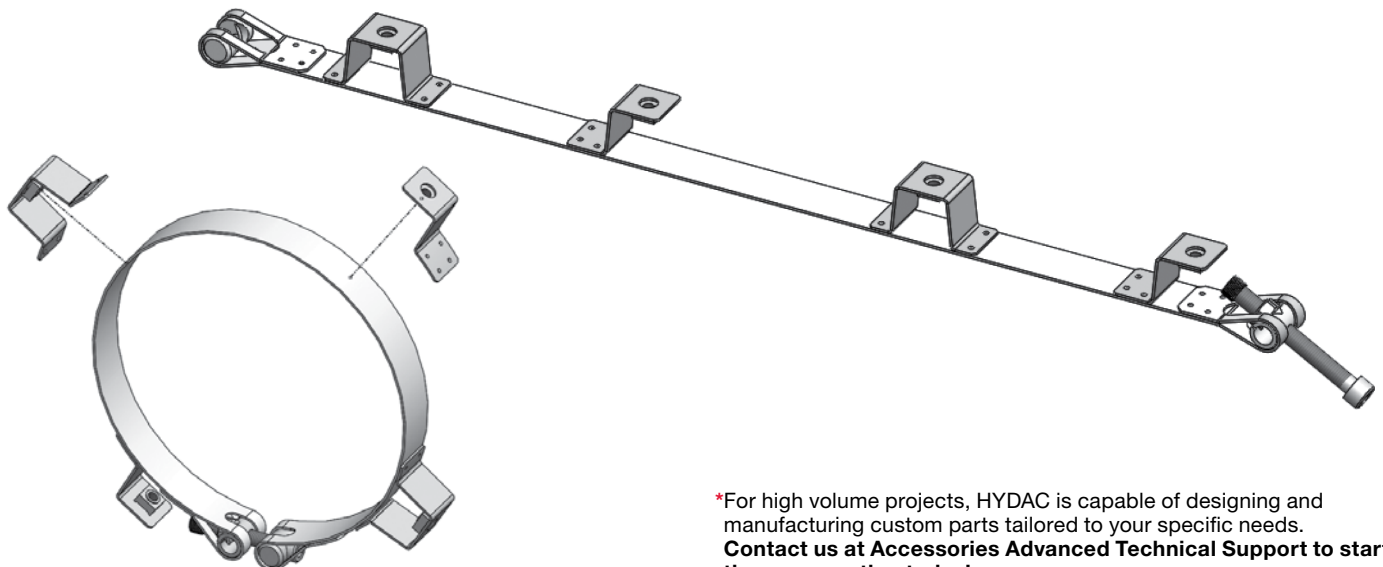
Fastening Method



Bases



Attachments and Fixtures for guiding and mounting other components



*For high volume projects, HYDAC is capable of designing and manufacturing custom parts tailored to your specific needs. **Contact us at Accessories Advanced Technical Support to start the conversation today!**