

## Standard DVA-Power Pack



### Description

The standard DVA-Power Packs are hydraulic variable speed driven units based on the HYDAC KineSys DVA-Kits to provide an efficient amount of pressure. The required flow gets supplied on demand only and in case of downtimes or clamping function where there is not much flow needed, the inverter ramps down the speed or switches the motor off completely and minimum oil leakage is compensated by the diaphragm accumulator.

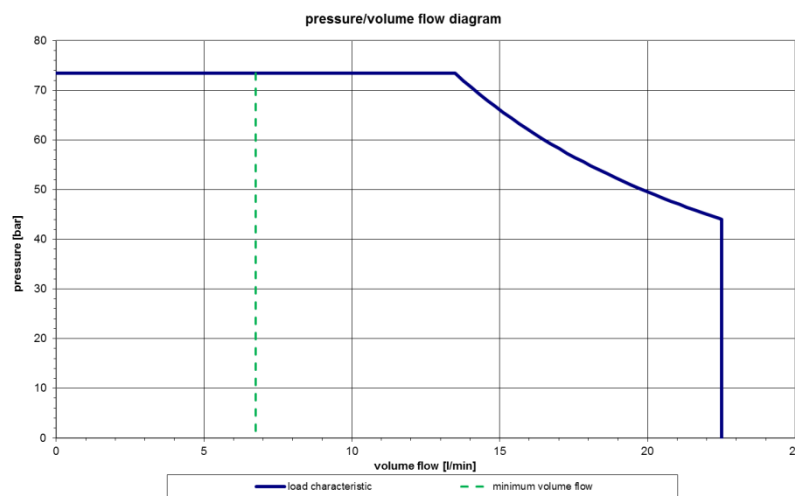
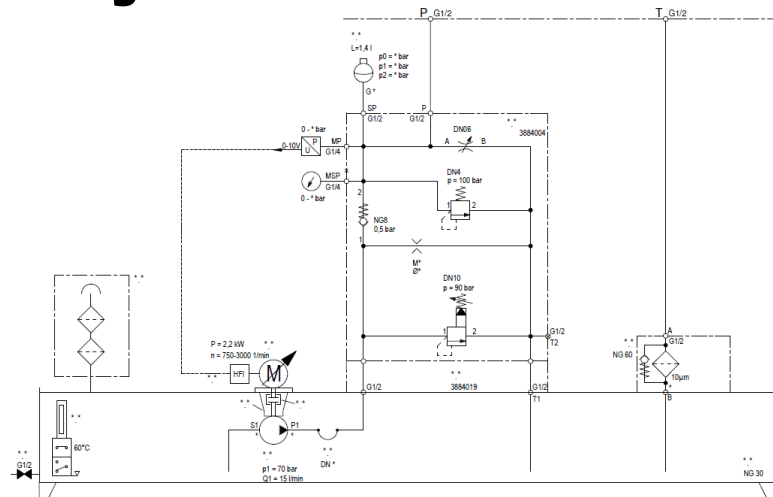
### Product advantages

- Highly efficient pressure supply
- Combination of pressure control and accumulator charging mode
- Plug & Play solution
- No electric cabinet or switching board necessary
- Easy commissioning steps
- PLC & Controller integrated in the HYDAC Frequency Inverter
- Factory testes, pre-programmed and parameterized

HYDAC International GmbH

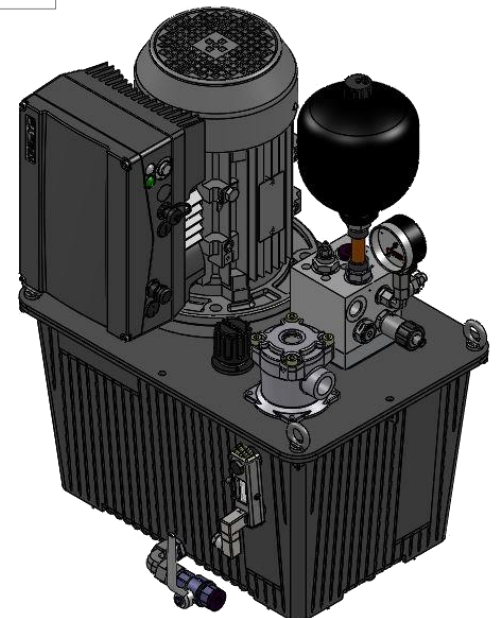
Industriegebiet  
66280 Sulzbach/Saar  
Germany  
Phone:  
+49 6897 509-01  
Fax:  
+49 6897 509-577  
E-Mail:  
kinesys@hydac.com  
www.hydac.com

## Standard DVA-Power Pack 70-15 Assy: 4441103



### Features

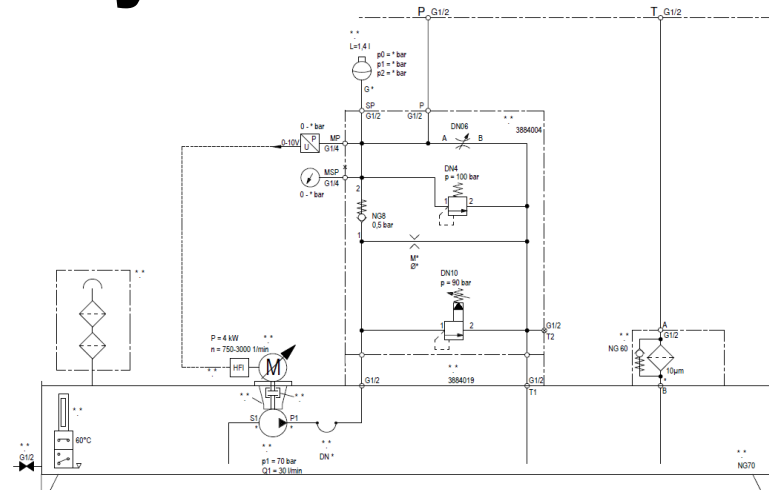
- 2.2kW ( 3HP)
- External gear pump
- 70bar (1000psi)
- 15l/min (4GPM)
- Accumulator safety block
- 1.4L diaphragm accumulator
- Return line filter
- Breather filter
- Tank level gauge
- Temperature switch
- 30L tank (8gal)



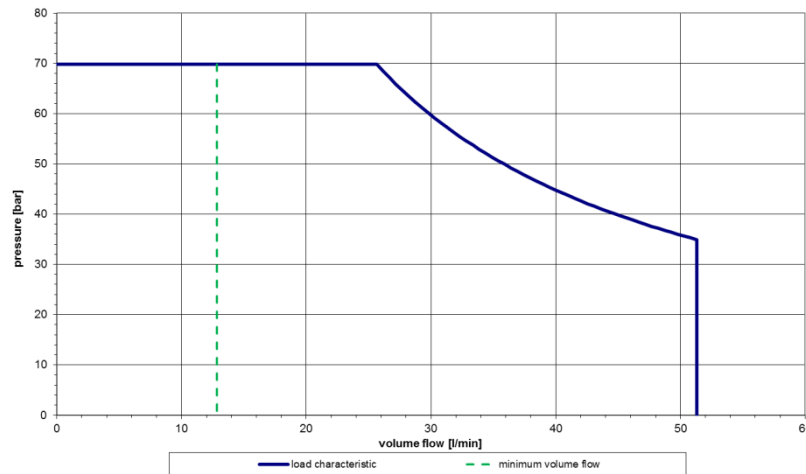
HYDAC International GmbH

Industriegebiet  
66280 Sulzbach/Saar  
Germany  
Phone:  
+49 6897 509-01  
Fax:  
+49 6897 509-577  
E-Mail:  
kinesys@hydac.com  
www.hydac.com

## Standard DVA-Power Pack 70-30 Assy: 4441145

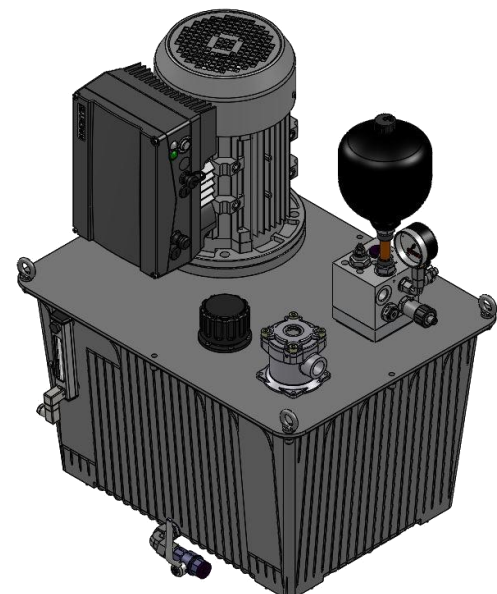


pressure/volume flow diagram



### Features

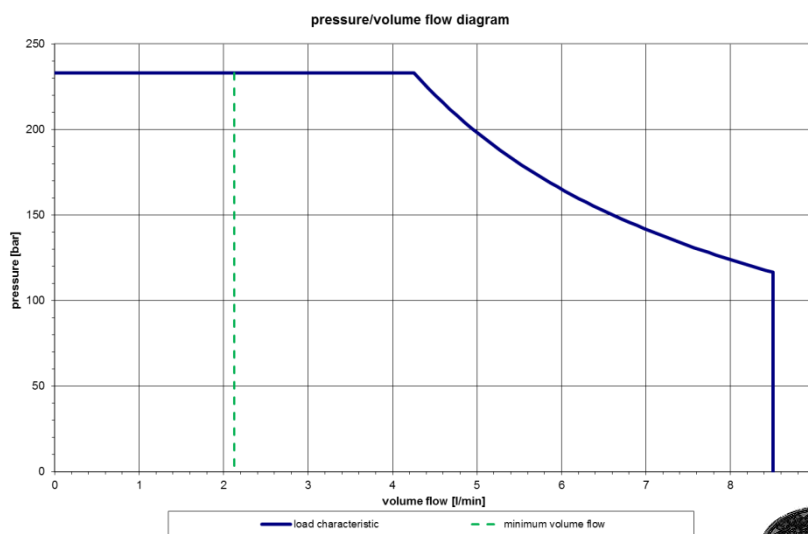
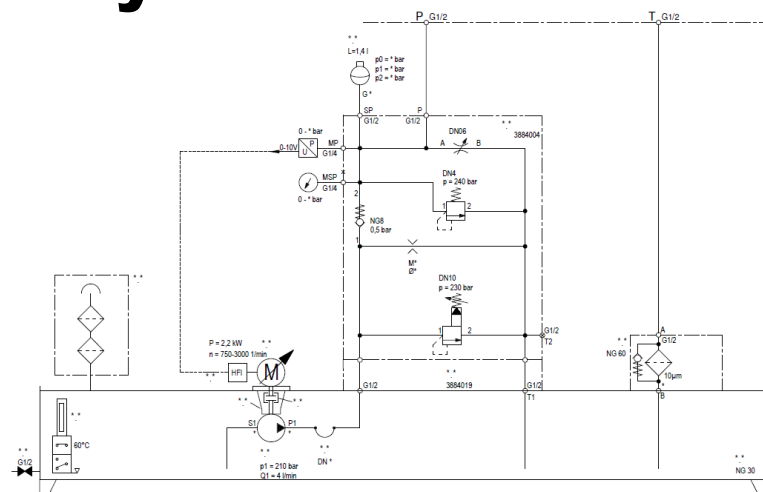
- 4kW ( 5.4HP)
- External gear pump
- 70bar (1000psi)
- 30l/min (8GPM)
- Accumulator safety block
- 1.4L diaphragm accumulator
- Return line filter
- Breather filter
- Tank level gauge
- Temperature switch
- 70L tank (18.5gal)



HYDAC International GmbH

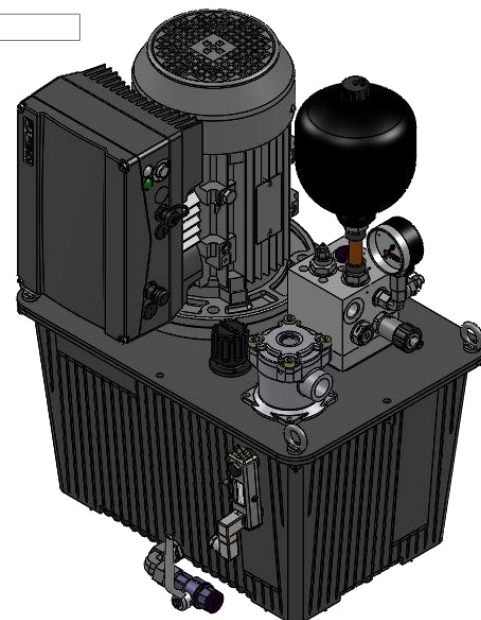
Industriegebiet  
66280 Sulzbach/Saar  
Germany  
Phone:  
+49 6897 509-01  
Fax:  
+49 6897 509-577  
E-Mail:  
kinesys@hydac.com  
www.hydac.com

# Standard DVA-Power Pack 210-4 Assy: 4441146



## Features

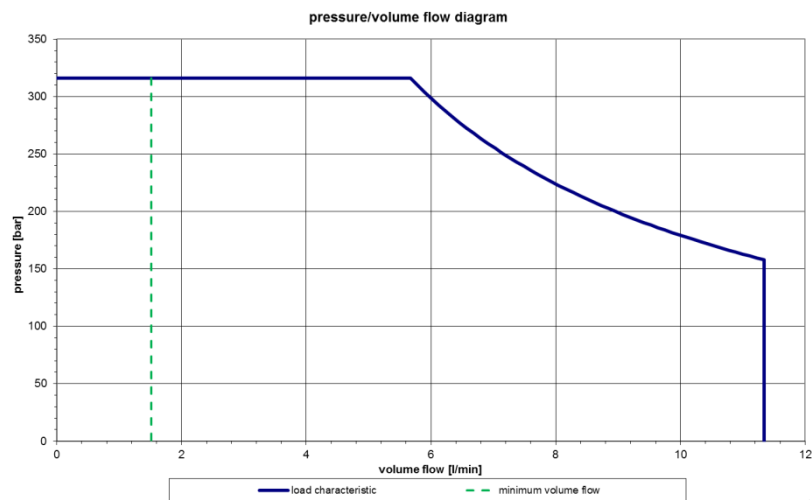
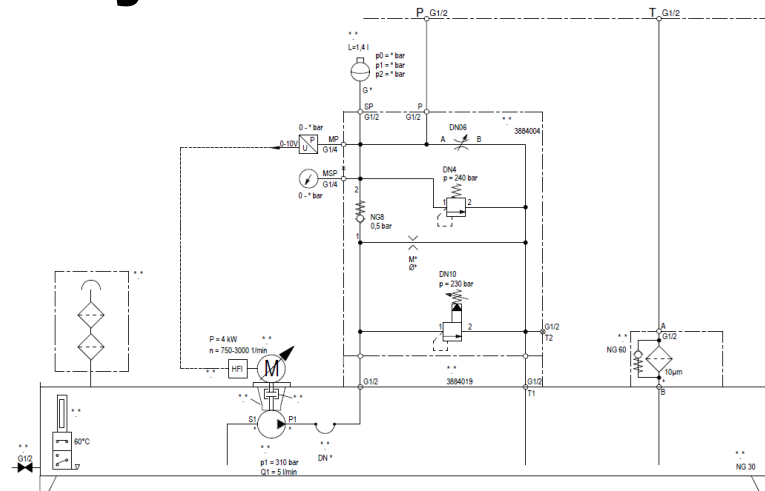
- 2.2kW (3HP)
- External gear pump
- 210bar (3000psi)
- 4l/min (1GPM)
- Accumulator safety block
- 1.4L diaphragm accumulator
- Return line filter
- Breather filter
- Tank level gauge
- Temperature switch
- 30L tank (8gal)



HYDAC International GmbH

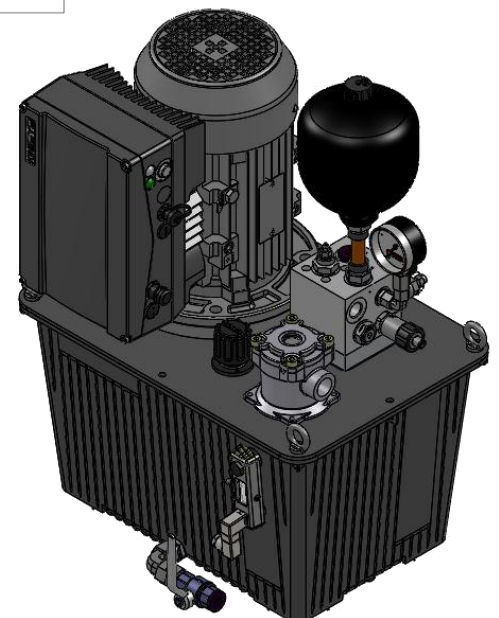
Industriegebiet  
66280 Sulzbach/Saar  
Germany  
Phone:  
+49 6897 509-01  
Fax:  
+49 6897 509-577  
E-Mail:  
kinesys@hydac.com  
www.hydac.com

## Standard DVA-Power Pack 310-5 Assy: 4441147



### Features

- 4kW ( 5.4 HP)
- Internal gear pump
- 310bar (4500psi)
- 5l/min (1.3GPM)
- Accumulator safety block
- 1.4L diaphragm accumulator
- Return line filter
- Breather filter
- Tank level gauge
- Temperature switch
- 30L tank (8gal)



HYDAC International GmbH

Industriegebiet  
66280 Sulzbach/Saar  
Germany  
Phone:  
+49 6897 509-01  
Fax:  
+49 6897 509-577  
E-Mail:  
kinesys@hydac.com  
www.hydac.com