

# BREATHERS

## BF 3 Series

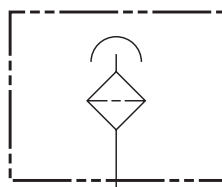
Particulate



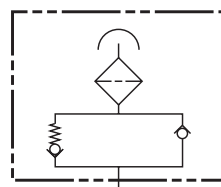
### Specifications

- Maximum flow rate - 31 scfm / 230 gpm at 0.04 bar
- Epoxy coated steel cap
- Zinc-plated internals
- 3 or 10 micron
- Threaded connection
- Pressurized breather with relief valve (*optional - BF3 only*)
- Phenolic resin impregnated filter element

### Hydraulic Symbols

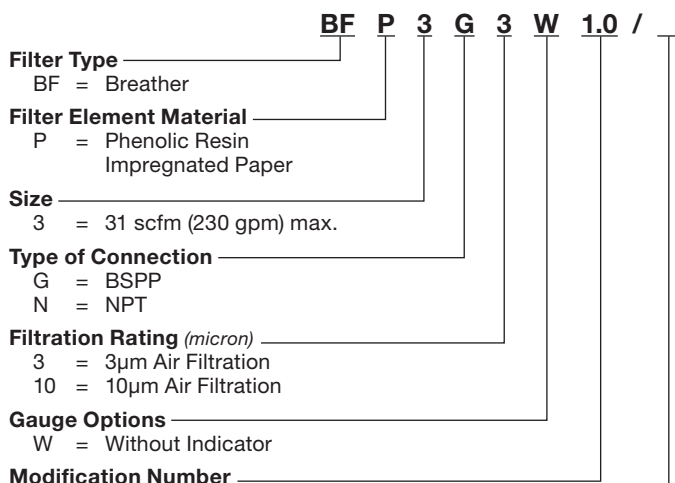


Standard



with Relief Valve

### Model Code

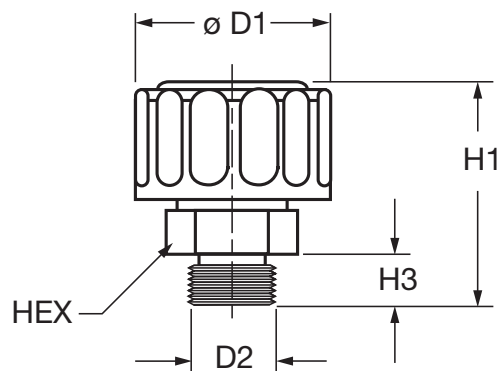


Size	G(BSPP)	Relief Pressure	N (NPT)	Relief Pressure
1.0	G 3/4	-	3/4 NPT	-
2.0	G 3/8	-	-	-
3.0	G 1/2	-	-	-
4.0	G 3/4	0.4 bar	3/4 NPT	0.4 bar
5.0	G 3/4	0.7 bar	3/4 NPT	0.7 bar
6.0	G 3/4	0.2 bar	3/4 NPT	0.2 bar

### Supplementary Details

- (omit) = standard  
 RV = Relief Valve (*for use on pressurized tanks*)

### Dimensions



Size	ØD1	D2	H1	H3	HEX
BF 3..1.0	2.99"	G 3/4"	3.11"	0.63"	1-7/16"
BF 3..2.0	2.99"	G 3/8"	2.83"	0.47"	7/8"
BF 3..3.0	2.99"	G 1/2"	2.99"	0.55"	1-1/16"
BF 3..4.0	2.99" (76mm)	G 3/4"	3.11" (79mm)	0.63" (16mm)	1-7/16" (36mm)
BF 3..5.0		G 3/8"			
BF 3..6.0		G 1/2"			

Dimensions are for general information only, all critical dimensions should be verified by requesting a certified print.  
 Dimensions are in inches/(mm)

Note: Low temperature options available. All breathers are available with special options and materials. Please contact the factory.

# BF 4 Series

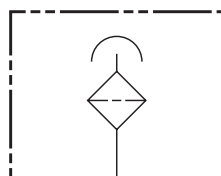
Particulate



## Specifications

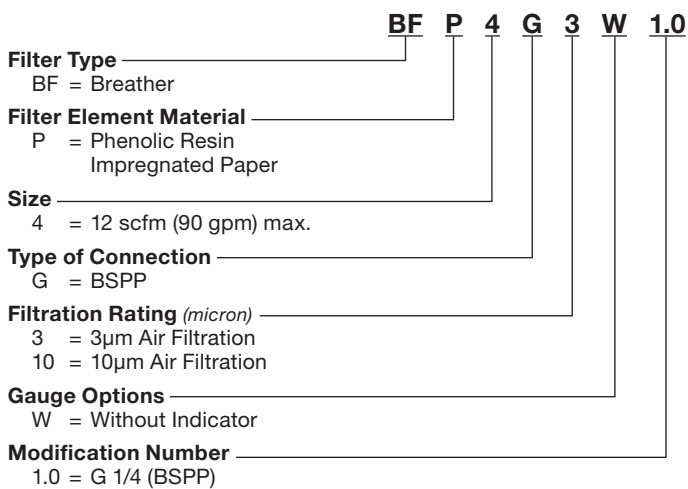
- Maximum flow rate - 12 scfm / 90 gpm at 0.04 bar
- Epoxy coated steel cap
- Zinc-plated internals
- 3 or 10 micron
- Threaded connection
- Phenolic resin impregnated filter element

## Hydraulic Symbols

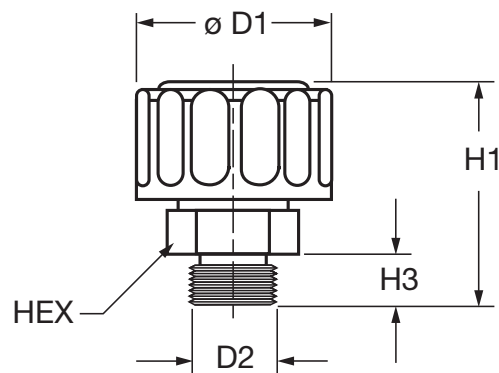


Standard

## Model Code



## Dimensions



Size	ØD1	D2	H1	H3	HEX
BF 4..1.0	1.73" (44mm)	G 1/4" (ISO 228)	2.44" (62mm)	0.53" (13.5mm)	11/16" (17mm)

Dimensions are for general information only, all critical dimensions should be verified by requesting a certified print.  
Dimensions are in inches/(mm)

Note: Low temperature options available. All breathers are available with special options and materials. Please contact the factory.

# BREATHERS

## ELF...3 & ELF...4 Series

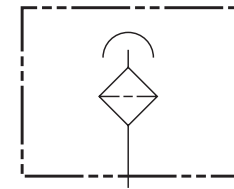
### Particulate Filler



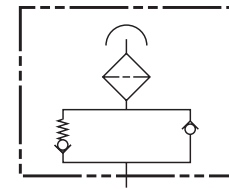
### Specifications

- Maximum flow rate - 31 scfm / 230 gpm at 0.04 bar
- Epoxy coated steel cap
- Zinc-plated internals
- 3 or 10 micron
- 500 micron plastic filler basket (standard)
- Bayonet connection to access fill port
- Installs via 3 or 6 bolt circle (bolts included)
- Locking tabs (optional - ELFL 3 only)
- Pressurized breather with relief valve (optional - ELF3 only)
- Phenolic resin impregnated filter element

### Hydraulic Symbols



standard



with relief valve (ELF3 only)

### Model Code

**ELF P 3 F 10 W 1 . 0 /**

**Filter Type**  
 ELF = Filler Breather  
 ELFL = Lockable Filler Breather (not available for size 4)

**Filter Element Material**  
 P = Phenolic Resin Impregnated Paper

**Size**  
 3 = 31 scfm (230 gpm) max.  
 4 = 12 scfm (90 gpm) max.

**Type of Connection**  
 F = Flanged

**Filtration Rating (micron)**  
 3 = 3µm Air Filtration  
 10 = 10µm Air Filtration

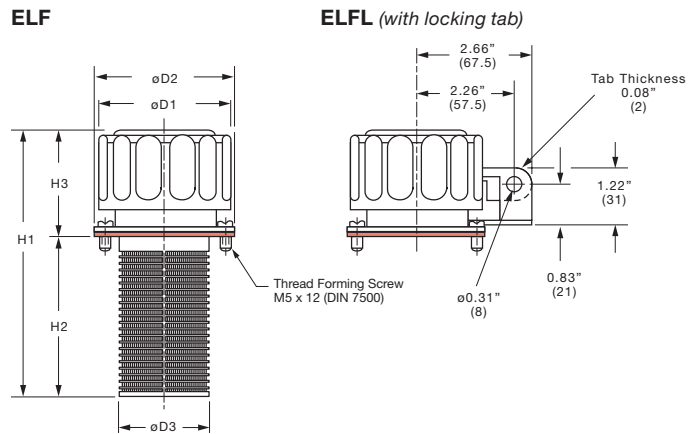
**Gauge Options**  
 W = Without Indicator

**Type**  
 1 = ELF 3 and 4  
 4 = ELF 3 RV; Reseat Pressure 6 psi (0.4 bar)  
 5 = ELF 3 RV; Reseat Pressure 10 psi (0.7 bar)  
 6 = ELF 3 RV; Reseat Pressure 3 psi (0.2 bar)

**Modification Number**  
 0 = Standard

**Supplementary Details**  
 RV = Relief Valve (for use on Pressurized Tanks; ELFP3 only)  
 SO169H3.5 = 3.5 inch plated steel filler basket  
 SO169H6 = 6 inch plated steel filler basket  
 SO169H8 = 8 inch plated steel filler basket (ELFP3 only)

### Dimensions

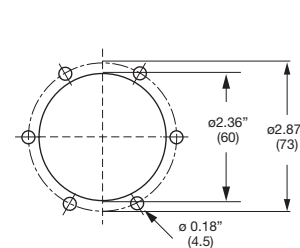


Size	ø D1	ø D2	ø D3	H1	H2	H3
ELF 3	2.99" (76)	3.27" (83)	2.05" (52)	6.26" (159)	3.80" (96.5)	2.46" (62.5)
ELF 4	1.73" (44)	1.97" (50)	1.10" (28)	5.32" (135)	3.21" (81.5)	2.11" (53.5)

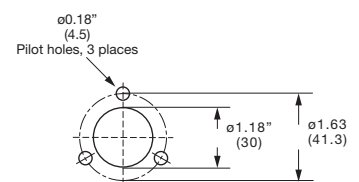
### Mounting Hole Patterns

#### ELF 3

(flange interface to DIN 24557/T2)



#### ELF4



Note: Low temperature options available. All breathers are available with special options and materials. Please contact the factory.

# ELF 3 Series

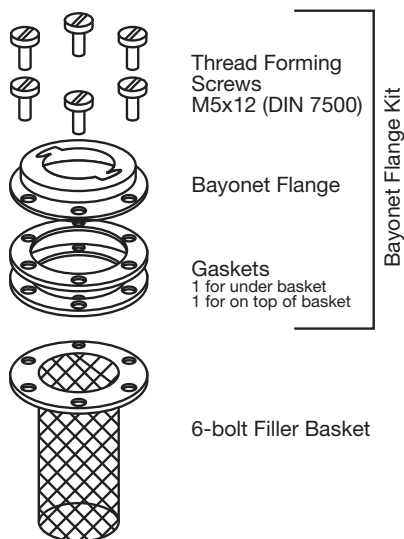
## Particulate Filler Breather Parts

### ELF 3 Breather Caps



Part	Model Code	Part No.
Breather Cap	ELF P 3 CAP 10 W 1.0 W/CHAIN	02080124
Breather Cap with 3 psi relief valve	ELF P 3 CAP 10 W 6.0/RV W/CHAIN	02080125

### 6 bolt Bayonet Flange

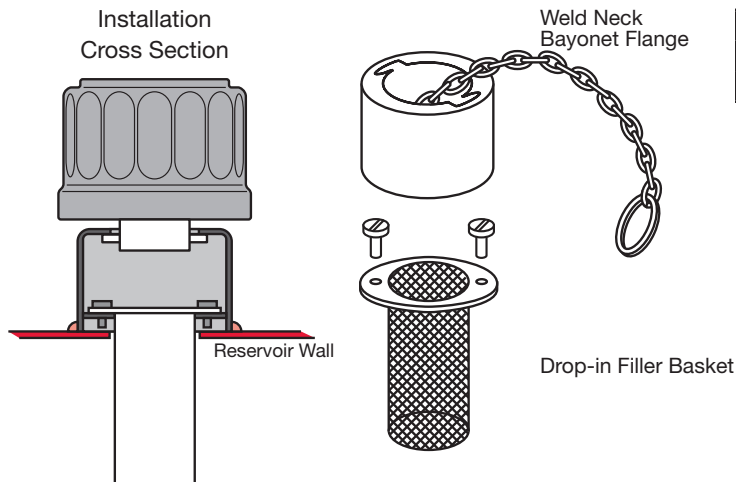


Part	Model Code	Part No.
Bayonet Flange Kit	ELF3 BAYONET FLANGE KIT ASSY	1200002680

Note: Parts not sold separately

Part	Model Code	Part No.
3.5" Steel Filler Basket	ELF3 STRAINER BASKET 3.5" PLATED STEEL	02701474
6" Steel Filler Basket	ELF3 STRAINER BASKET 6" PLATED STEEL	02701475
8" Steel Filler Basket	ELF3 STRAINER BASKET 8" PLATED STEEL	02701441
4" Plastic Filler Basket	ELF3 STRAINER BASKET 4" PLASTIC	01202916

### Weld Neck Bayonet Flange



Part	Model Code	Part No.
Weld Neck	ELF3 WELD NECK W/CHAIN	02080126
Drop-in Strainer	ELF3 WELD NECK STRAINER	02078939

Note: Low temperature options available. All breathers are available with special options and materials. Please contact the factory.

# BREATHERS

## BF 10 Series

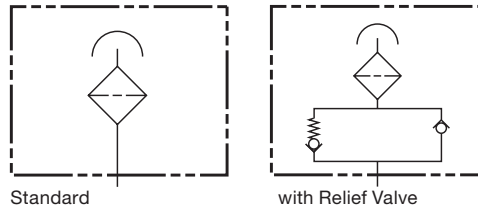
Particulate



### Specifications

- Maximum Flow Rate 13 scfm / 100 gpm at 0.04 bar
- Durable synthetic material (PA6)
- Filtration Rating 3  $\mu$ m
- Buna N O-Ring
- Optional dipstick (contact factory)
- Optional customer logo (contact factory)
- Optional pressurized breather with relief valve
- Optional anti-splash device
- -22° to 212°F (-30° to 100°C)
- Phenolic resin impregnated filter element

### Hydraulic Symbols



### Model Code

**BF P 10 G 3 W 1.0 / - RV0.4 - PS 74**

#### Filter Type

BF = Breather

#### Filter Element

#### Material

P = Phenolic Resin  
Impregnated  
Paper

#### Size

10

#### Type of Connection

G = BSPP  
N = NPT  
U = SAE  
M = Metric threads

#### Filtration Rating (micron)

3 = 3 $\mu$ m Air Filtration

#### Gauge Option

W = Without Indicator

#### Modification Number

##### Connection Type

	G (BSPP)	N (NPT)	U (SAE)	M (Metric)
1.0 = G 1/4		1/2 NPT	-	M22x1.5
2.0 = G 3/8		3/8 NPT	-	M18x1.5
3.0 = G 1/2		-	SAE-12	-

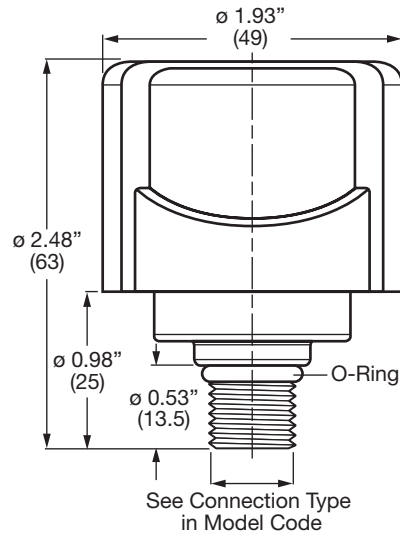
#### Options

(omit) = None  
 RV0.2 = Relief Pressure 3 psi (0.2 bar)  
 RV0.4 = Relief Pressure 6 psi (0.4 bar)  
 RV0.7 = Relief Pressure 10 psi (0.7 bar)  
 AS = Anti-splash protection (only for version without RV)

#### Dipstick

PS# = Dipstick (Length follows PS in millimeters)  
 minimum quantities apply

### Dimensions



Dimensions are for general information only, all critical dimensions should be verified by requesting a certified print.  
 Dimensions are in inches/(mm)

Note: Low temperature options available. All breathers are available with special options and materials. Please contact the factory.

# ELF...10 Series

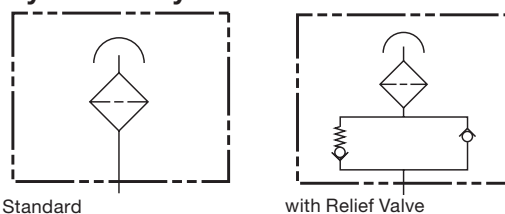
## Particulate Filler



### Specifications

- Maximum Flow Rate - 13 scfm / 100 gpm at 0.04 bar
- Durable synthetic material (PA6)
- Filtration rating 3 µm
- Buna N O-Ring
- Threaded connection to access fill port
- Optional dipstick (*contact factory*)
- Optional customer logo (*contact factory*)
- Optional pressurized breather with relief valve
- Optional anti-splash device
- -22° to 212°F (-30° to 100°C)
- Phenolic resin impregnated filter element

### Hydraulic Symbols

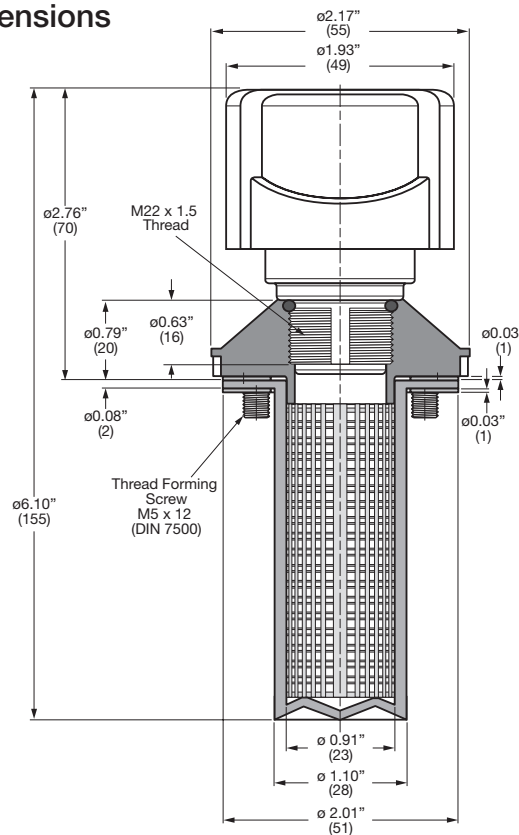


### Model Code

**ELF P 10 F 3 W 1.0 / - RV0.4**

- Filter Type**  
 ELF = Filler Breather
- Filter Element Material**  
 P = Phenolic Resin Impregnated Paper
- Size**  
 10
- Connection**  
 F = Flanged connection
- Filtration Rating (micron)**  
 3 = 3µm air filtration
- Gauge Option**  
 W = without indicator
- Type**  
 1 = Flanged connection (see dimensions above)
- Modification Number**  
 0 = Standard
- Options**  
 (omit) = Standard  
 RV0.2 = Relief Pressure, 3 psi (0.2 bar)  
 RV0.4 = Relief Pressure, 6 psi (0.4 bar)  
 RV0.7 = Relief Pressure, 10 psi (0.7 bar)  
 AS = Anti-splash protection (*only for version without RV*)

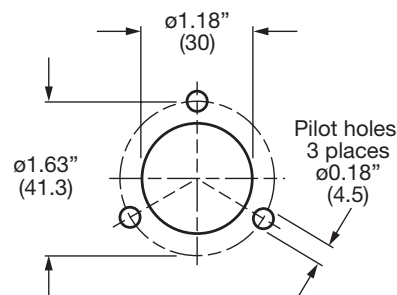
### Dimensions



### Replacement Cap Only (with M22x1.5 thread)

Model	Part No.
BF P 10 M 3 W 1.0	01284377
BF P 10 M 3 W 1.0 /-AS	01284378
BF P 10 M 3 W 1.0 /-RV0.2	01284379
BF P 10 M 3 W 1.0 /-RV0.4	01284380
BF P 10 M 3 W 1.0 /-RV0.7	01284381

### Mounting Hole Pattern



Note: Low temperature options available. All breathers are available with special options and materials. Please contact the factory.

# BREATHERS

## BF 30 Series

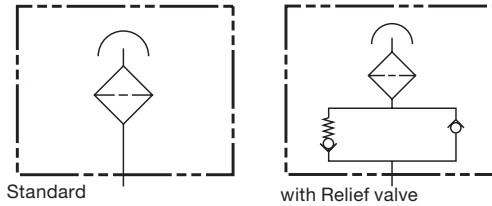
Particulate



### Specifications

- Maximum flow rate - 31 scfm / 230 gpm at 0.04 bar
- Durable synthetic material (PA6)
- 3 micron
- Buna N O-Ring
- Threaded breather connection
- Optional dipstick (*contact factory*)
- Optional customer logo (*contact factory*)
- Optional pressurized breather with relief valve
- Optional anti-splash device
- -22° to 212°F (-30° to 100°C)
- Phenolic resin impregnated filter element

### Hydraulic Symbols



### Model Code

**BF P 30 G 3 W 1.0 / -RV0.4 - DS150**

#### Filter Type

BF = Breather

#### Filter Element Mat.

P = Phenolic Resin Impregnated Paper

#### Size

30

#### Type of Connection

G = BSPP  
N = NPT  
U = SAE  
M = Metric Threads

#### Filtration Rating (micron)

3 = 3µm Air Filtration

#### Gauge Options

W = Without Indicator

#### Modification Number

##### Connection Type

	G (BSPP)	N (NPT)	U (SAE)	M (Metric)
1.0	G 3/4	3/4 NPT	SAE-12	M42x2
2.0	-	1 NPT	-	M30x1.5

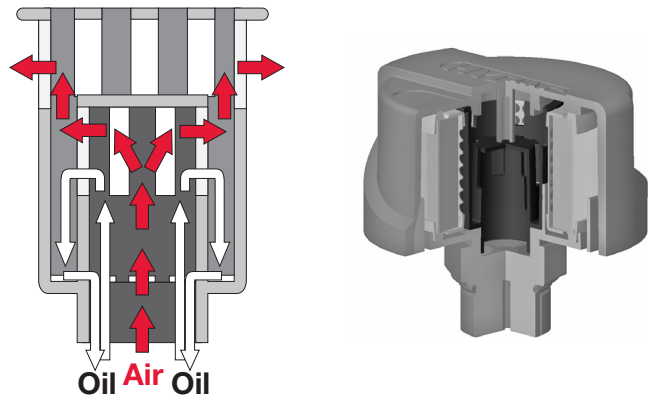
#### Options

(omit) = None  
RV0.2 = Relief Pressure 3 psi (0.2 bar)  
RV0.4 = Relief Pressure 6 psi (0.4 bar)  
RV0.7 = Relief Pressure 10 psi (0.7 bar)  
AS = Anti-Splash protection (*only for version without RV*)

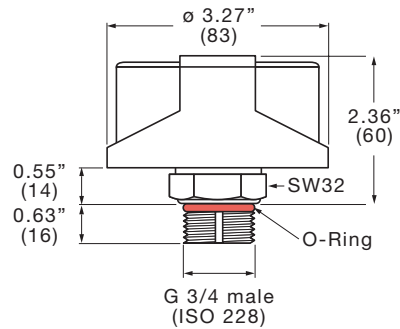
#### Dipstick

DS# = Dipstick (*Length follows DS in millimeters*)  
*minimum quantities apply*

### Anti-Splash



### Dimensions



Dimensions are for general information only, all critical dimensions should be verified by requesting a certified print.  
Dimensions are in inches/(mm)

Note: Low temperature options available. All breathers are available with special options and materials. Please contact the factory.

# ELF...30 Series

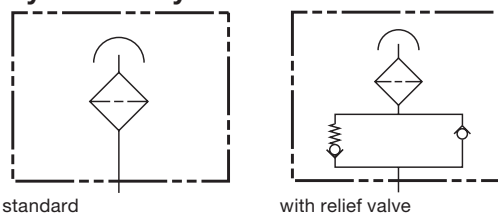
## Particulate Filler



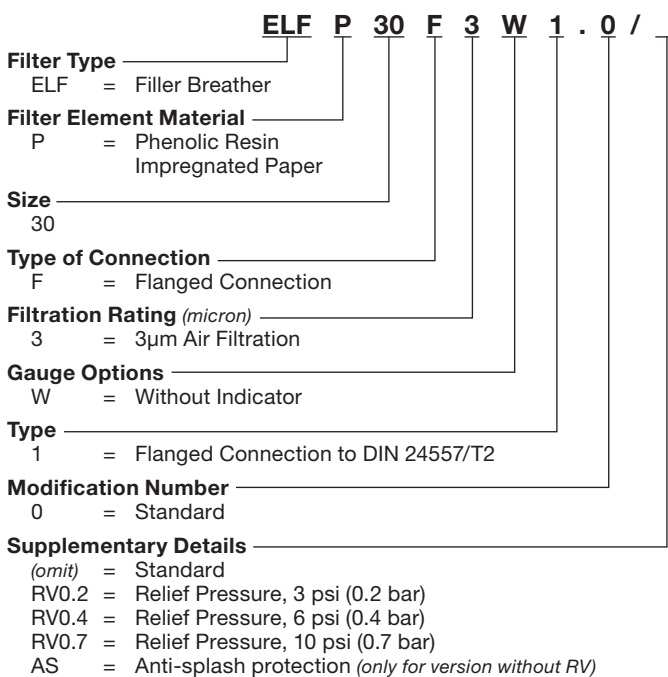
### Specifications

- Maximum flow rate - 31 scfm / 230 gpm at 0.04 bar
- Durable synthetic material (PA6)
- 3 micron
- Buna N O-Ring
- Threaded connection to access fill port
- Installs via 6-bolt circle (*bolts included*)
- Optional dipstick (*contact factory*)
- Optional customer logo (*contact factory*)
- Optional pressurized breather with relief valve
- Optional anti-splash device
- -22° to 212°F (-30° to 100°C)
- Phenolic resin impregnated filter element

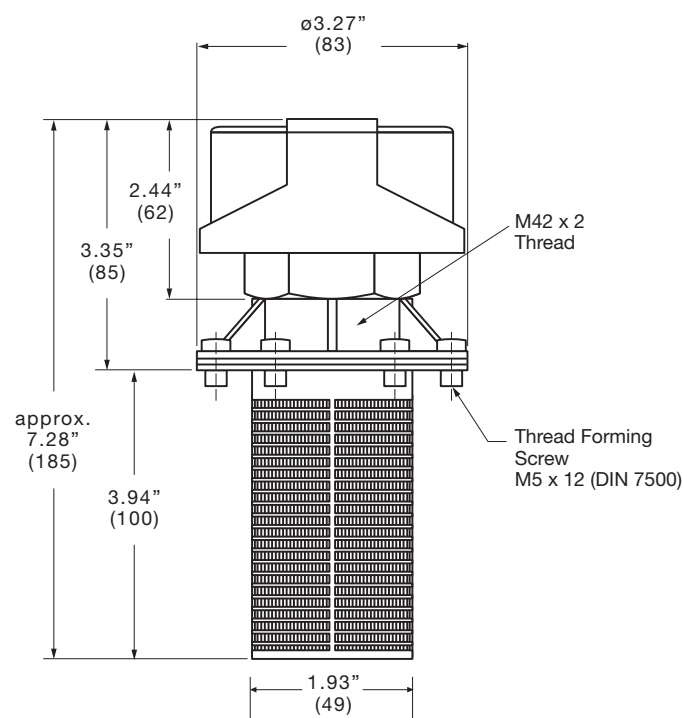
### Hydraulic Symbols



### Model Code



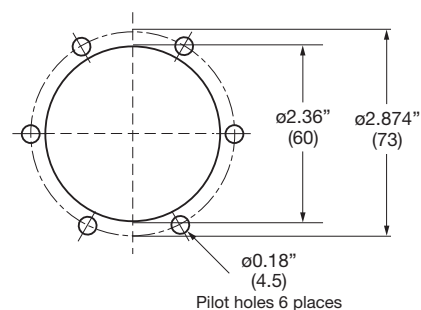
### Dimensions



### Replacement Cap Only (with M42x2 thread)

Model	Part No.
BF P 30 M 3 W 1.0	01286298
BF P 30 M 3 W 1.0 /-AS	03246445
BF P 30 M 3 W 1.0 /-RV0.2	01291009
BF P 30 M 3 W 1.0 /-RV0.4	01290498
BF P 30 M 3 W 1.0 /-RV0.7	01294026

### Mounting Hole Pattern (flange interface to DIN 24557/T2)



Note: Low temperature options available. All breathers are available with special options and materials. Please contact the factory.



# BREATHERS

## BF 5 Series

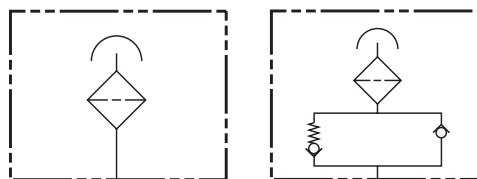
Particulate



### Specifications

- Maximum flow rate - 105 scfm / 790 gpm at 0.01 bar
- Steel housing
- 3 micron
- Replaceable element
- Phenolic resin impregnated filter element

### Hydraulic Symbols



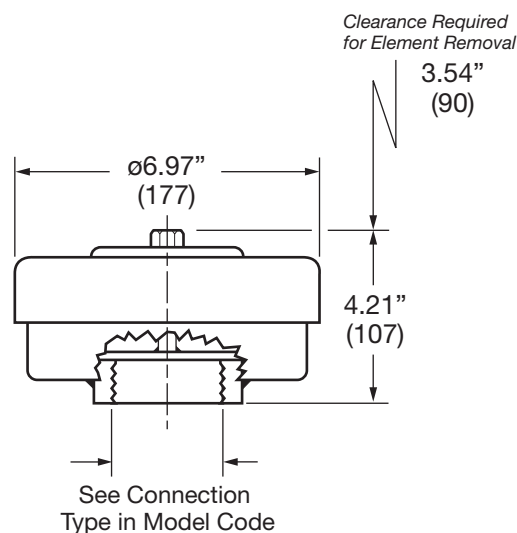
Standard

with Relief Valve

### Model Code

	<b>BF</b>	<b>P</b>	<b>5</b>	<b>G</b>	<b>3</b>	<b>W</b>	<b>1</b>	<b>.</b>	<b>0</b>	<b>/</b>	<b>-RV0.4</b>
<b>Filter Type</b>	BF = Breather										
<b>Filter Element Material</b>	P = Phenolic Resin Impregnated Paper										
<b>Size</b>	5										
<b>Type of Connection</b>	G = BSPP N = NPT										
<b>Filtration Rating (micron)</b>	3 = 3µm Air Filtration										
<b>Gauge Options</b>	W = Without Indicator										
<b>Tank Thread Connection (ISO 228)</b>	G(BSPP) 1 = 2 1/2" BSPP (ISO 228, female) N(NPT) 2 1/2" NPT, (female)										
<b>Modification Number</b>	0 = Standard										
<b>Options</b>	(omit) = None RV0.4= Relief Pressure 6 psi (0.4 bar)										

### Dimensions



Dimensions are for general information only, all critical dimensions should be verified by requesting a certified print.  
Dimensions are in inches/(mm)

### Replacement Elements



Micron	Model Code	Part No.
3	0005L003P	00309450

Note: Low temperature options available. All breathers are available with special options and materials. Please contact the factory.

# ELF 5 Series

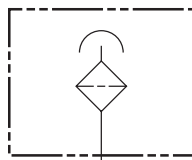
## Particulate Filler



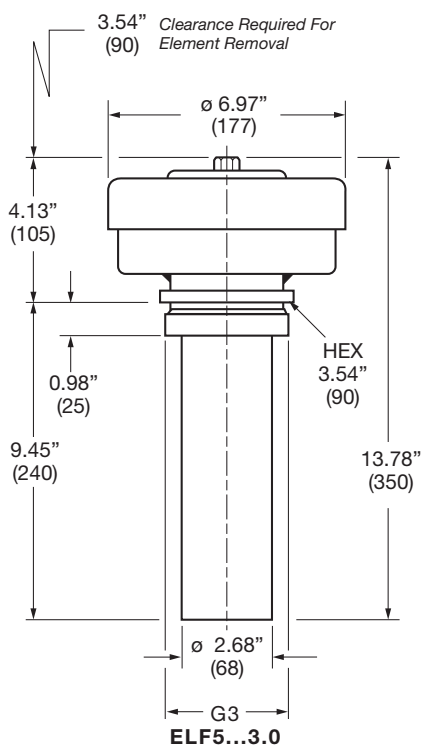
### Specifications

- Maximum flow rate - 105 scfm / 790 gpm at 0.01 bar
- Steel element housing
- 240 mm Zinc-plated metal filler basket
- 3 micron
- Replaceable element
- Removable Lid to access fill port
- Installs via threaded connection (*weld ring optional*)
- Phenolic resin impregnated filter element

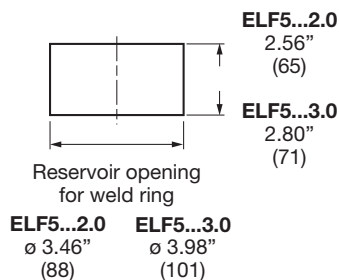
### Hydraulic Symbols



### Dimensions



G2 1/2  
ELF5...2.0



### Model Code

**ELF P 5 G 3 W 2 . 0 /**

**Filter Type** — ELF = Filler Breather

**Filter Element Material** — P = Phenolic Resin Impregnated Paper

**Size** — 5

**Type of Connection** — G = Threaded (*matching threaded weld ring available see supplementary details below*)

**Filtration Rating (micron)** — 3 = 3µm Air Filtration

**Gauge Options** — W = Without Indicator

**Connection Type** — 2 = G 2 1/2 threaded connection  
3 = G 3 threaded connection

**Modification Number** — .0 = Standard

**Supplementary Details** — NO WELD RING = without weld ring  
W/ WELD RING = with weld ring

### Replacement Elements



Micron	Model Code	Part No.	Qty Req.
3	0005L003P	00309450	1

### Weld Rings



Size	Model Code	Part No.
G 2 1/2	RING WELD ELF 5 G 2 1/2	02065053
G 3	RING WELD ELF 5 G 3	02065054

Notes:

1. Dimensions are in inches (mm).
2. Dimensions are for general information only, all critical dimensions should be verified by requesting a certified print.

Note: Low temperature options available. All breathers are available with special options and materials. Please contact the factory.

# BREATHERS

## BF 52 Series

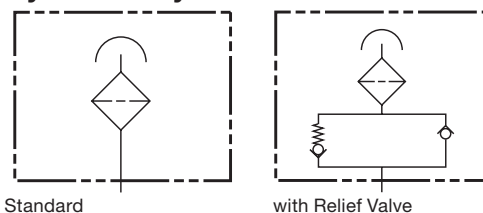
Particulate



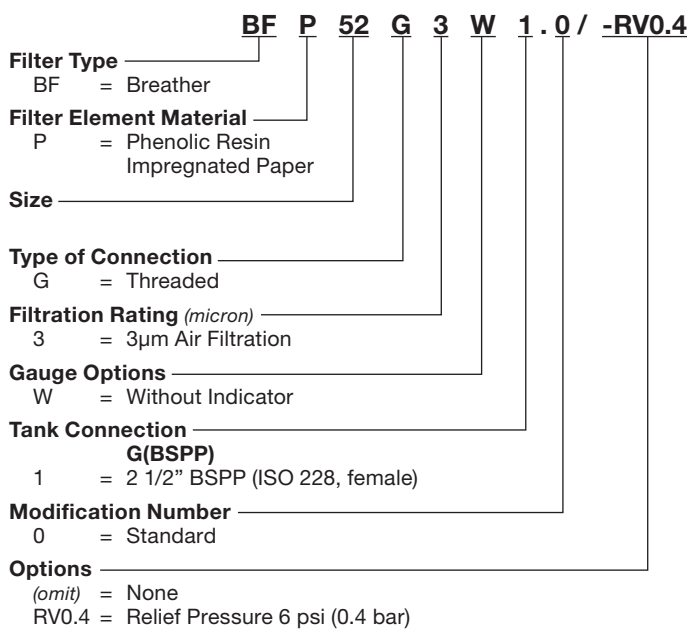
### Specifications

- Maximum flow rate - 176 scfm / 1320 gpm at 0.01 bar
- Steel housing
- 3 micron
- Replaceable element (uses 2 of the standard size 5 elements)
- Phenolic resin impregnated paper
- G 2 1/2" female threaded connection

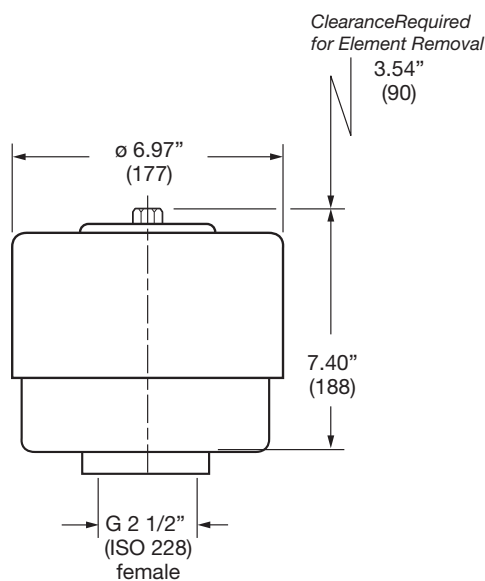
### Hydraulic Symbols



### Model Code



### Dimensions



Dimensions are for general information only, all critical dimensions should be verified by requesting a certified print.  
Dimensions are in inches/(mm)

### Replacement Elements



Micron	Model Code	Part No.	Qty Req.
3	0005L003P	00309450	2

Note: Low temperature options available. All breathers are available with special options and materials. Please contact the factory.

# ELF 52 Series

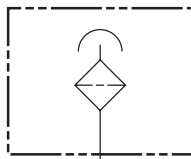
## Particulate Filler



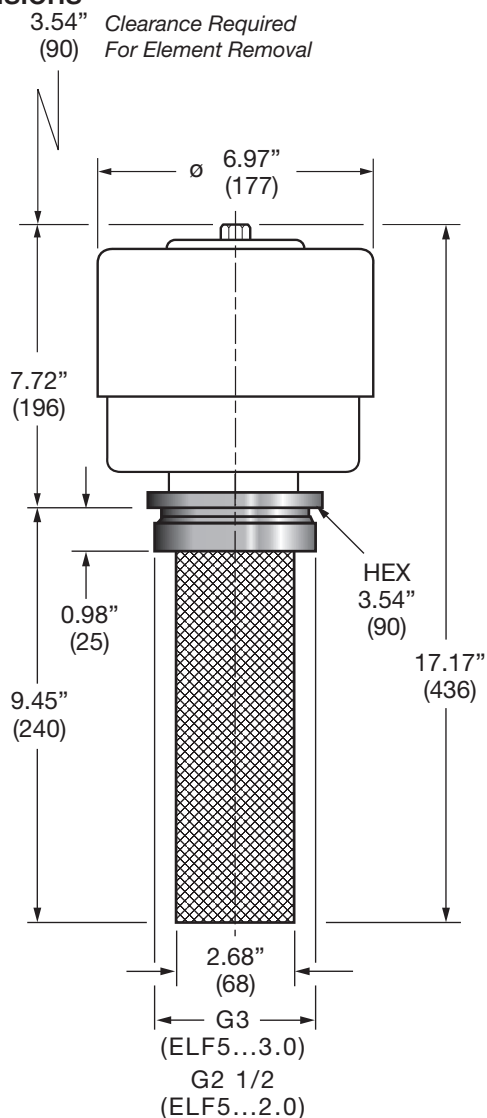
### Specifications

- Maximum flow rate - 176 scfm / 1320 gpm at 0.01 bar
- Steel housing
- 3 micron
- Replaceable element  
*(uses 2 of the standard size 5 elements)*
- Phenolic resin impregnated paper
- Installs via threaded connection  
*(weld ring optional)*

### Hydraulic Symbols



### Dimensions

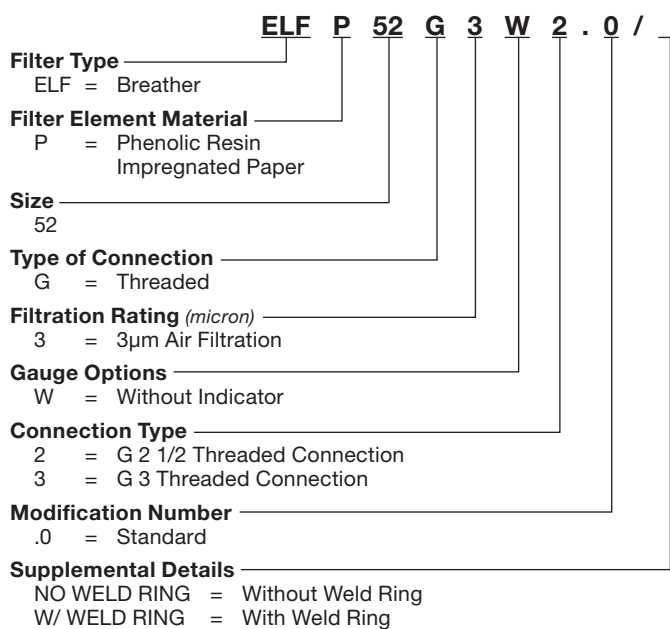


**Notes:**

1. Dimensions are in inches (mm).
2. Dimensions are for general information only, all critical dimensions should be verified by requesting a certified print.

Note: Low temperature options available. All breathers are available with special options and materials. Please contact the factory.

### Model Code



### Replacement Elements



Micron	Model Code	Part No.	Qty Req.
3	0005L003P	00309450	2

### Weld Rings



Size	Model Code	Part No.
G 2 1/2	RING WELD ELF 5 G 2 1/2	02065053
G 3	RING WELD ELF 5 G 3	02065054

# BREATHERS

## BF 7 Series

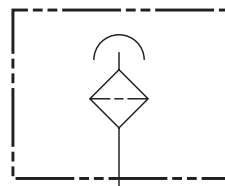
Particulate



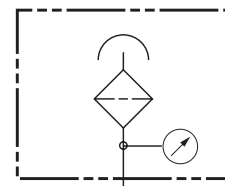
### Specifications

- Maximum flow rate - 63 scfm / 475 gpm at 0.04 bar
- Durable synthetic material (PA6)
- 3 micron
- Replaceable element Phenolic resin impregnated paper
- Threaded breather cap connection
- Differential gauge (*optional*)
- -22° to 212°F (-30° to 100°C)

### Hydraulic Symbols

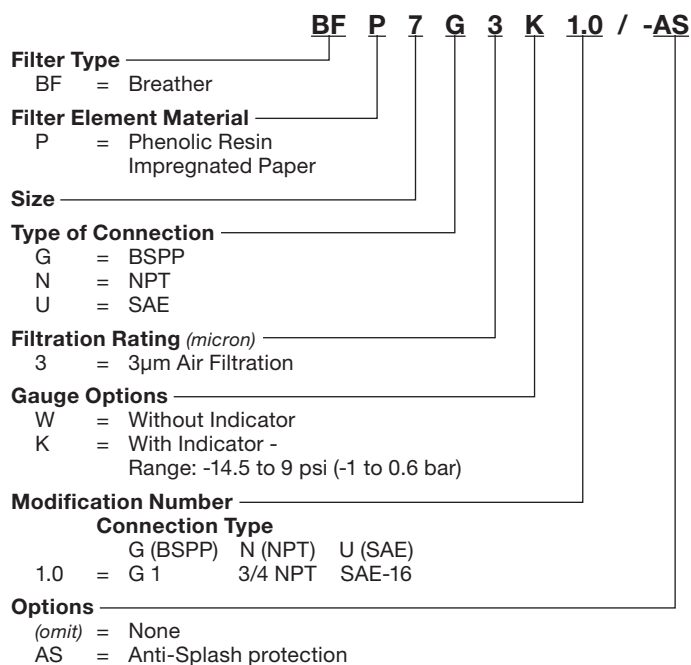


Standard

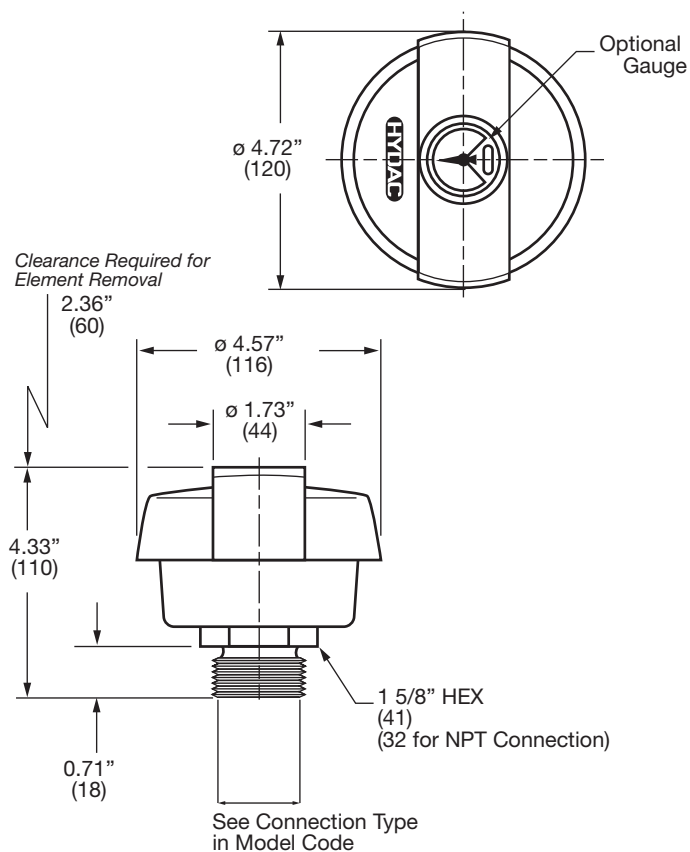


with Indicator

### Model Code



### Dimensions



Dimensions are for general information only, all critical dimensions should be verified by requesting a certified print.  
Dimensions are in inches/(mm)

### Replacement Elements

Micron	Model Code	Part No.
3	0007L003P	00310948



Note: Low temperature options available. All breathers are available with special options and materials. Please contact the factory.

# BF 7 Series

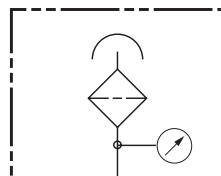
Particulate with Visual Indicator



## Specifications

- Maximum flow rate - up to 74 scfm / 555 gpm at 0.04 bar
- Durable synthetic material (PA6)
- 3 micron
- Replaceable element
- Phenolic resin impregnated paper
- Threaded or flanged breather connection
- Visual indicator (*see below*)
- -22° to 212°F (-30° to 100°C)

## Hydraulic Symbols



with Indicator

## Model Code

**BF P 7 F 3 UBM 0.0 /- AS**

**Filter Type** ———— BF = Breather

**Filter Element Material** ———— P = Phenolic Resin Impregnated Paper

**Size** ———— 7 (63 scfm / 475 gpm)

**Type of Connection** ———— F = Flanged  
G = Threaded  
N = NPT

**Filtration Rating (micron)** ———— 3 = 3µm Air Filtration

**Gauge Options** ———— UBM = Visual Indicator of Vacuum Pressure with Manual Reset - Range to 0.5 psi (0.035 bar)

**Tank Connection** ————

	<b>G(BSPP)</b>	<b>F(Flanged)</b> DIN 24557/2 6 Hole Flange	<b>N(NPT)</b>
0.0 =	-	-	-
1.0 =	1" BSPP	-	3/4"
2.0 =	3/4" BSPP	-	-
3.0 =	1 1/2-16 UN-2B (female)	-	-

**Options** ———— (omit) = None  
AS = Anti-Splash protection

## Visual Indicator

The visual indicator shows by percentage the increase in vacuum pressure drop across the element. The percentage remains visible even when the system is turned off. When the element is changed a manual reset button must be pressed.

## Model Code

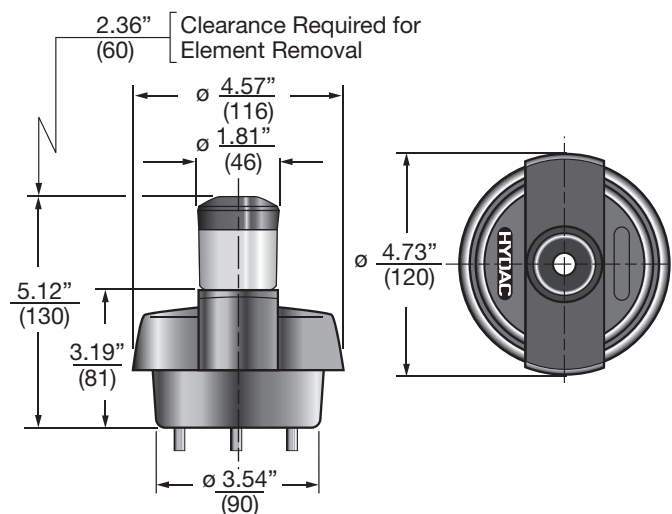
VMF 0.035 UBM.X

## Part Number

01279244



## Dimensions



## Replacement Elements

Micron	Model Code	Part No.
3	0007L003P	00310948



Dimensions are for general information only, all critical dimensions should be verified by requesting a certified print.  
Dimensions are in inches/(mm)

Note: Low temperature options available. All breathers are available with special options and materials. Please contact the factory.

# BREATHERS

## ELF...7 Series

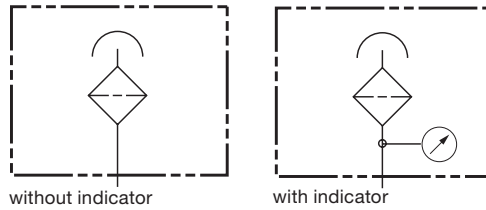
Particulate Filler



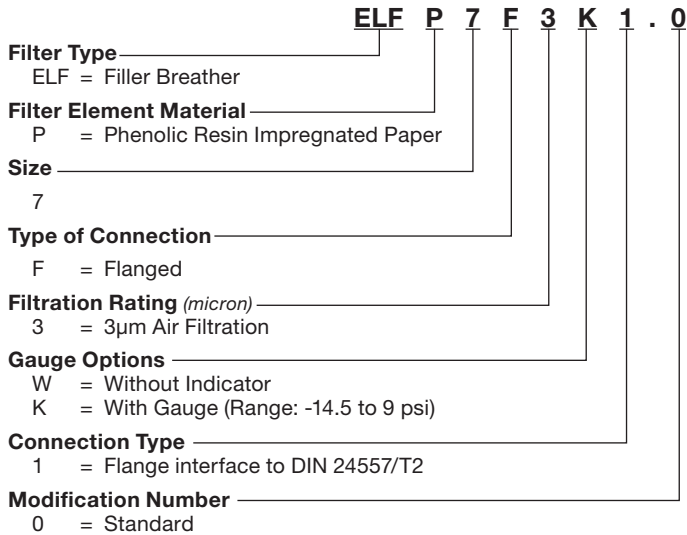
### Specifications

- Maximum flow rate - 63 scfm / 475 gpm at 0.04 bar
- Durable synthetic material (PA6)
- 3 micron
- 500 micron plastic filler basket
- Replaceable element Phenolic resin impregnated paper
- Removable lid to access fill port
- Installs via 6-bolt circle (*bolts included*)
- Differential gauge (*optional*)
- -22° to 212°F (-30° to 100°C)

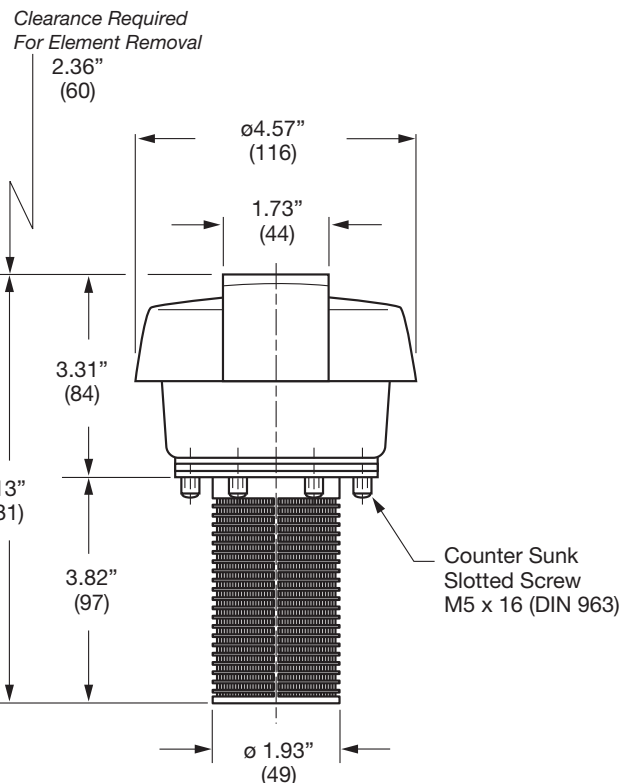
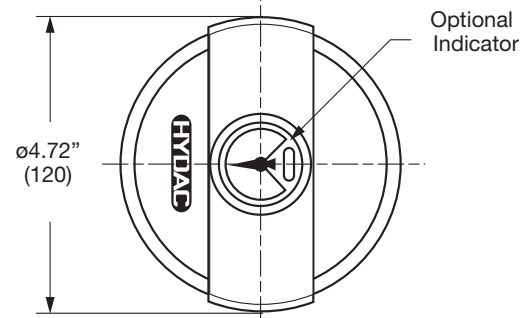
### Hydraulic Symbols



### Model Code



### Dimensions



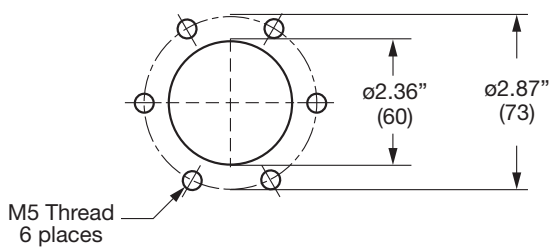
### Replacement Elements



Micron	Model Code	Part No.
3	0007L003P	00310948

### Mounting Hole Pattern

(flange interface to DIN 24557/T2)



Note: Low temperature options available. All breathers are available with special options and materials. Please contact the factory.

# BF 72 Series

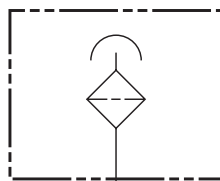
Particulate



## Specifications

- Maximum flow rate - 74 scfm / 555 gpm at 0.04 bar
- Durable synthetic material (PA6)
- 3 micron
- Replaceable element
- Phenolic resin impregnated paper
- Removable lid to access fill port
- Threaded breather cap connection
- Differential gauge (optional)
- -22° to 212°F (-30° to 100°C)

## Hydraulic Symbols



Standard

## Model Code

**BF P 72 G 3 W 1 . 0 / -AS**

### Filter Type

BF = Breather

### Filter Element Material

P = Phenolic Resin Impregnated Paper

### Size

72

### Type of Connection

G = Threaded BSPP

N = Threaded NPT (*consult factory*)

### Filtration Rating (micron)

3 = 3µm Air Filtration

### Gauge Options

W = Without Indicator

### Tank Thread Connection

**G (BSPP) N (NPT)**

1.0 = G1

3/4 NPT

### Modification Number

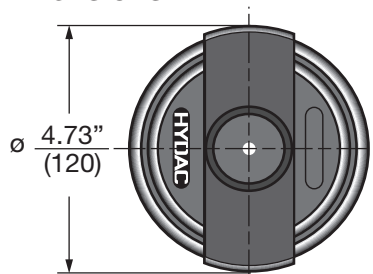
0 = Standard

### Options

(omit) = None

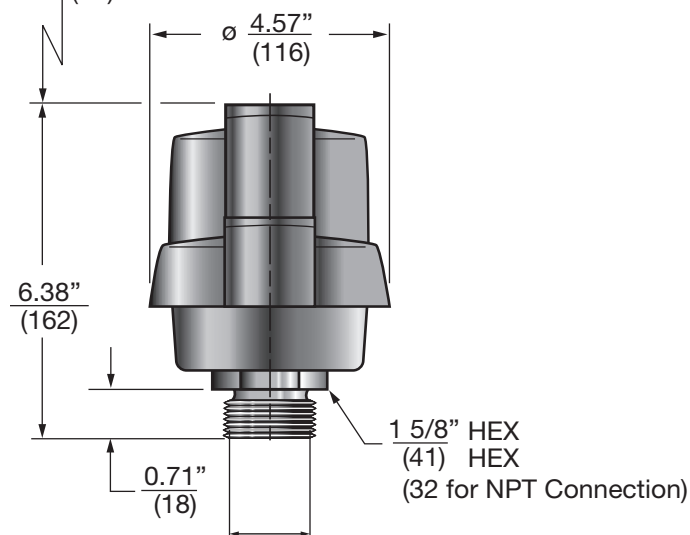
AS = Anti-splash protection

## Dimensions



### Clearance Required for Element Removal

2.36"  
(60)



See Connection Type in Model Code

Dimensions are for general information only, all critical dimensions should be verified by requesting a certified print.  
Dimensions are in inches/(mm)

## Replacement Elements



Micron	Model Code	Part No.
3	0072L003P	1293285

Note: Low temperature options available. All breathers are available with special options and materials. Please contact the factory.



# BREATHERS

## ELF...72 Series

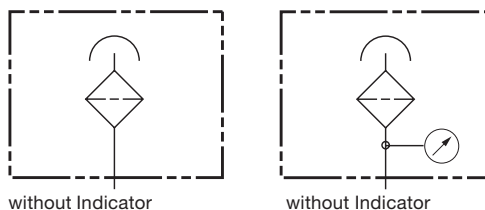
Particulate Filler



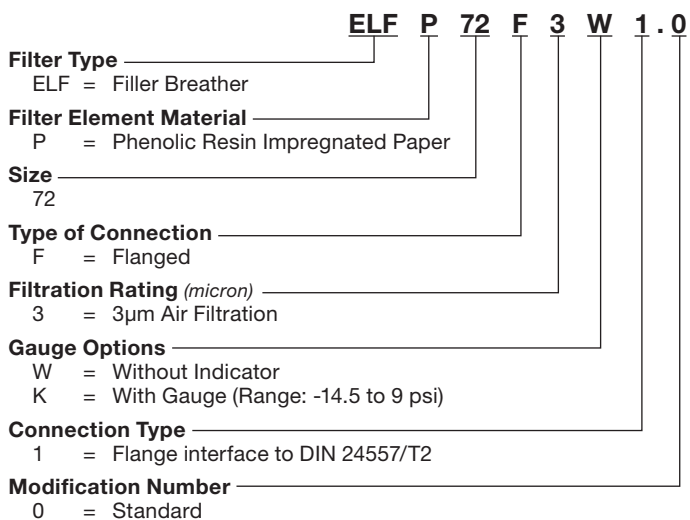
### Specifications

- Maximum flow rate - 74 scfm / 555 gpm at 0.04 bar
- Durable synthetic material (PA6)
- 3 micron
- 500 micron plastic filler basket
- Replaceable element
- Phenolic resin impregnated paper
- Removable lid to access fill port
- Installs via 6-bolt circle (bolts included)
- Differential gauge (optional)
- -22° to 212°F (-30° to 100°C)

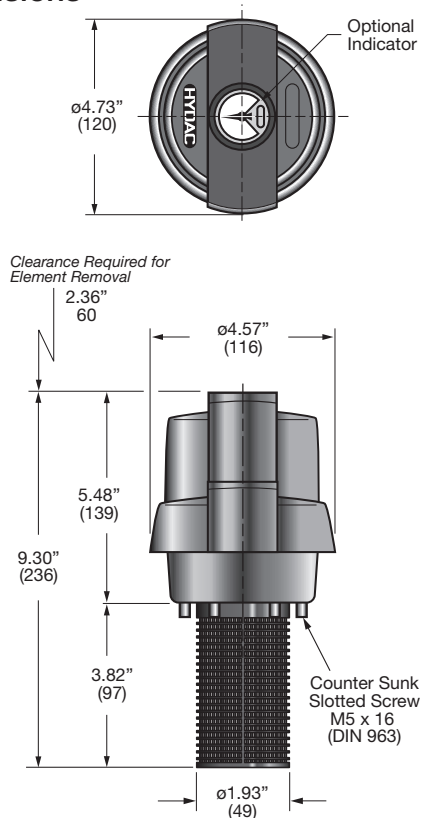
### Hydraulic Symbols



### Model Code



### Dimensions



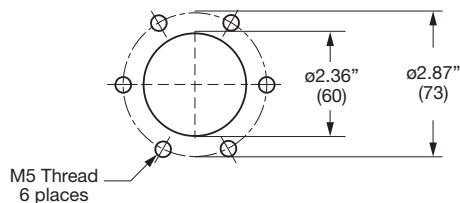
### Replacement Element



Micron	Model Code	Part No.
3	0072L003P	1293285

### Mounting Hole Pattern

(flange interface to DIN 24557/T2)



Note: Low temperature options available. All breathers are available with special options and materials. Please contact the factory.

# BF 8 Series

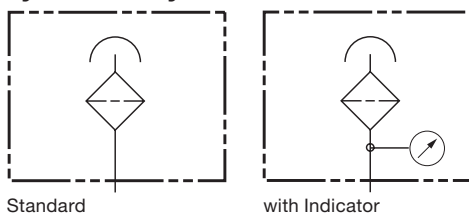
Particulate



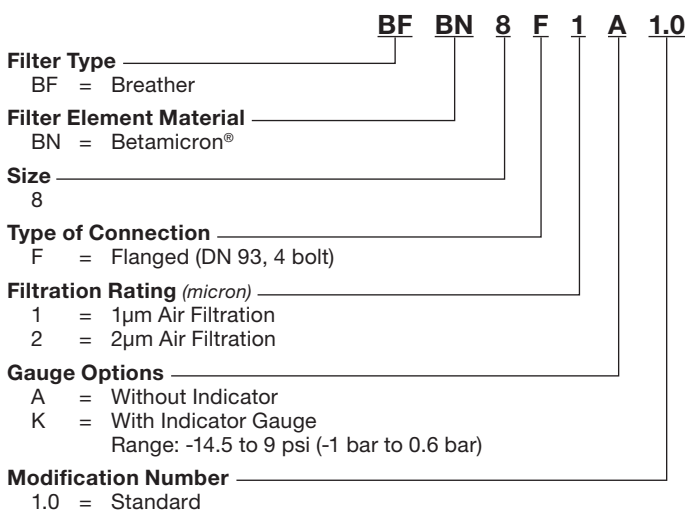
## Specifications

- Maximum flow rate - 352 scfm / 2640 gpm at 0.01 bar
- Steel housing
- 1 micron Air Filter
- Replaceable element
- 4 bolt DN 93 flange

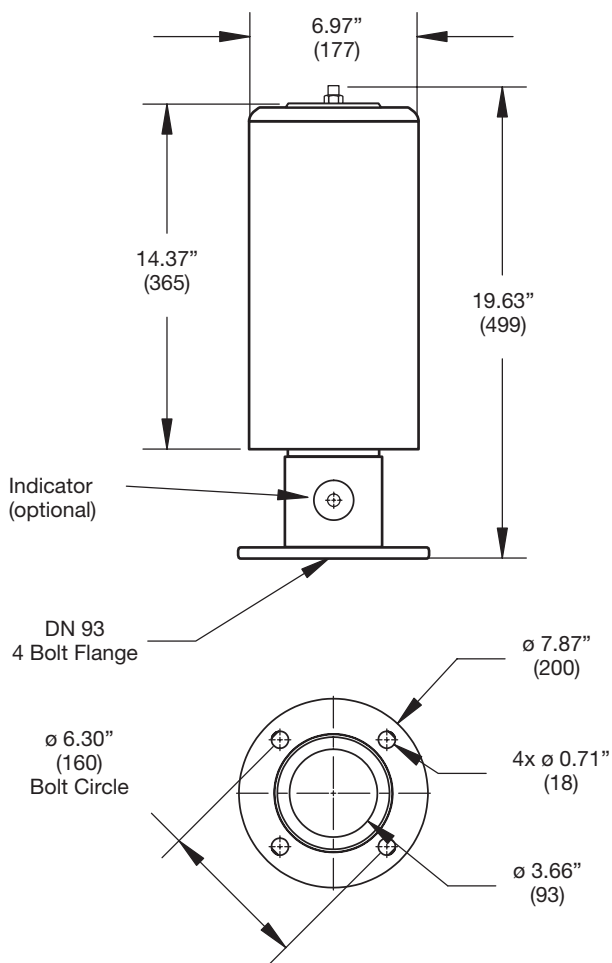
## Hydraulic Symbols



## Model Code



## Dimensions



## Replacement Elements



Micron	Model Code	Part No.
1	0008L001BN4	01266598
2	0008L002BN4	01265021

Dimensions are for general information only, all critical dimensions should be verified by requesting a certified print. Dimensions are in inches/(mm)

Note: Low temperature options available. All breathers are available with special options and materials. Please contact the factory.

# BREATHERS

## BF 9 Series

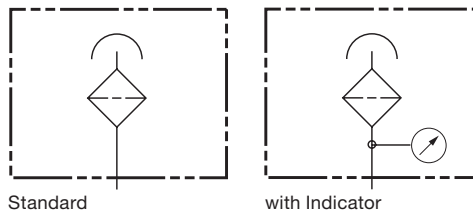
Particulate with Oil Mist Trap



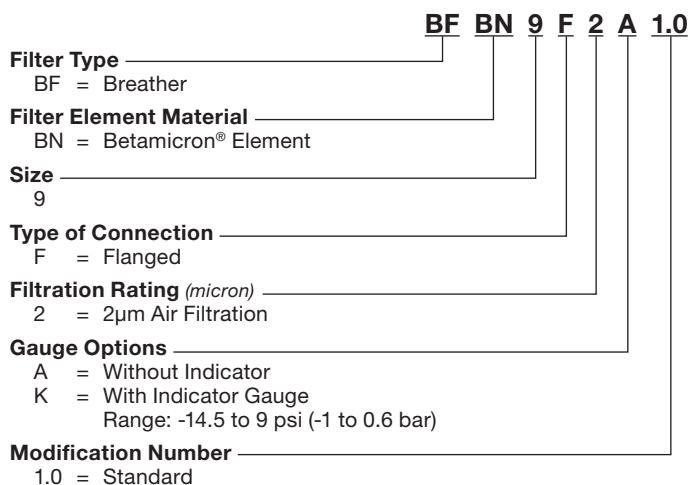
### Specifications

- Maximum flow rate - 528 scfm / 3960 gpm at 0.01 bar
- Aluminum housing
- Replaceable element
- 2  $\mu$ m Air Filter
- 8 bolt DN 125 flange

### Hydraulic Symbols

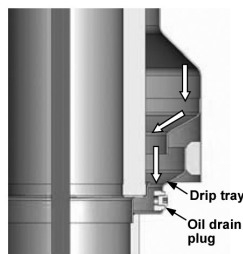


### Model Code

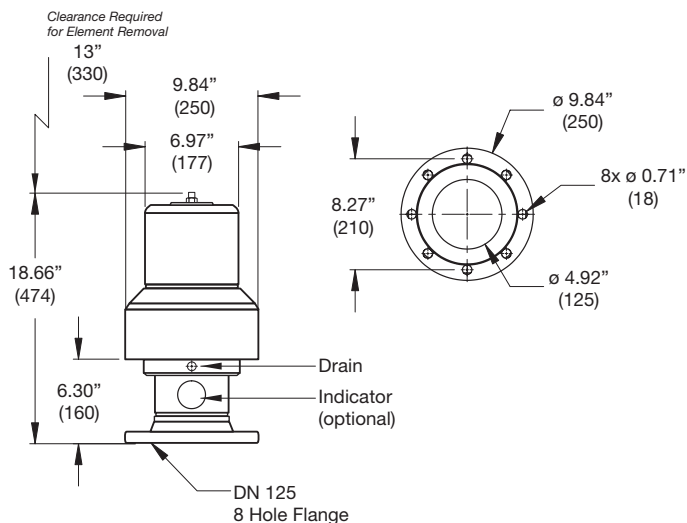


### Oil Mist Trap

The oil mist in the filter is collected in a “drip tray” and is returned safely to the tank, or it can be drained via an oil drain plug. No oil runs down onto the top of the tank.



### Dimensions



### Replacement Elements



Micron	Model Code	Part No.
2	0009L002BN	01287471

Dimensions are for general information only, all critical dimensions should be verified by requesting a certified print. Dimensions are in inches/(mm)

Note: Low temperature options available. All breathers are available with special options and materials. Please contact the factory.