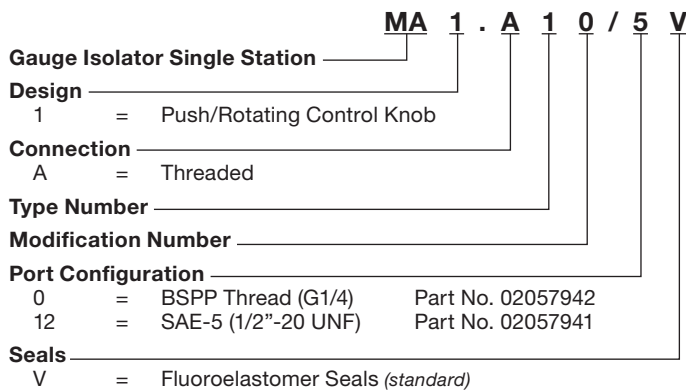


MA Series

Single Gauge Isolator



Model Code



Description

- Gauge life is extended by using the MA 1 when reading pressure. When not reading pressure, the gauge is vented to tank to protect the gauge against pressure from the system.
- There are two ways to operate the MA 1:
 - Push to read (*spring return*)
 - Push and rotate clockwise to lock in for continuous pressure reading

Specifications

Mounting

- Panel installation maximum 0.39"

Connections

- SAE-5, or G1/4 (Ports M, P, T)

Weight

- 0.88 lbs./0.4 kg

Mounting Position

- Horizontal or Vertical

Operating Fluid

- Mineral Oils

Hydraulic Data

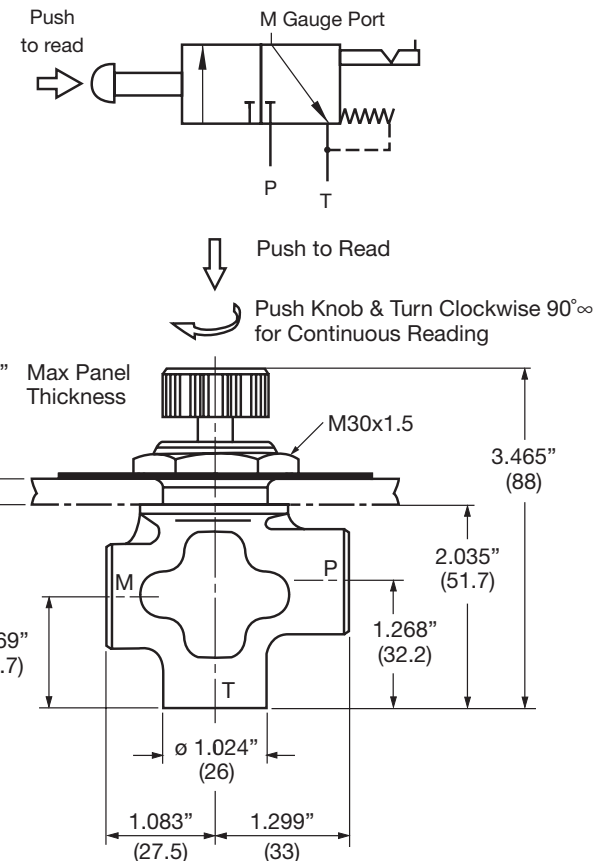
Operating Pressure

- P max. 5075 psi/350 bar (T-Port max. 145 psi/10 bar)

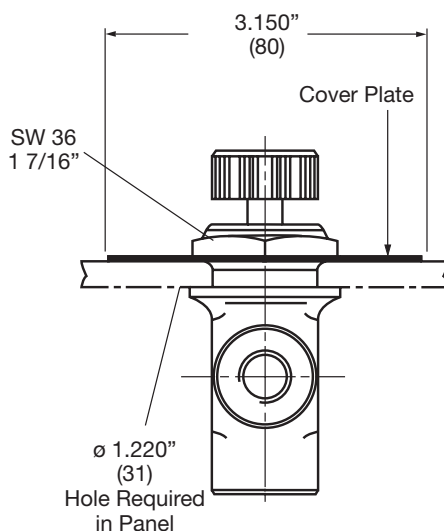
Temperature Range

- -4° to 176°F (-20° to 80°C)

Hydraulic Symbol



Dimensions



Notes:

1. Dimensions are in inches (mm).
2. Dimensions are for general information only, all critical dimensions should be verified by requesting a certified print.

GAUGE ISOLATORS

MSL Series

Zero Leakage Multi-Station Gauge Isolators with Integral Gauge



Specifications

Mounting Method

- Flange mounting via four 1/4" bolts. It is recommended that the measuring points with pressures of over 1450 psi (100 bar) be arranged symmetrically. Ports not in use should be plugged.

Weight

- 3.8 lbs. / 1.7 kg.

Mounting Position

- Optional

Fluids

- General purpose hydraulic oil. For other fluids, contact **HYDAC** for information.

Type of Connections

- 6 measuring points
- 1 tank connection

Hydraulic Data

Operating Pressure Range

- Max. operating pressure at measuring points 1- 6 4500 psi (315 bar)
- Max. Tank connection pressure 145 psi (10 bar)

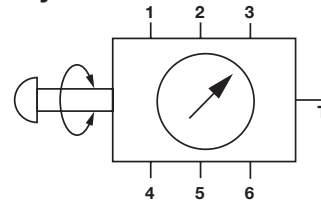
Fluid Temperature Range

- - 5° to 160°F (-20° to 70°C)

Gauge Accuracy

- Built-in gauge accuracy is ±1.6% of the max. scale value at 68°F (20°C). The error per additional 50°F (10°C) temperature increase is +0.3% and 50°F (10°C) temperature reduction is -0.3%. Values are based on red scale indication.

Hydraulic Symbol



Model Code

MSL 2 G 2 . 0 / 315 V

Multi-Station Gauge Isolator

MSL = Zero Leakage Model

Model

2 = with Built-in Pressure Gauge

Type and Size of Connection (All Ports)

G = 1/4" NPT

H = SAE-4 (7/16"-20 UNF)

A = BSPP (G1/4)

Type Number

Modification Number

Gauge Indication Range

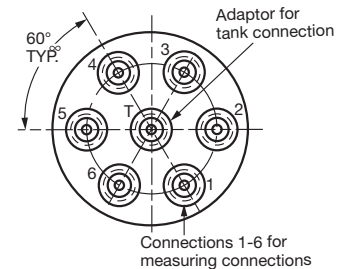
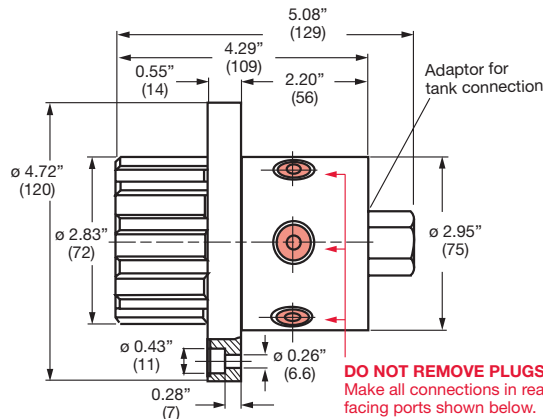
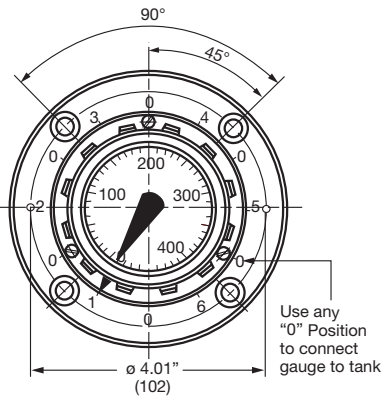
Size	Operating Pressure Zone (Black Scale)	Over Pressure Zone (Red Scale)
40	0 - 570 psi (0 - 40 bar)	570 - 900 psi (40 - 63 bar)
63	0 - 900 psi (0 - 63 bar)	900 - 1400 psi (63 - 100 bar)
100	0 - 1400 psi (0 - 100 bar)	1500 - 2300 psi (100 - 160 bar)
180	0 - 2600 psi (0 - 180 bar)	2600 - 3600 psi (180 - 250 bar)
315	0 - 4500 psi (0 - 315 bar)	4500 - 5700 psi (315 - 400 bar)

Supplementary Details

(omit) = Buna Seals

V = Viton Seals

Dimensions



Notes:

1. Dimensions are in inches (mm).

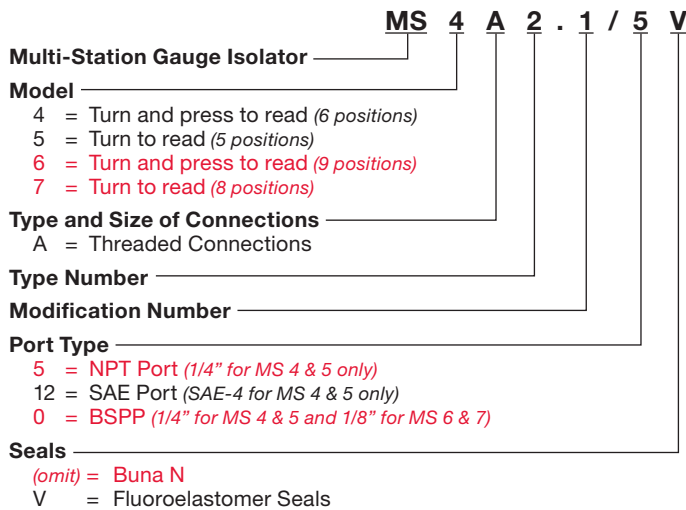
2. Dimensions are for general information only, all critical dimensions should be verified by requesting a certified print.

MS Series

Multi-Station Gauge Isolators



Model Code



Specifications

Mounting Method

- Flange mounting via four 1/4" bolts. It is recommended that the measuring points with pressures of over 1450 PSI / 100 Bar be arranged symmetrically. Ports not in use should be plugged.

Weights

- MS 4 & MS 5** 3.1 lbs. / 1.4 kg.
- MS 6 & MS 7** 4.2 lbs. / 1.9 kg.

Mounting Position

- Optional

Fluids

- General purpose hydraulic oil. For other fluids, contact the HYDAC office for information.

Types of Connections

- MS 4 / MS 6**
 1 gauge connection (M)
 1 tank connection (T)
- MS 5 / MS 7**
 1 gauge connection (M)
 1 tank connection (T)
 1 leakage connection (L)

Hydraulic Data

Operating Pressure Range

- MS 4 / MS 5 / MS 6 / MS 7**
 Max. operating pressure range at measuring points
 4500 psi (315 bar)
- Max. tank and leakage connection pressure 145 psi (10 bar)

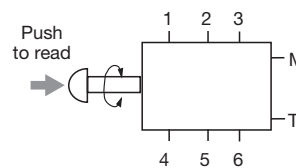
Fluid Temperature Range

- 5° to 160°F (-20° to 70°C)

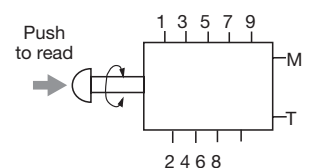
Hydraulic Symbol

M = Gauge (measuring) connection
 T = Tank connection
 L = Leakage connection

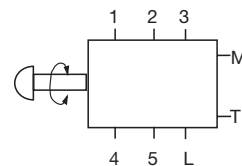
Type MS 4



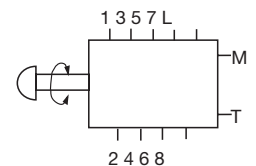
Type MS 6



Type MS 5



Type MS 7

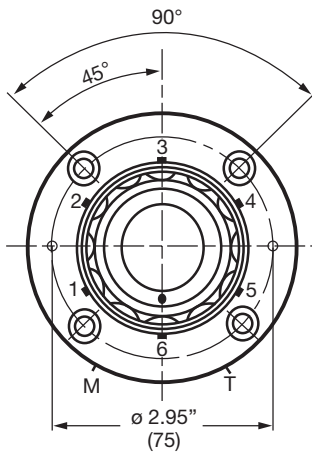


See dimensions next page.

GAUGE ISOLATORS

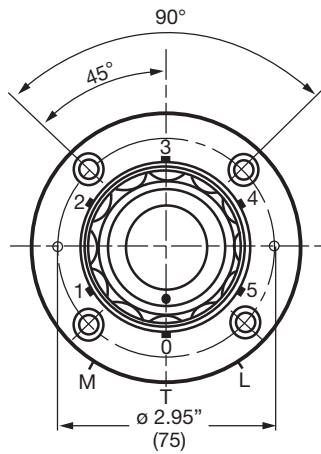
Dimensions

Type MS 4

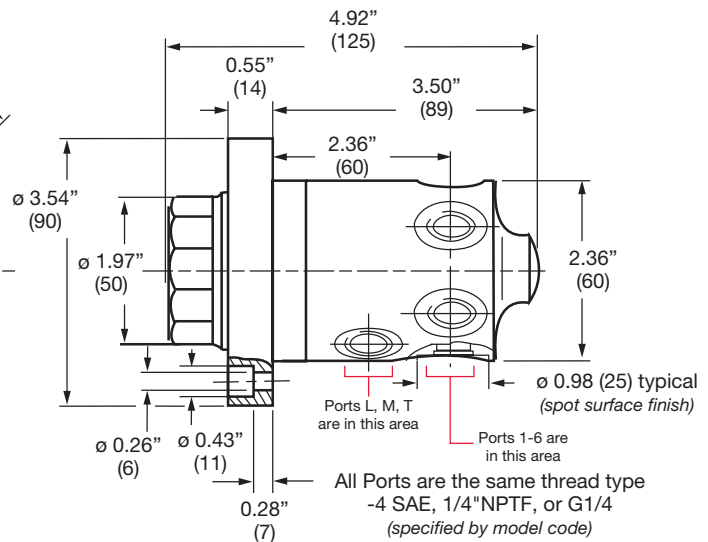


Push to read pressure,
release to connect
gauge back to tank

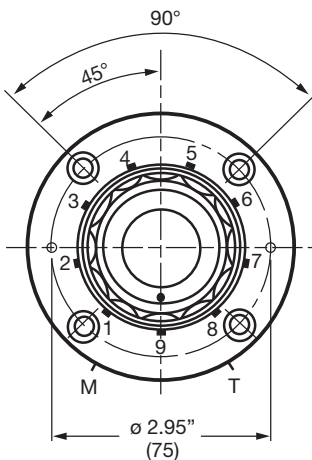
Type MS 5



Turn to "0" position
to connect
gauge back to tank

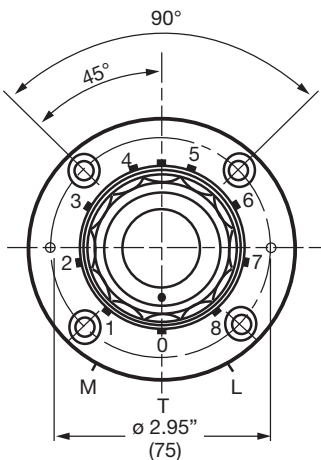


Type MS 6

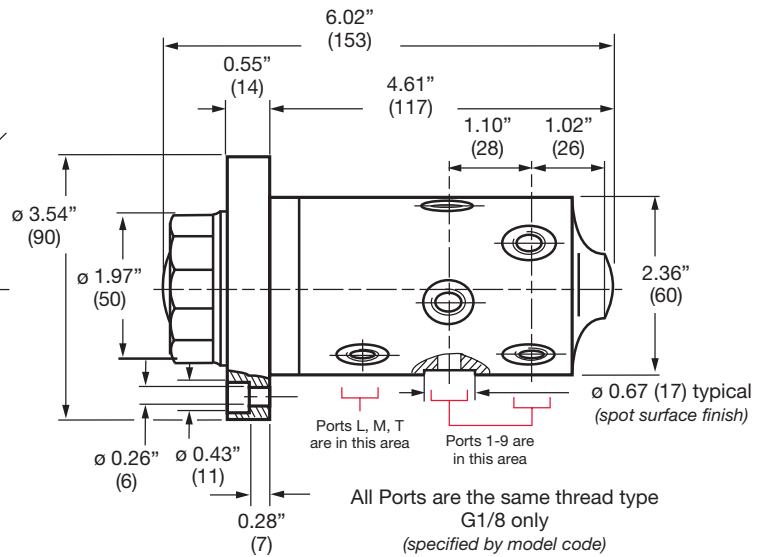


Push to read pressure,
release to connect
gauge back to tank

Type MS 7



Turn to "0" position
to connect
gauge back to tank



Notes:

1. Dimensions are in inches (mm) and lbs (kg).
2. Dimensions are for general information only, all critical dimensions should be verified by requesting a certified print.