

Universal Off-Highway Control – HY-TTC 48XS

General Description

HY-TTC 48XS is an intelligent I/O module that is controlled using CANopen®. It is compliant to CANopen Safety standard certified by CiA and to the international ISO/EN 13849 standard on functional safety, performance level (PL) d. It is part of a complete and compatible product family and is protected by a compact, automotive-style housing suited to mobile applications in harsh environments.

Specifications

Parameter		Unit
ECU Dimensions	147.6 x 180.3 x 39.8	mm
Dimensions for minimum connector release clearance	197.7 x 202.8 x 39.8	mm
Weight	about 650	g
Operating Temperature	-40 to +85	°C
Operating Altitude	0 to 4000	m
Supply Voltage	8 to 32	V
Peak Voltage	45	V _{max}
Idle Current	0.15 at 9 V	A _{max}
Standby Current	0.5	mA _{max}
Current	25	A _{max}
Fulfills the following standards		
CE-Mark	2014/30/EU 2006/42/EC	
E-Mark	ECE-R10 Rev.4	
EMC	ISO13766, up to 100 V/m, 20 MHz to 1GHz	
ESD	IEC61000-4-2	
Load Dump	ISO7637-2, 173 V, 2 Ohm	
Ingression Protection	EN 60529 IP 65, IP67 DIN 40050 IP 6K9K	
Communication Profile	CANopen CiA DS-401 CANopen EN 50325-5	
Temperature	EN 60068-2-1, -14Nb, -2, -78, -30	
Vibration, Shock, Bump	IEC 60068-2-29, -64, -27, -32	
Functional Safety	ISO EN 13849 – PL d	

Features

All I/Os and interfaces mentioned below are protected against short circuit to GND and BAT+.

CPU core

- 16/32-bit Infineon XC2287M microcontroller, 80 MHz, 832 kB int. Flash, 50 kB int. RAM, 512 kB ext. RAM
- CPU-internal safety features
 - Hardware CRC checker for supervising flash memory
 - Integrated Memory Protection Unit (MPU)
 - RAM content protection through Error-Correcting Code (ECC).
- Watchdog CPU Freescale HC 908, including monitoring software
- 64 kbit EEPROM

Interfaces

- 1x CAN, 125 kbit/s up to 1 Mbit/s

Outputs

- 8x digital OUT 2 A high-side, PWM, configurable as timer inputs
- 8x digital OUT 4 A high-side, configurable as analog inputs

Inputs

- 8x analog IN 0 to 5 V or 4 to 20 mA / 10 bit, configured by software
alternative use as resistive measurements
- 8x analog IN 0 to 32 V / 10 bit, range configurable by SW
- 4x current feedback, configurable as digital outputs/ lowside 2 A
- 4x digital IN (4 timer 0,1 Hz to 10 kHz)
- 8x digital IN

Other

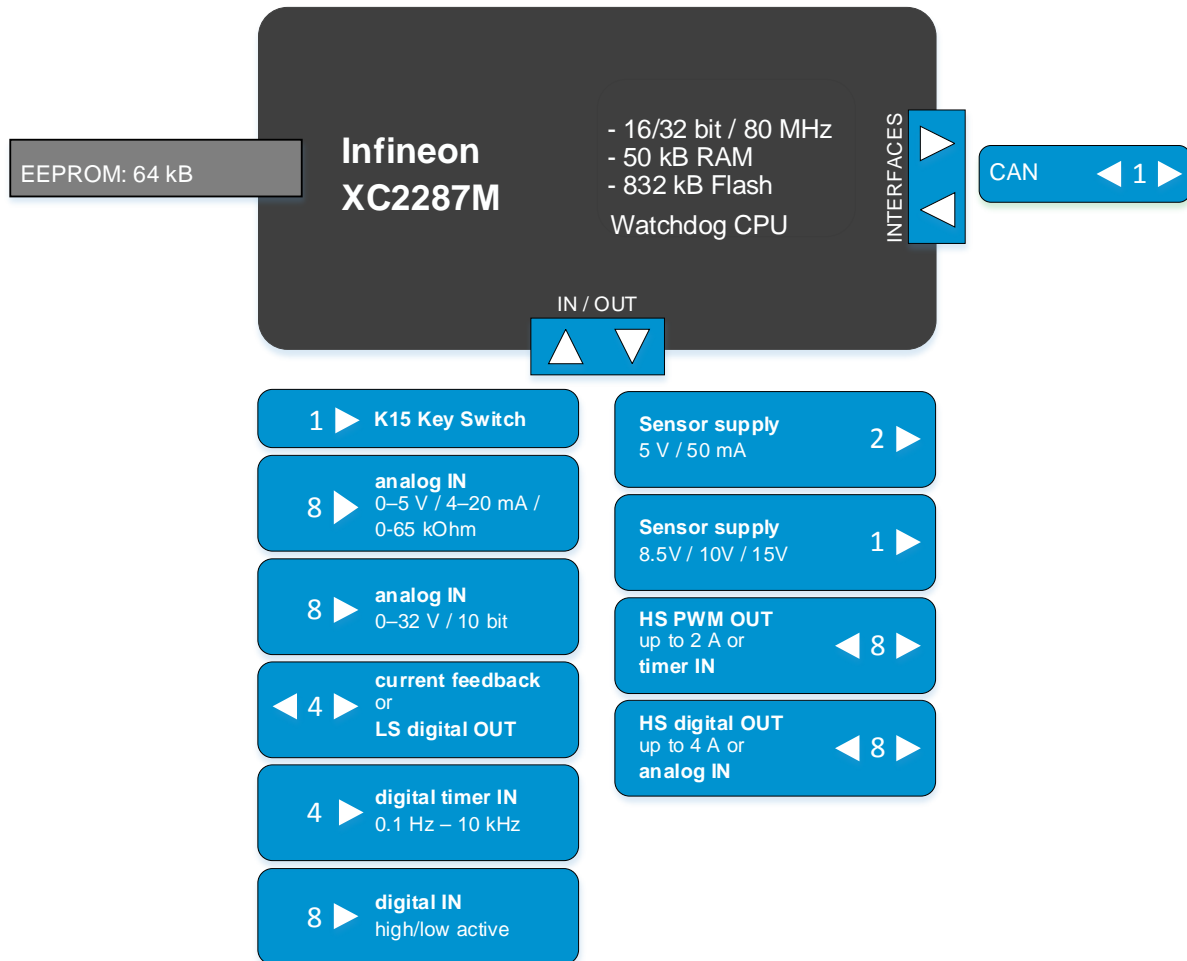
- Internal: monitoring of board temperature, sensor supply and battery
- 1x sensor supply 8.5 V/10.0V/14.5 V configurable
- 2x sensor supply 5 V

Software

- CANopen® Safety slave software preinstalled

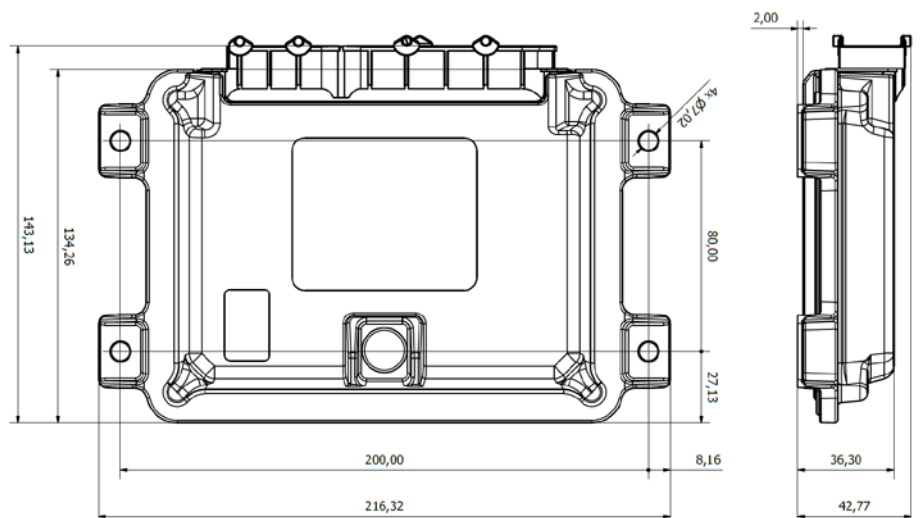


Block Diagram



Housing and Connector

- Aluminum pressure die-cast housing
- Water-proof 80-pin connector
- Pressure adjusting with water barrier



For further information, including price and availability, please contact products@ttcontrol.com

Subject to changes and corrections. HY-TTC 48XS is a product name of TTControl GmbH. Other trademarks are the property of their respective holders. To the extent possible under applicable law TTControl hereby disclaims any and all liability for the content and use of this product flyer.