

HY-eVision² 10.4 PCT

Description

Compact 10.4" monitor with a built-in high-end HY-eVision² display controller for use in off-highway vehicles. Ready to connect up to two external analog cameras and simultaneously display two video feeds. The device can be mounted in the vehicle dashboard, or through a RAM ball elsewhere in the vehicle cockpit in landscape or portrait orientation. Its display is characterized by low reflection and high color saturation and provides optimal readability in any lighting conditions. Seven programmable control keys, three hard keys, together with the touch screen, create this easy-to-use Human Machine Interface (HMI).



Specifications

Display diagonal size	10.4" (26 cm) 4:3 aspect ratio
Dimensions	280 (W) x 232 (H) x 62 (D) mm
Weight	2.7 kg
Resolution	1024 (W) x 768 (H) pixel
Active area	210.4 (H) x 157.8 (V) mm
LCD type	TFT (thin film transistor) active matrix
Backlight	LED
Backlight lifetime	50,000 hours (min) at +25 °C
Housing	Aluminum diecast

Optical Characteristics

Luminance	500 cd /m ²
Viewing angle	V = 88° H = 88°
Contrast ratio	1200:1

Maximum Ratings

Operating temperature	-30 to +60 °C (ambient)
Storage temperature	-30 to +80 °C
Supply voltage	9 to 32 V

Standards

CE-Mark	2014/30/EU
E- Mark	ECE-R10 Rev.3
EMC	EN 13309
ESD	ISO 10605
Electrical	ISO 16750-2 ISO 7637-3
Ingress Protection	EN 60529 IP65 ISO 20653 IP6k5
Climatic	ISO 16750-4
Mechanical	ISO 16750-3

System Components

- Freescale i.MX51x application processor 32bit ARM Cortex A8 800MHz
- 1 GB Flash; 512 MB RAM
- RTC buffered by supercapacitor
- Keyboard with 7 freely programmable buttons and three hard keys for up, down and enter with key backlight
- Auto-dimmable display backlight via ambient light sensor
- Internal temperature sensors for ambient and CPU temperature
- Panel or cabin mount, landscape or portrait orientation
- Projective capacitive touchscreen
- Optically bonded

Interfaces

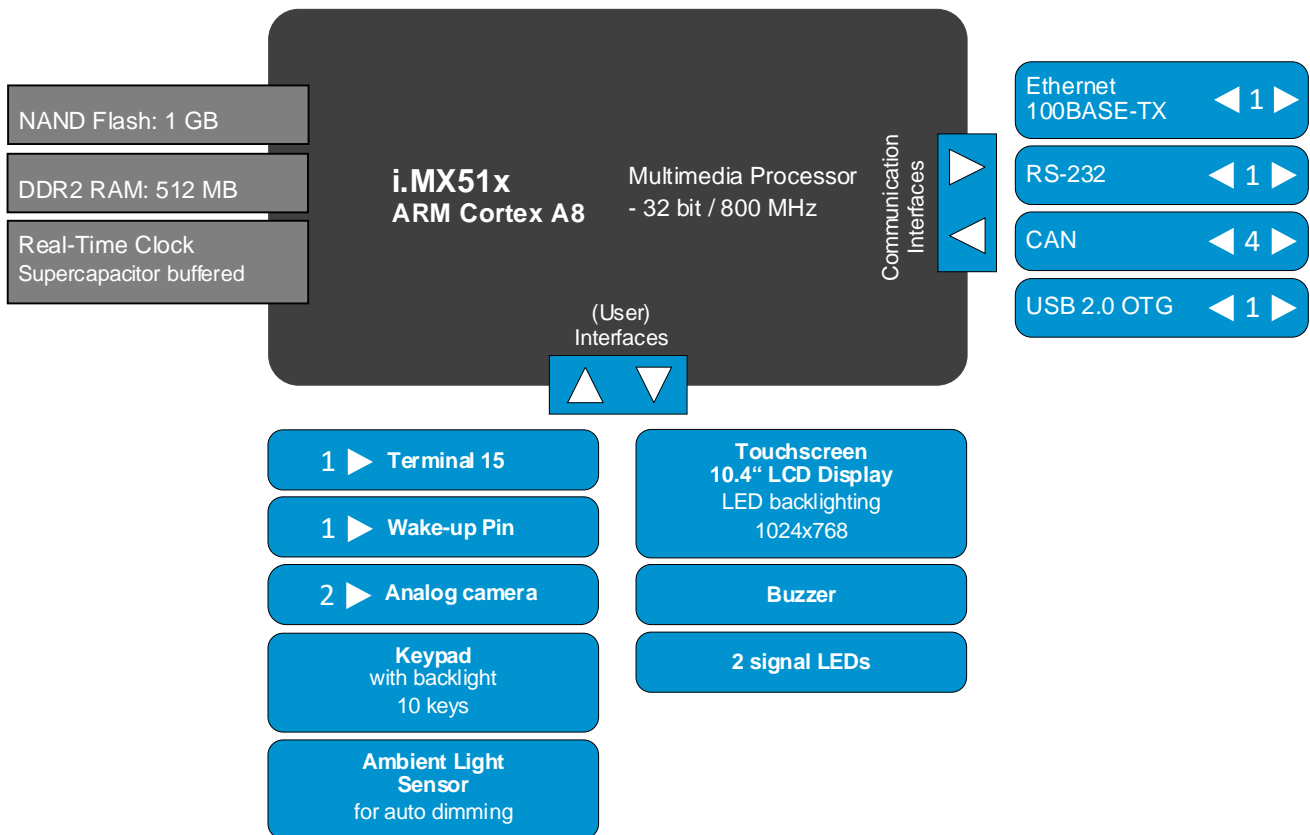
- 2 x video input for external composite video cameras
- 4 x CAN, 125 kbit/s up to 1 Mbit/s
- 1 x RS-232 and 1 x Ethernet 100 Mbit/s
- 1 x USB 2.0 OTG
- Terminal 15 for ignition input

Software

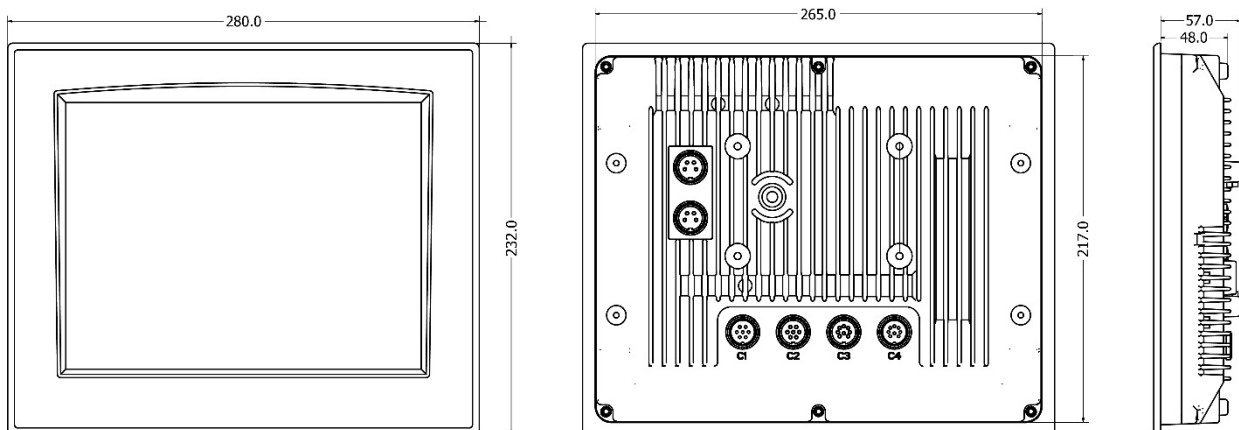
- Programmable in CODESYS[®] V3 with enhanced target visualization, including support for CANopen[®] master
- Display of .pdf-files and animations
- Picture-in-Picture functionality
- Capable of displaying two video feeds simultaneously
- Sleep Mode - wake-up to full operation within less than half a second

Reverse polarity protection and protection of all external interfaces (except USB) against short circuit to GND and BAT+.

Block Diagram



Housing front, back and side view with dimensions



Subject to changes and corrections. HY-eVision² 10.4, POLIARIZED is a product name of TTControl GmbH. CODESYS is a trademark of 3S Smart Software Solutions GmbH. All other trademarks are the property of their respective holders. To the extent possible under applicable law TTControl hereby disclaims any and all liability for the content and use of this product flyer.