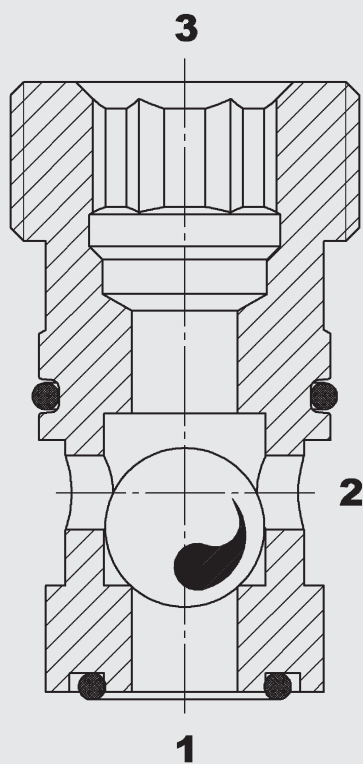


up to 70 l/min  
up to 350 bar

## FUNCTION



The shuttle valve WVE is a ball poppet shut-off valve.

It has two inlets (port 1 and 3) and one outlet (port 2). The inlet with the higher pressure pushes the closing element towards the other inlet. The inlet with the higher pressure is therefore always automatically connected to the outlet, and the other inlet is shut off.

## Shuttle Valve 3-Way Cartridge – 350 bar WVE-R1/8 to R1/2

### FEATURES

- For safe and leak-free shut-off
- Choice of three sizes for optimum adaptability to the system
- Space-saving installation

### SPECIFICATIONS\*

Operating pressure:	max. 350 bar
Nominal flow:	Type R1/8 = max. 10 l/min Type R1/4 = max. 20 l/min Type R1/2 = max. 70 l/min
Media operating temperature range:	min. -20 °C to max. +120 °C
Ambient temperature range:	min. -20 °C to max. +120 °C
Operating fluid:	Hydraulic oil to DIN 51524 Part 1, 2 and 3
Viscosity range:	min. 2.8 mm <sup>2</sup> /s to max. 800 mm <sup>2</sup> /s
Filtration:	Class 21/19/16 according to ISO 4406 or cleaner
MTTF <sub>d</sub> :	150 - 1200 years, according to DIN EN ISO 13849-1
Installation:	No orientation restrictions, preferably horizontal
Materials:	Valve body: high tensile steel Ball: roller bearing steel Seals: FKM
Cavity:	03030, 05030, 08730
Weight:	WVE-R1/8 = 0.005 kg WVE-R1/4 = 0.012 kg WVE-R1/2 = 0.045 kg

\* see "Conditions and instructions for valves" in brochure 53.000

## MODEL CODE

**WVE - R1/4 - 01 X**

### Basic model

Shuttle valve

### Cartridge size

R1/8 = 1/8"

R1/4 = 1/4"

R1/2 = 1/2"

Other thread sizes on request

### Type

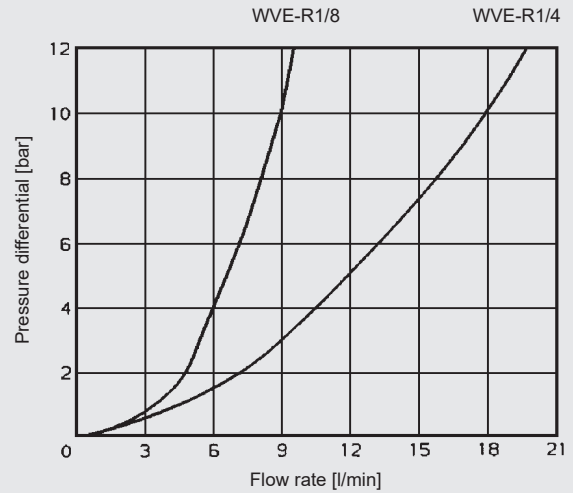
01 = standard (phosphated)

### Series

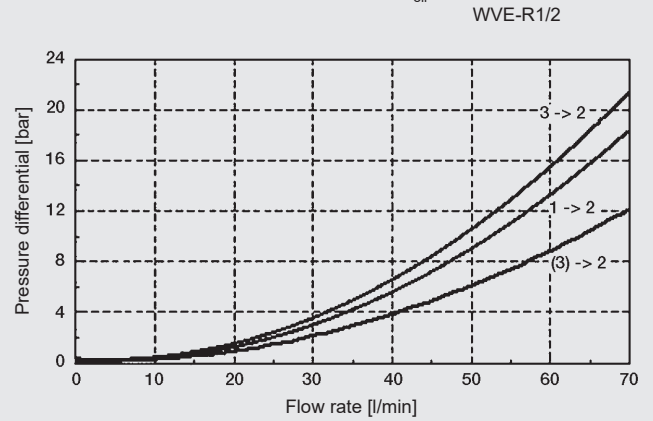
(determined by manufacturer)

## TYPICAL PERFORMANCE

Pressure differential  $\Delta p$  against flow rate  $Q$ , measured at constant flow setting  $v = 36 \text{ mm}^2/\text{s}$  and  $T_{\text{oil}} = 40 \text{ }^\circ\text{C}$



Pressure differential  $\Delta p$  against flow rate  $Q$ , measured at constant flow setting  $v = 33 \text{ mm}^2/\text{s}$  and  $T_{\text{oil}} = 46 \text{ }^\circ\text{C}$



### Standard models

Model code	Part No.
WVE-R1/8-010	710125
WVE-R1/2-010	3467544

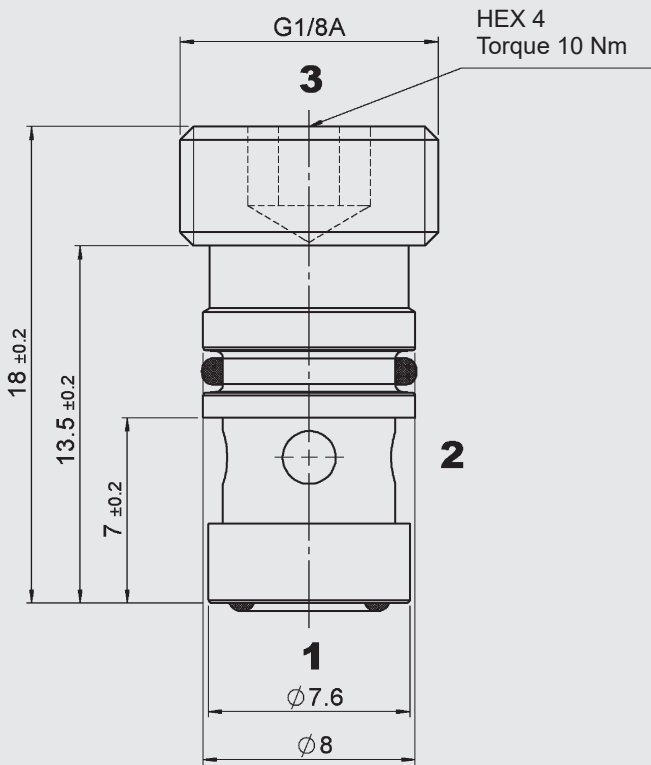
Other models on request

### Seal kits

Code	Part No.
SEAL KIT FOR WVE-R1/8-VITON	715879
SEAL KIT FOR WVE-R1/4-VITON	715880
SEAL KIT FOR WVE-R1/2-VITON	3957247

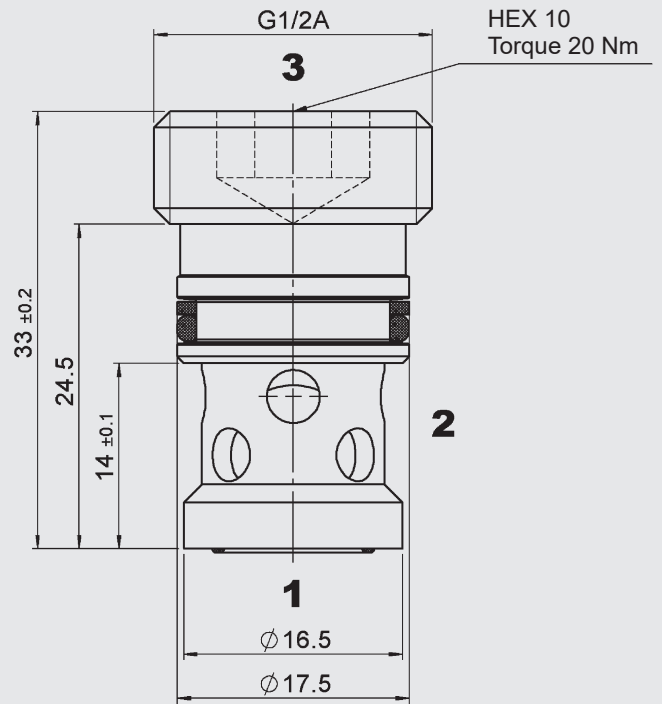
# DIMENSIONS

WVE-R1/8



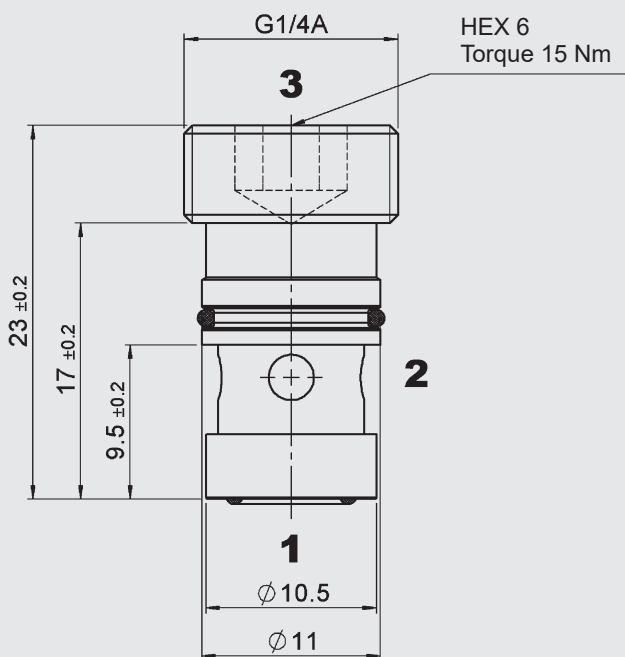
Millimeter  
Subject to technical modifications

WVE-R1/2



Millimeter  
Subject to technical modifications

WVE-R1/4



Millimeter  
Subject to technical modifications

