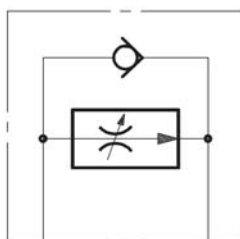




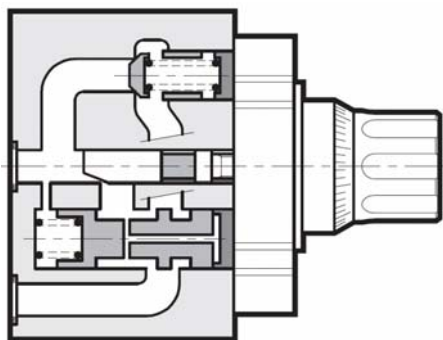
Flow Regulator pressure-compensated Subplate to ISO6263 VP-2SR10

SYMBOL



Up to 320 bar
Up to 70 l/min

FUNCTION



FEATURES

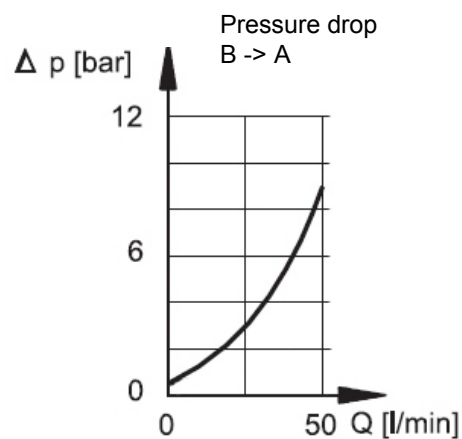
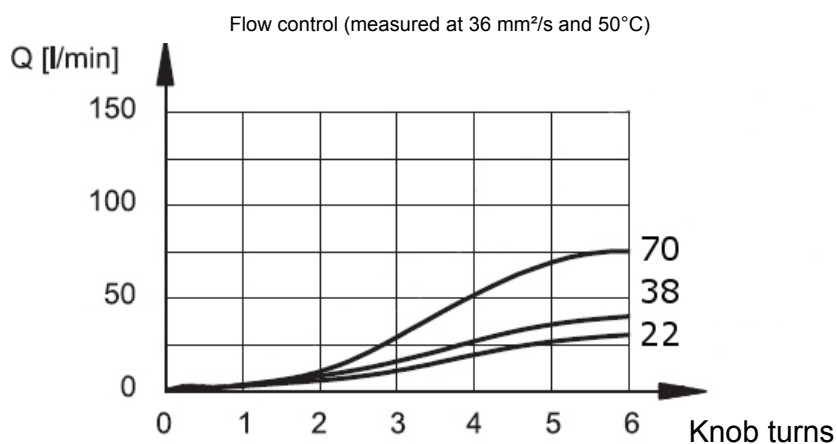
- Hole pattern to ISO 6263-06, Nominal size 10
- Adjustable flow control valve subplate mounting for flow control in one direction and full backflow in the opposite direction
- Independent from pressure by integrated pressure compensator
- Adjustable by turning knob

SPECIFICATIONS

Operating pressure:	max. 320 bar
Minimal pressure difference:	max. 10 bar between A and B
Flow rate:	max. /22 /38 / 70 l/min
Minimal adjustable Flow rate:	0,05 l/min
Operating fluid:	hydraulic oil to DIN 51524 part 1 and 2
Operating fluid temp. range:	-20°C up to max. +80°C
Ambient temperature range:	-20°C up to max. +50°C
Viscosity range:	10 – 400 mm ² /s is recommended
Filtration:	Class 20/18/15 according to ISO 4406 or cleaner
Weight:	3,6 kg
Cracking pressure of check:	0,5 bar

PERFORMANCE

measured at $v = 36 \text{ mm}^2/\text{s}$ and $T_{\text{oil}} = 50^\circ \text{C}$

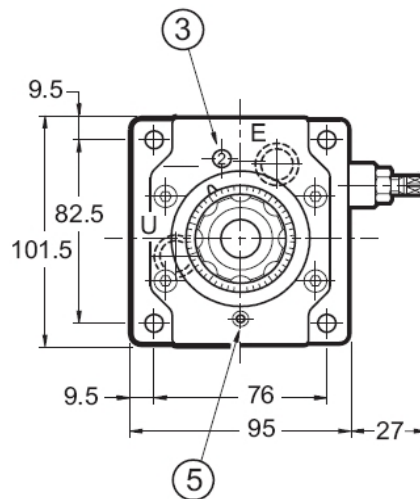
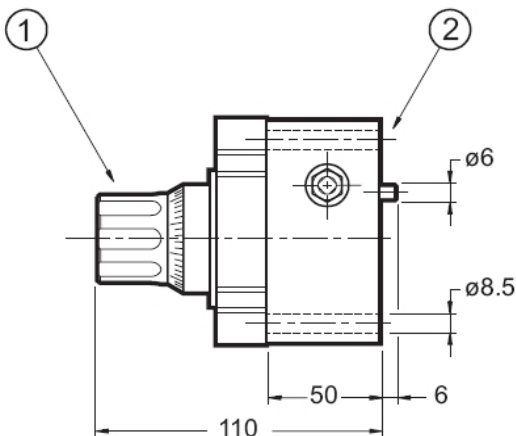


Standard models	Part No.
VP-2SR10 D22SR S01/V	3541177
VP-2SR10 D38SR S01/V	3541179
VP-2SR10 D70SR S01/V	3541182
Other models on request	

MODEL CODE

	VP-2SR10	D	22	S	R	S01 / V
Name and size	2-way flow control valve nominal size 10					
Curve	D = degressive					
Flow rate code	22 = 22 l/min 30 = 30 l/min 70 = 70 l/min					
Turning knob with scale						
Check valve	R (cracking pressure 0,5 bar)					
Type	S01 = Standard					
Seal material	V = FKM (Standard) N = NBR					

DIMENSIONS

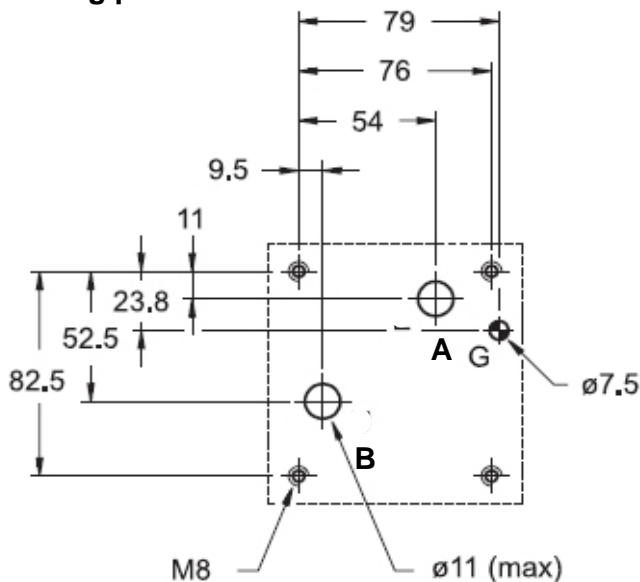


Turning knob (6 turns) by turning clockwise the flow is rising
Mounting plate with O-rings:
2x 15,06 x 2,62 FKM
Display
Fastening screw of the turning knob

fastening screws:
allen key M8x60 10.9
torque: 20 Nm + 2 Nm

All dimensions in mm.
Fastening elements are not in the scope of delivery.

Mounting plate to ISO 6263-06-05-+-97



Annotation
The technical information in this brochure are relating to the operating conditions and applications.
At deviant applications and/or operating conditions please contact the technical dept.
Technical information are subject to technical modifications.

HYDAC Fluidtechnik GmbH
Justus-von-Liebig-Str. 5
66280 Sulzbach / Saar
Tel.: 06897 / 509 -0
Fax: 06897 / 509 -598
Email: flutec@hydac.com