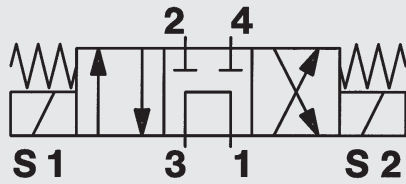


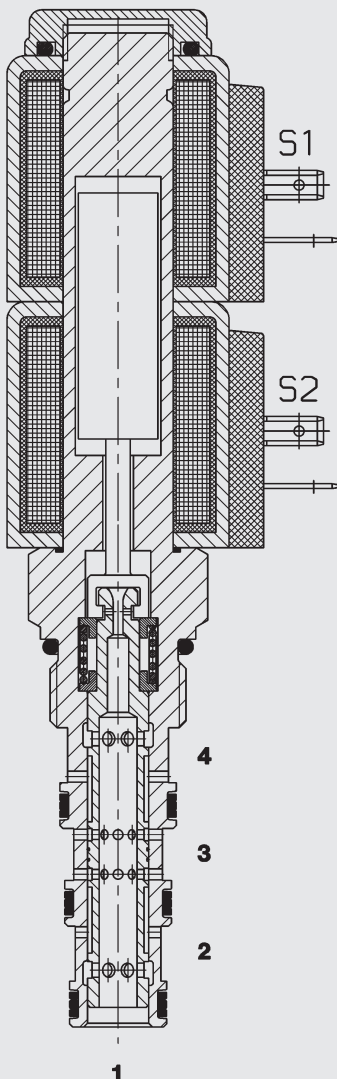
4/3 Solenoid Directional Valve **UNF** Spool Type, Direct-Acting SAE-10 Cartridge – 350 bar

WK10G-01



23 l/min
350 bar

FUNCTION



When de-energized, the valve allows flow from port 3 to 1, while blocking flow at ports 2 and 4. When solenoid coil S1 is energized, there is free flow through the valve from port 3 to 2 and from port 4 to 1. When solenoid coil S2 is energized, there is free flow through the valve from port 3 to 4 and from port 2 to 1.

FEATURES

- External surfaces zinc-nickel-plated and corrosion-proof
- Hardened and ground internal valve components to ensure minimal wear and extended service life
- Coil seals protect the solenoid system
- Wide variety of connectors available
- Excellent switching performance by high power HYDAC solenoid

SPECIFICATIONS*

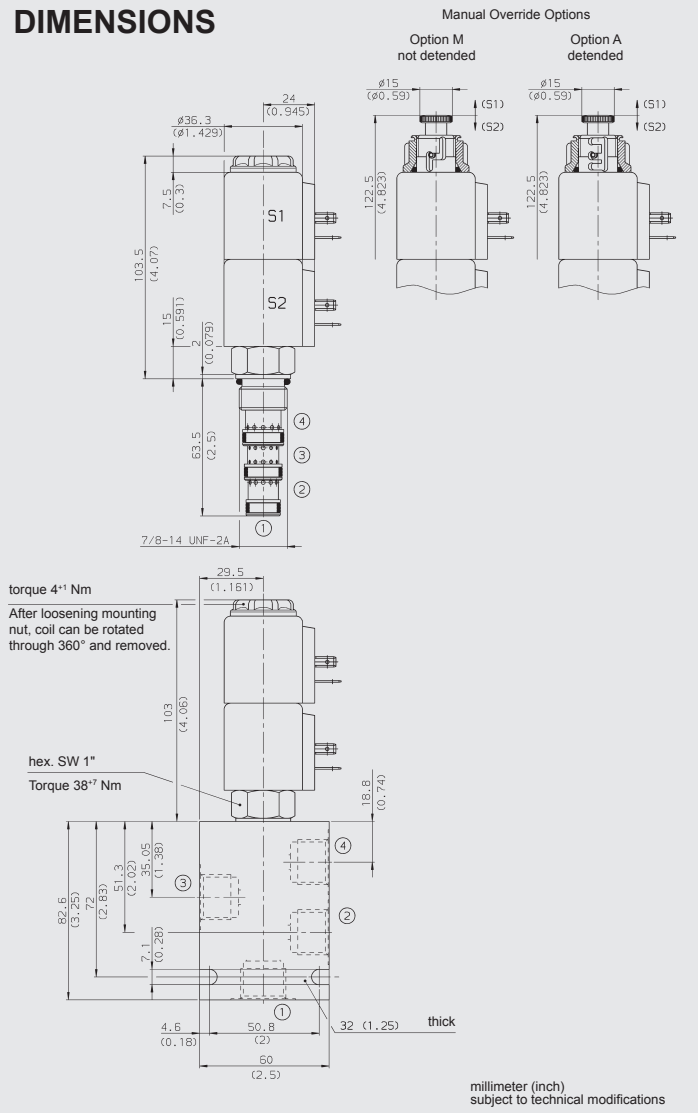
Operating pressure:	350 bar
Nominal flow:	max. 23 l/min
Leakage:	max. 280 cm ³ /min at 207 bar and 34 mm ² /s
Media operating temperature range:	min. -20 °C to max. +100 °C
Ambient temperature range:	min. -20 °C to max. +60 °C
Operating fluid:	Hydraulic oil to DIN 51524 Part 1 and 2
Viscosity range:	min. 7.4 to max. 420 mm ² /s
Filtration	Class 21/19/16 according to ISO 4406 or cleaner
MTTF _d :	150 years
Installation:	No orientation restrictions
Material:	Valve body: free-cutting steel Spool: hardened and ground steel Seals: NBR (standard) FKM (optional, media temperature range -20 °C to +120 °C) Back-up rings: PTFE Coil: Steel / Polyamide
Cavity:	FC10-4
Weight:	Valve complete: 0.67 kg Coil only: 0.19 kg

Electrical data:

Type of voltage:	DC solenoid, AC voltage is rectified using a bridge rectifier built into the coil
Current draw at 20 °C:	1.5 A at 12 V DC 0.8 A at 24 V DC
Voltage tolerance:	± 15 % of nominal voltage
Coil duty rating:	Continuous up to max. 115% of nominal voltage at max. 60° C ambient temperature
Coil type:	Coil...-40-1836 (2 pieces)

* see "Conditions and instructions for valves" in brochure 53.000

DIMENSIONS



MODEL CODE

WK10G - 01 M - C - N - 24 DG

Basic model

Directional spool valve, UNF

Type

01 = standard

Manual override

no details = without manual override

M = manual override, without detent

A = manual override, with detent

Body and ports*

C = cartridge only

SB4 = G1/2 ports, steel body

AB4 = G1/2 ports, aluminium body

Seals

N = NBR (standard)

V = FKM

Coil voltage

DC voltages

12 = 12 V DC

24 = 24 V DC

AC voltages (bridge rectifier built into the coil)

115 = 115 V AC

230 = 230 V AC

Other voltages on request

Coil connectors (type 40-1836)

DC: DG = DIN connector to EN 175301-803

DK = KOSTAL-threaded connection M27x1

DL = 2 flying leads, 457 mm long; 0.75 mm²

DN = Deutsch connector, 2-pole, axial

DT = AMP Junior Timer, 2-pole, radial

AC: AG = DIN connector to EN 175301-803

Other connectors on request

Standard models

Model code	Part No.
WK10G-01-C-N-12DG	3044464
WK10G-01-C-N-24DG	3038913
WK10G-01-C-N-230AG	3044482

Other models on request

*Standard in-line bodies

Code	Part No.	Material	Ports	Pressure
FH104-SB4	3037784	Steel, zinc-plated	G1/2	420 bar
FH104-AB4	3038097	Aluminium, clear anodized	G1/2	210 bar

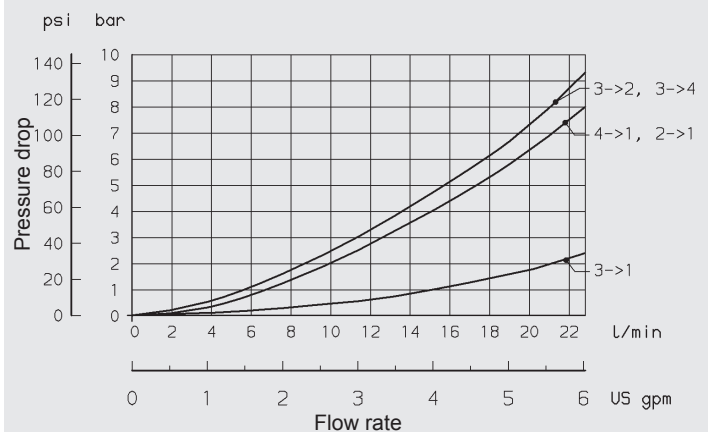
Other models on request

Seal kits

Code	Material	Part No.
FS UNF 10/N	NBR	3651557
FS UNF 10/V	FKM	3651559

PERFORMANCE

Measured at $v = 34 \text{ mm}^2/\text{s}$, $T_{oil} = 46 \text{ }^\circ\text{C}$



Note

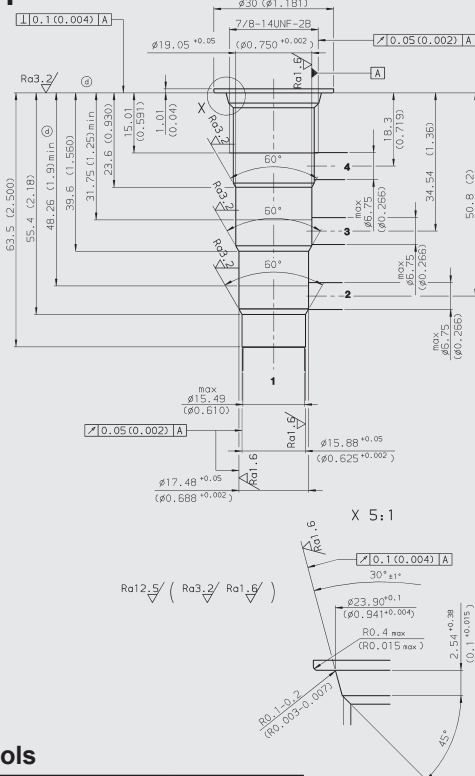
The information in this brochure relates to the operating conditions and applications described. For applications or operating conditions not described, please contact the relevant technical department.
Subject to technical modifications.

HYDAC Fluidtechnik GmbH

Justus-von-Liebig-Str.
D-66280 Sulzbach/Saar
Tel: 0 68 97 /509-01
Fax: 0 68 97 /509-598
E-Mail: flutec@hydac.com

CAVITY

FC10-4



Form tools

Tool	Part No.
Countersink FC10-4	176174
Reamer FC10-4	176175