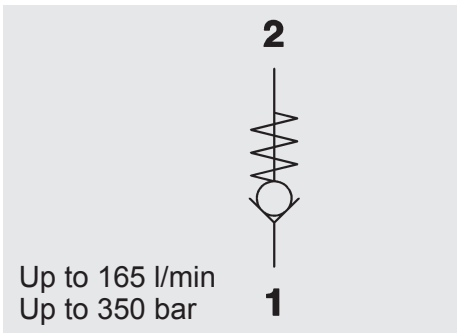
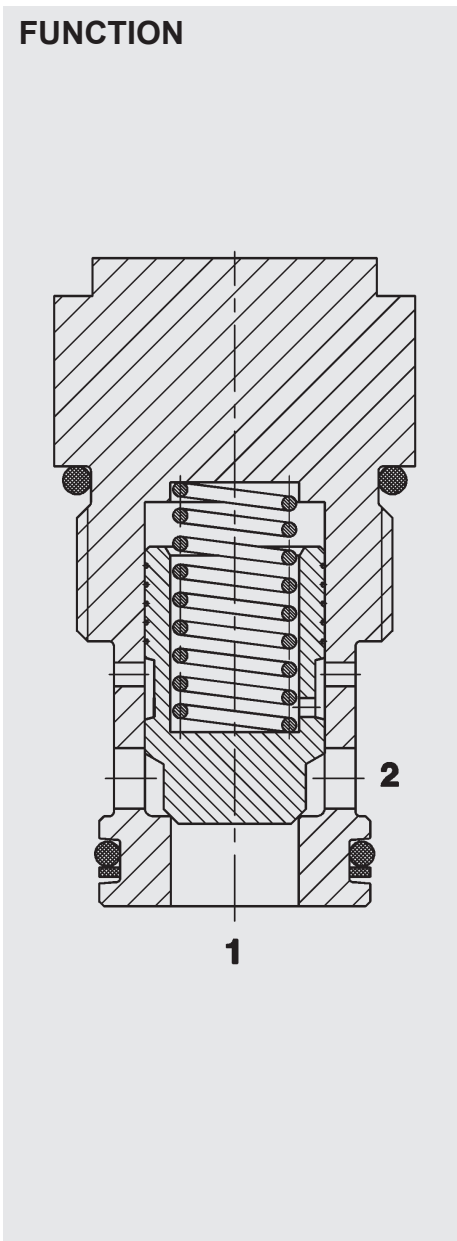


Check Valve Poppet Type Direct Acting SAE-16 Cartridge – 350 bar RV16A-01



FUNCTION



The check valve RV16A is a direct-acting, spring-loaded poppet valve.

When there is no flow through the valve, the spring holds the cone poppet in the closed position and therefore shuts off port 2 from port 1. The valve opens when the pressure at port 1 is higher than the pressure at port 2, including the pressure created by the spring force.

FEATURES

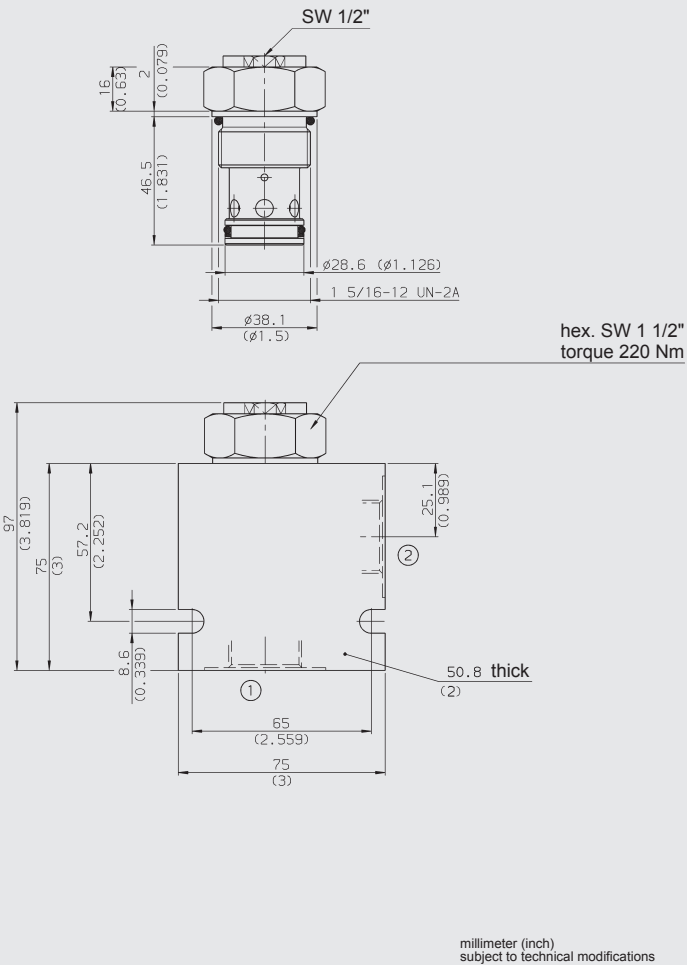
- Main application is to prevent uncontrolled movement or creeping of loaded cylinders and also to shut off sections of the system
- Excellent stability throughout the entire flow range
- External surfaces zinc-nickel plated
- Hardened and ground valve components to ensure minimal wear and extended service life
- Low pressure drop due to CFD optimized flow path

SPECIFICATIONS

| | |
|------------------------------------|--|
| Operating pressure: | max. 350 bar |
| Nominal flow: | max. 165 l/min |
| Leakage: | max. 0.1 cm ³ /min at 350 bar |
| Standard cracking pressures: | 05 = 0.35 bar 15 = 1.0 bar 30 = 2.0 bar 70 = 5.0 bar 100 = 7.0 bar |
| Media operating temperature range: | min. -30 °C to max. +100 °C |
| Ambient temperature range: | min. -30 °C to max. +100 °C |
| Operating fluid: | Hydraulic oil to DIN 51524 Part 1 and 2 |
| Viscosity range: | min. 7.4 mm ² /s to max. 420 mm ² /s |
| Filtration: | Class 21/19/16 according to ISO 4406 or cleaner |
| MTTF _d : | 150 years* |
| Installation: | No orientation restrictions |
| Materials: | Valve body: high tensile steel Poppet: hardened and ground steel Seals: NBR (standard) FKM (optional, media temperature range -20 °C to +120 °C) Back-up rings: PTFE |
| Cavity: | FC16-2 |
| Weight: | 0.345 kg |

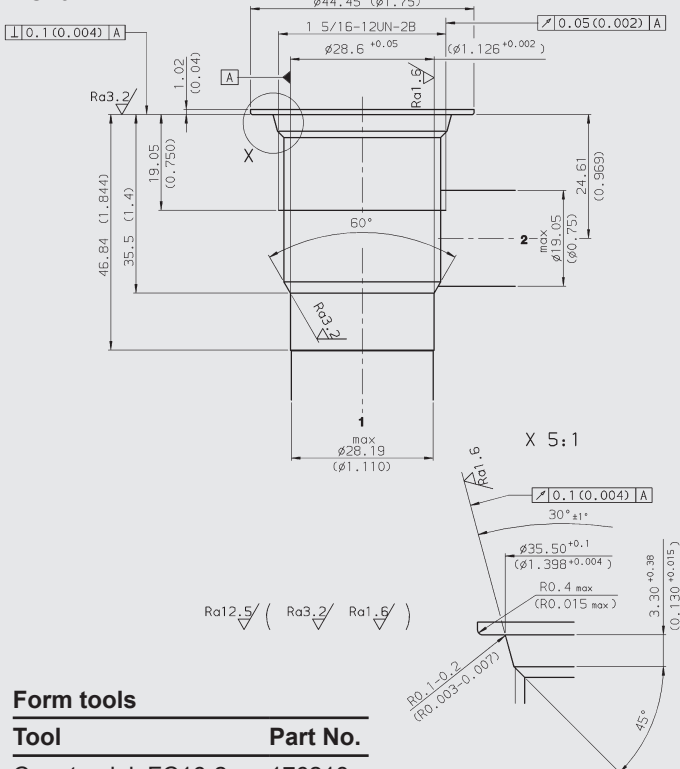
* see "Conditions and instructions for valves" in brochure 5.300

DIMENSIONS



CAVITY

FC16-2



Form tools

| Tool | Part No. |
|--------------------|----------|
| Countersink FC16-2 | 176218 |
| Reamer FC16-2 | 176219 |

millimeter (inch)
subject to technical modifications

MODEL CODE

RV16A - 01 C - N - 05

Basic model

Check valve, poppet type, NG16

Type

01 = standard

Body and Ports*

C = Cartridge only

SB8 = G1 ports, steel body

AB8 = G1 ports, aluminium body

Seals

N = NBR (standard)

V = FKM (optional)

Cracking pressure

05 = 0.35 bar (5 psi)

15 = 1.0 bar (15 psi)

30 = 2.0 bar (30 psi)

70 = 5.0 bar (70 psi)

100 = 7.0 bar (100 psi)

Other pressure settings on request

Standard models

| Model code | Part No. |
|------------------|----------|
| RV16A-01-C-N-05 | 3015349 |
| RV16A-01-C-N-15 | 3015350 |
| RV16A-01-C-N-30 | 3015351 |
| RV16A-01-C-N-70 | 3015352 |
| RV16A-01-C-N-100 | 3555397 |

Other models on request

*Standard in-line bodies

| Code | Part No. | Material | Ports | Pressure |
|-----------|----------|---------------------|-------|----------|
| FH162-SB8 | 3032496 | Steel, zinc-plated | G1 | 420 bar |
| FH162-AB8 | 3037193 | Aluminium, anodized | G1 | 210 bar |

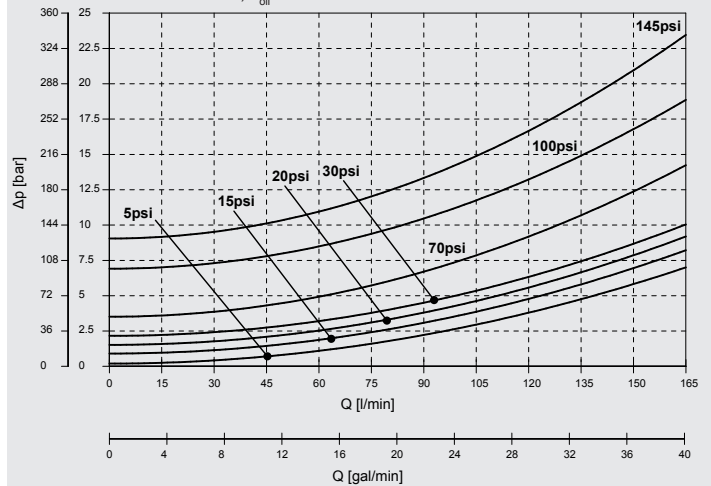
Other line bodies on request

Seal kits

| Code | Material | Part No. |
|------------------|----------|----------|
| FS162-N SEAL KIT | NBR | 3052427 |
| FS162-V SEAL KIT | FKM | 3051758 |

PERFORMANCE

Measured at $v = 34 \text{ mm}^2/\text{s}$, $T_{\text{oil}} = 46 \text{ }^\circ\text{C}$



Note

The information in this brochure relates to the operating conditions and applications described. For applications or operating conditions not described, please contact the relevant technical department.
Subject to technical modifications.

HYDAC Fluidtechnik GmbH

Justus-von-Liebig-Str.
D-66280 Sulzbach/Saar
Tel: 0 68 97 /509-01
Fax: 0 68 97 /509-598
E-Mail: flutec@hydac.com